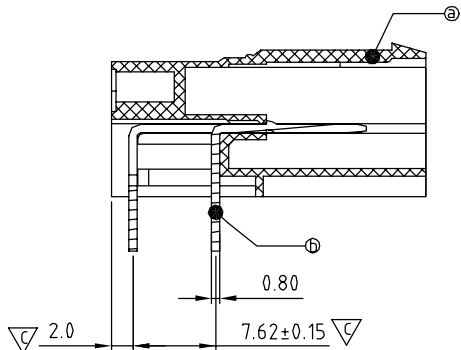
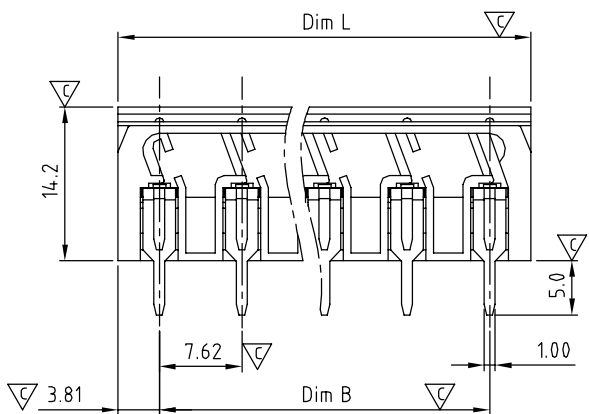


P.C.B LAYOUT



SIGN	DATE	DESCRIPTION	APPROVER
△	10/6'06	Added cULus logo	Steady
△	1/31'07	Soldering temperature changed from 245° to 250°	Tony
△	04/08'09	The current rating and operating temperature are changed	Jacke
△	04/08'09	Add the tolerance table	Jacke
△	2009.12.19	The material is changed from Brass to Copper	Jacke
△	07/31'12	Added TUV standard	Chen Bo
△	07/31'12	The IEC spec is removed	Chen Bo
△	07/31'12	Soldering temperature changed from 250°C±10°C/5Sec to 260°C±5°C/5Sec	Chen Bo

THIS IS CAD DRAWING, DO NOT REVISE MANUALLY!!!

Material

- Item a Male contact pin : Copper with Tin plated
- Item b Terminal (housing):Thermoplastic (UL94V-0)

- △ Electrical

	cULus	TUV
● Voltage rating:	300V	800V
● Current rating:	32A	32A
● Withstanding Voltage:	1.6KV	6KV
● Operating temperature:	-40°C to +115°C	
● Soldering temperature:	260°C±5°C/5 Sec	
- △ Safety Approval:
- Critical dimension: ∇

VC xx 00 x 0 xxxx G

- Solid Block
 - 02 2 POLES
 - 03 3 POLES
 -
 - 16 16 POLES
- COLOR
- 0 Black (RAL9005)
 - 2 Red (RAL3001/D)
 - 3 Orange (RAL2011/P)
 - 4 Yellow (RAL1018/A)
 - 5 Green (RAL6018/T)
 - 6 Blue (RAL5015/A)
 - 8 Grey (RAL7035/D)
- G RoHS compliant (lead<4%)
In copper Alloy
- 000 0 Standard @ Logo
 - 000 A Standard ANY Logo
- Any special item by customer request, please contact sales department.

DIM		TOL			
		2P-5P	6P-10P	11P-13P	14P-16P
Dim L	N×7.62	±0.20	±0.30	±0.35	±0.40
Dim B	(N-1)×7.62	±0.20	±0.30	±0.35	±0.40

ANYTEK

CUSTOMER COPY

ALL RIGHTS RESERVED. REPRODUCTION OR ISSUE TO THIRD PARTIES IN ANY FORM WHATSOEVER IS NOT PERMITTED WITHOUT WRITTEN AUTHORITY FROM THE PROPRIETOR. PROPERTY OF ANYTEK TECHNOLOGY CO., LTD

TITLE		VC 7.62 SERIES 90D Right angle			
PART NO.	VCxx00x0xxxxG	DWG NO.	8VC0001		
APPROVED	CHECKED	DESIGNED	DRAWN	CUST NO.	Tolerance
		Chen Bo 07/31'12	Chen Bo 07/31'12		X. ±0.50
					UNIT: mm
				SHEET: 01/01	X.XX ±0.10
				REV.: H	X° ±1°