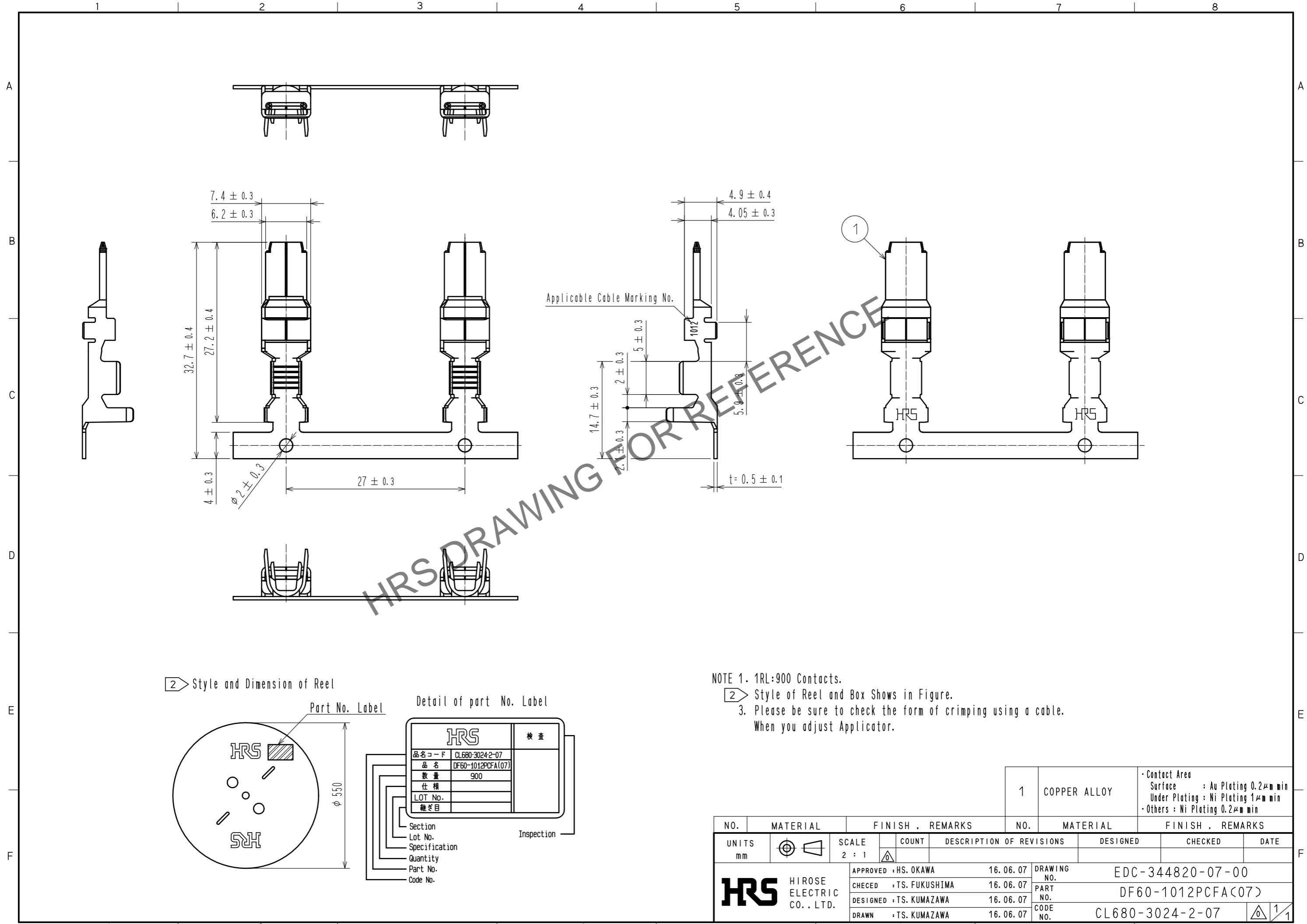
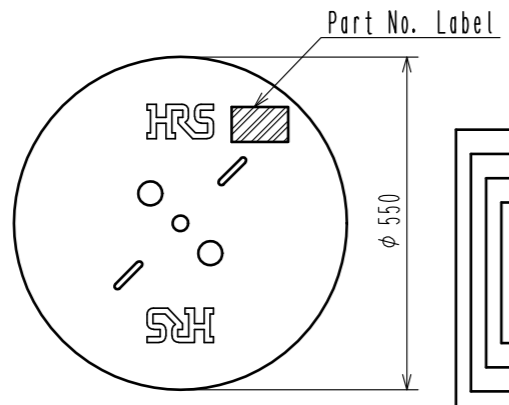


Feb.1.2024 Copyright 2024 HIROSE ELECTRIC CO., LTD. All Rights Reserved.
 In case of consideration for using Automotive equipment / device which demand high reliability, kindly contact our sales window correspondents.



2 Style and Dimension of Reel



Detail of part No. Label

HRS		検査
品名コード	CL680-3024-2-07	
品名	DF60-1012PCFA(07)	
数量	900	
仕様		
LOT No.		
継ぎ目		

- Section
 - Lot No.
 - Specification
 - Quantity
 - Part No.
 - Code No.
- Inspection

- NOTE 1. 1RL:900 Contacts.
 2 Style of Reel and Box Shows in Figure.
 3. Please be sure to check the form of crimping using a cable.
 When you adjust Applicator.

NO.		MATERIAL	FINISH . REMARKS	NO.	MATERIAL	FINISH . REMARKS
UNITS mm			SCALE 2 : 1	DESIGNED		CHECKED
HRS HIROSE ELECTRIC CO., LTD.		APPROVED : HS. OKAWA	16.06.07	DRAWING NO.		EDC-344820-07-00
		CHECED : TS. FUKUSHIMA	16.06.07	PART NO.		DF60-1012PCFA(07)
		DESIGNED : TS. KUMAZAWA	16.06.07	CODE NO.		CL680-3024-2-07
		DRAWN : TS. KUMAZAWA	16.06.07			1/1