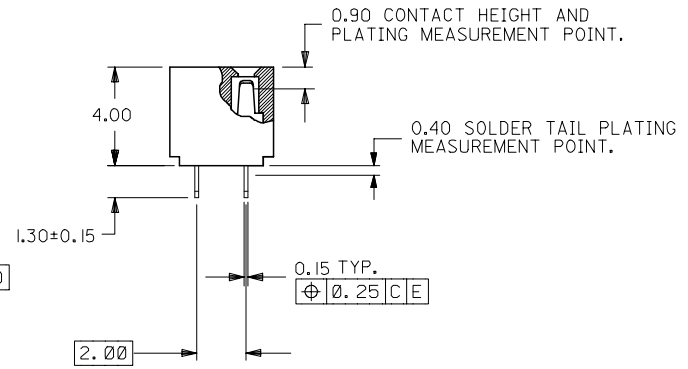
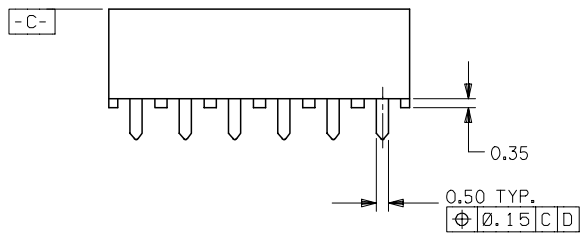
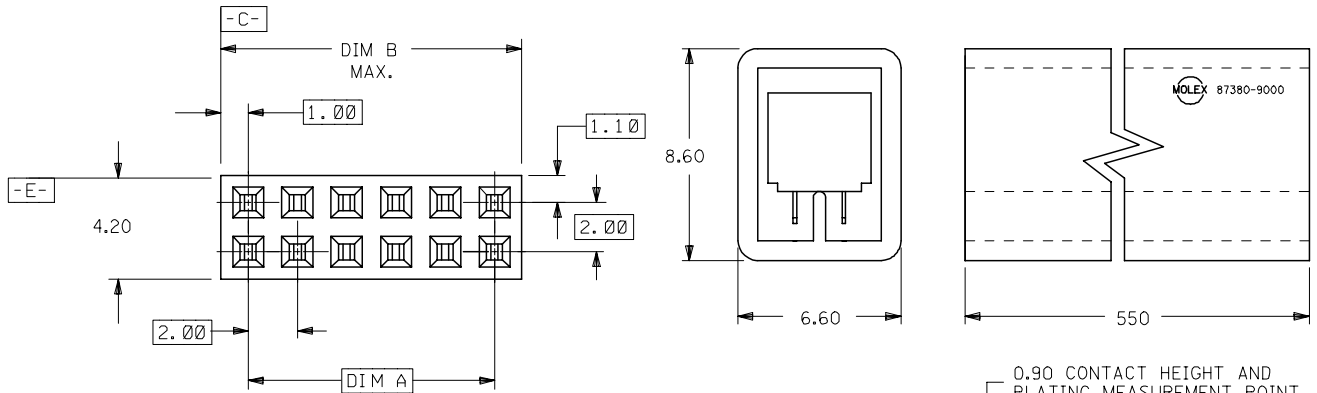
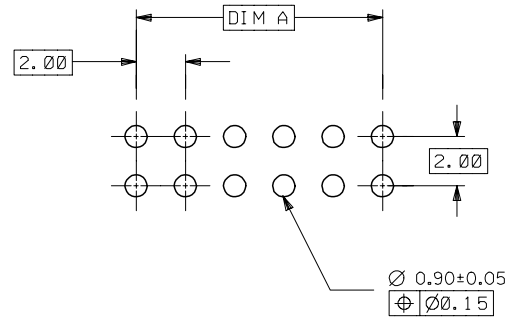


PART NO.	CKT. SIZE	DIM A	DIM B
87380-120*	I2	10.00	12.00



**NOTES:**

- I2 CIRCUIT SIZE SHOWN FOR ILLUSTRATION ONLY. SEE CHART FOR AVAILABLE PART SIZES.
- PRODUCT SPECIFICATION PS-87380 APPLIES.



**RECOMMENDED PCB LAYOUT**  
PC BOARD THK. IS 0.89 ± 0.13mm.

PART NO.	OVERALL	CONTACT AREA	SOLDERTAIL AREA
87380-**06	1.27um/50u" MIN NI	0.38um/15u" MIN GOLD	2.54um/100u" MIN TIN

VOID PART NUMBER EC NO: S2005-0823 DRAWN: LQIAO 2005/05/26 CHKD: PTLIM 2005/05/27 APPR: SLOW 2005/05/28	QUALITY SYMBOLS ▽=0 ▽C=0	GENERAL TOLERANCES (UNLESS SPECIFIED)		DIMENSION STYLE MM ONLY		SCALE	DESIGN UNITS	THIRD ANGLE PROJECTION	
		mm	INCH	DRAWN BY	DATE	NTS	METRIC	◎	□
REV DESCRIPTION		4 PLACES ± --- ± ---		JKACHL I	1991/03/19	TITLE SALES, MGRID 2MM RECEPT. TOP ENTRY T/H 4.00MM HT. 1.30MM SOLDERTAIL	MOLEX INCORPORATED	DOCUMENT NO. SD-87380-**01	SHEET NO. 1 OF 1
		3 PLACES ± --- ± ---		CHECKED BY	DATE				
		2 PLACES ± 0.13 ± ---		JNG	1991/03/20				
		1 PLACE ± --- ± ---		APPROVED BY	DATE				
		ANGULAR ± 3 °		YTAP	1991/03/20				
DRAFT WHERE APPLICABLE MUST REMAIN WITHIN DIMENSIONS		SEE TABLE		MATERIAL NO.					
		SIZE A3		THIS DRAWING CONTAINS INFORMATION THAT IS PROPRIETARY TO MOLEX INCORPORATED AND SHOULD NOT BE USED WITHOUT WRITTEN PERMISSION					