

Type ANT80

Automotive Blade Fuse

Tiny (Micro2 style)



www.optifuse.com (619) 593-5050

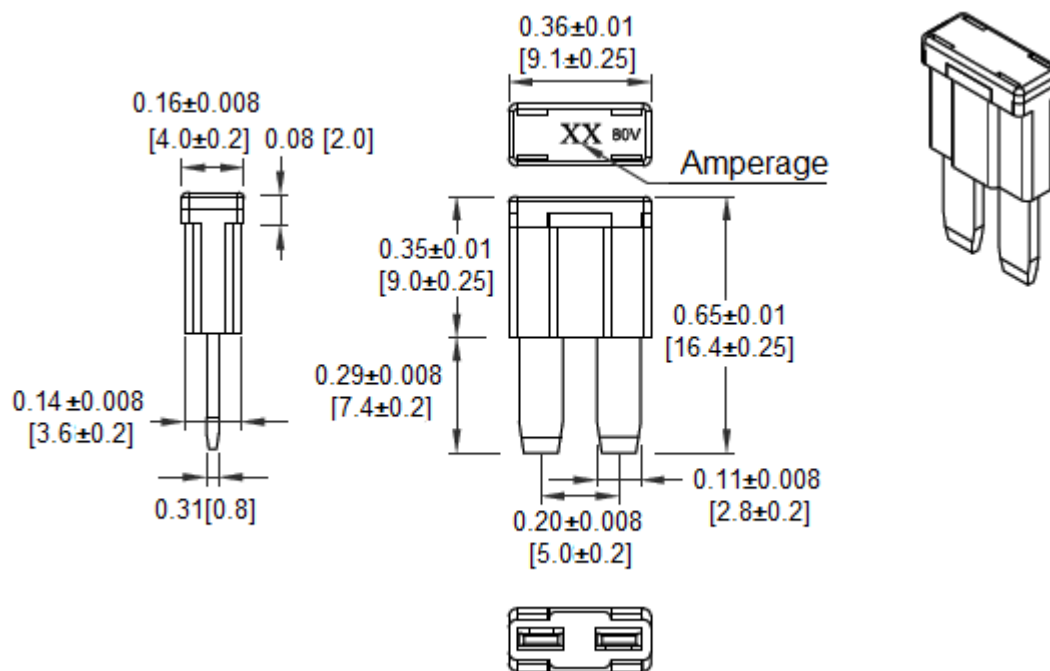
Specifications:

- Voltage: 80V DC
- Amperage: 1A, 2A, 3A, 4A, 5A, 7.5A, 10A, 15A, 20A
- Body Material: Nylon with 25% Fiberglass
- Cover Material: Nylon with 25% Fiberglass, Red
- Metal Material: Copper Alloy, Tin plated
- Interrupting Rating: 1000A @ 80 VDC

Part Number	Amperage	Body Color
ANT80-1A	1A	Black
ANT80-2A	2A	Gray
ANT80-3A	3A	Violet
ANT80-4A	4A	Pink
ANT80-5A	5A	Tan
ANT80-7.5A	7.5A	Brown
ANT80-10A	10A	Red
ANT80-15A	15A	Blue
ANT80-20A	20A	Yellow

Time Characteristics:		
% of Rated Current	Min Hold Time	Max Hold Time
110%	100h	
135%	750ms	1800s
200%	150ms	5s
350%	40ms	500ms
600%	20ms	100ms

Mechanical Dimensions: Inches [mm]



Warning:



-Operation beyond the specified maximum ratings or improper use may result in damage and possible electrical arcing and/or flame.

-Avoid contact of device with chemical solvent. Prolonged contact will damage the device performance.