

Type ANM80

Automotive Blade Fuse

Miniature



www.optifuse.com (619) 593-5050

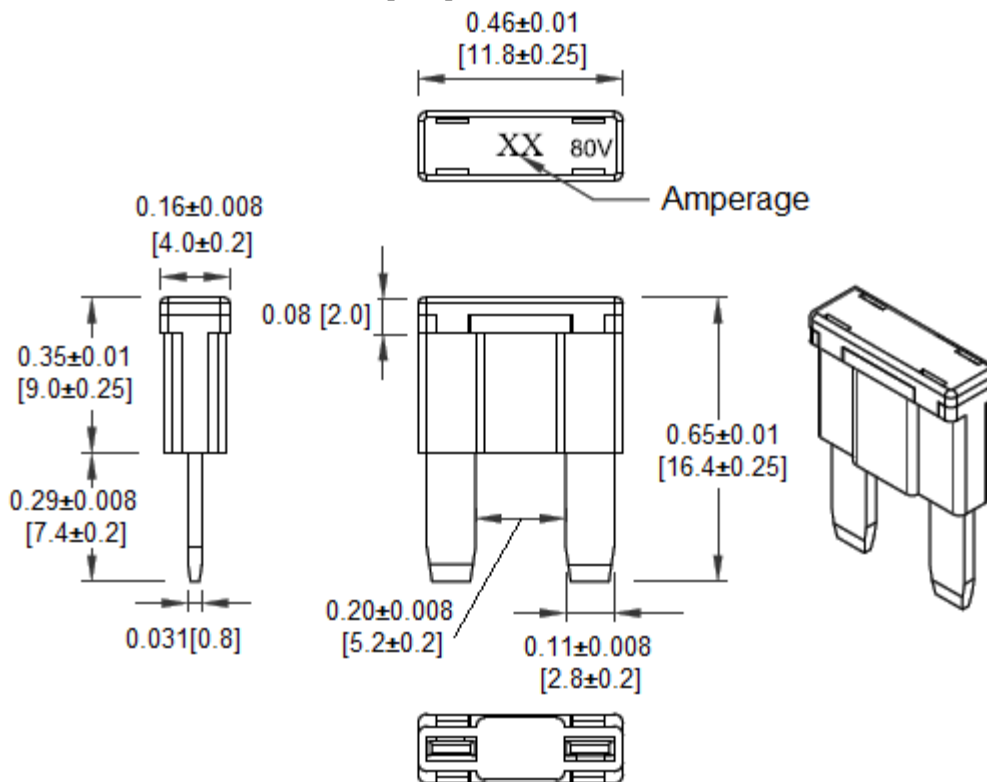
Specifications:

- Voltage: 80VDC
- Amperage: 500mA, 1A, 2A, 3A, 4A, 5A, 7.5A, 10A, 15A, 20A, 25A, 30A
- Body: Nylon with 25% Fiberglass
- Cover: Nylon with 25% Fiberglass, Red
- Terminals: Copper alloy, Tin plated
- Interrupt Rating – 1000A @ 80 VDC

Part Number	Amperage	Body Color
ANM80-500mA	500mA	Dark Blue
ANM80-1A	1A	Black
ANM80-2A	2A	Gray
ANM80-3A	3A	Violet
ANM80-4A	4A	Pink
ANM80-5A	5A	Tan
ANM80-7.5A	7.5A	Brown
ANM80-10A	10A	Red
ANM80-15A	15A	Blue
ANM80-20A	20A	Yellow
ANM80-25A	25A	Clear
ANM80-30A	30A	Green

Time Characteristics:		
% of Rated Current	Min Hold Time	Max Hold Time
110%	100h	~
135%	750ms	1800s
200%	150ms	30s
350%	40ms	500ms
600%	20ms	100ms

Mechanical Dimensions: Inches [mm]



Warning:



- Operation beyond the specified maximum ratings or improper use may result in damage and possible electrical arcing and/or flame.
- Avoid contact of device with chemical solvent. Prolonged contact will damage the device performance.