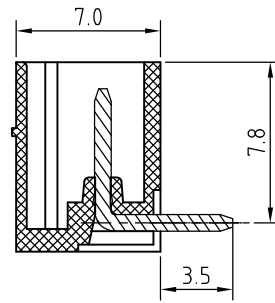
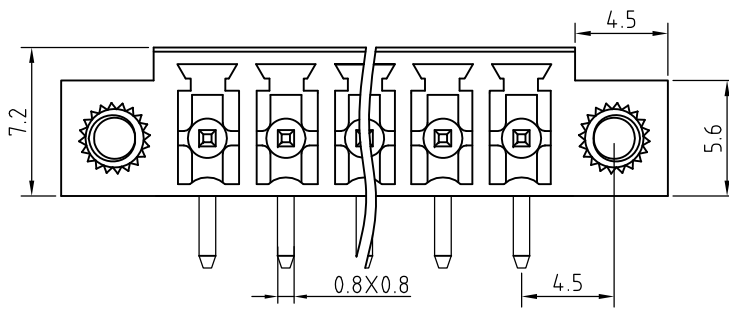
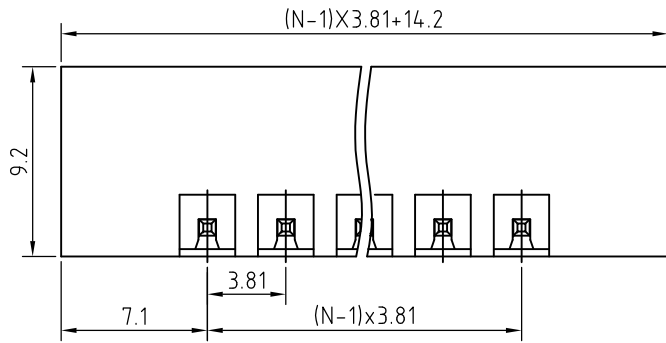
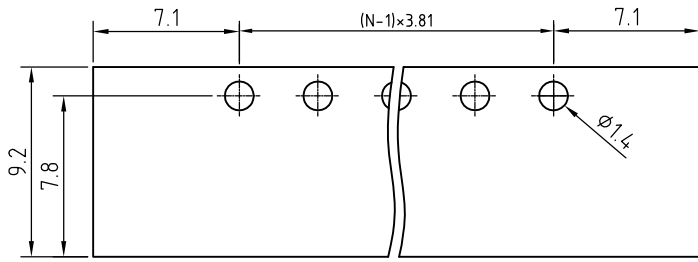


Transfer or duplication of this document as well as the utilisation or communication of its content are not permitted unless express consent is granted. Violations give rise to claims for damages. All rights reserved in case of patent, utility model or design patent registrations.



N=Number of contacts



P.C.B. LAYOUT

Technical Data:
Electrical
 Pitch: 3.81mm
 Voltage rating: 300V
 Current rating: 12 Amps
 Withstanding Voltage: 2500VAC(1min)
Mechanical:
 Operating temperature: -40°C to +105°C
 Soldering temperature:
 Temperature= 250°C±10°C /5 seconds max
 Safety approval:
 RoHS Compliance

Part No:
OSTOQXX3551

No. of Poles	COLOR
02 2 Poles	0: Black
03 3 Poles	2: Red
...	3: Orange
24 24 Poles	4: Yellow
	5: Green (Standard)
	6: Blue
	8: Grey

Nonstandard colors
 Mins could apply

3	Flange nut	Copper Alloy			2
2	Pin	Copper Alloy		Tin plated	1xN
1	Body	PA66-30%GF UL94V			1
ITEM	NAME OF PART	MATERIAL	NOTES		Q'TY
DWG.	DATE	UNITS:	MM	SHEET: 1 OF 1	Tolerance
CHK.	DATE	SCALE:	NONE 4:1 (:)	REV.: A	X. ±0.50
APP.	DATE	TITLE:	OSTOQ SERIES 3.81MM WITH FLANGE RIGHT ANGLE		X.XX ±0.30
		PART NO.	OSTOQXX3551		X° ±0.10
		DWG NO.	OSTOQXX3551.DWG		X° ±1°

REV	△	SIGN	DESCRIPTION	CHK.	DATE



ON-SHORE TECHNOLOGY, INC.