

Transfer or duplication of this document as well as the utilisation or communication of its content are not permitted unless express consent is granted. Violations give rise to claims for damages. All rights reserved in case of patent, utility model or design patent registrations.



**Ratings**

Use Group	B	D
Rated Voltage	300V	300V
Rated Current	10A	10A

**Insulating Material**

Material	PA 6.6
Flammability Class	UL 94 V-0

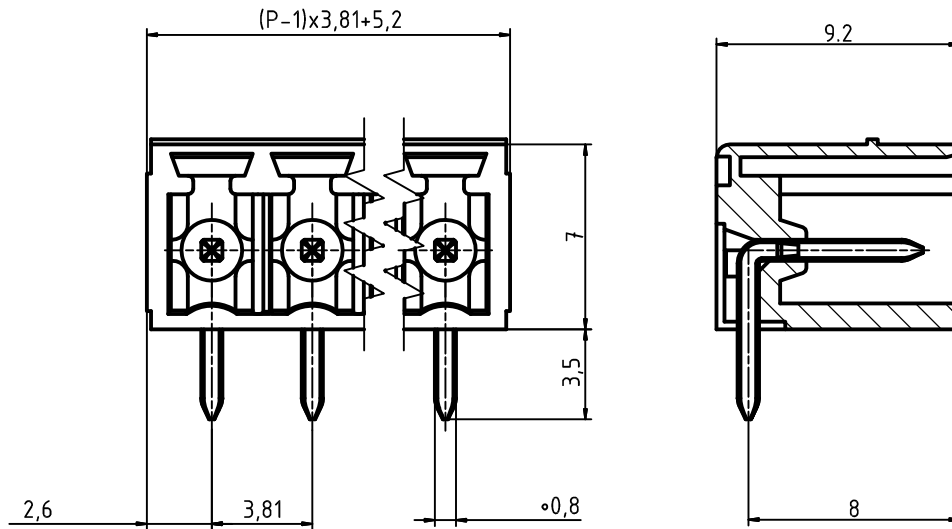
**Materials**

Contact Pin	Copper Alloy
Temperature Range	-40° C ~ 105° C

RoHS Compliant

Part No.: **EDSTLZ1550/X**

No. of Poles  
 02 2 Poles  
 03 3 Poles  
 ...  
 20 20 Poles



DWG	WF. Zhang	DATE	2017.09.11	UNITS:	MM	SHEET:	1 OF 1	Tolerance
CHK.	WF. Zhang	DATE	2017.09.11	SCALE:	NONE 5:1 ( : )	REV:	A	X. ±0.50
APP.		DATE		TITLE:	EDSTLZ1550 series 3.81 mm header			X.XX ±0.30
				PART NO.	EDSTLZ1550/X			X* ±1.0
				DWG NO.	EDSTLZ1550/X.DWG			±1°

⚠			
SIGN	DESCRIPTION	CHK.	DATE



ON-SHORE TECHNOLOGY, INC.

