

SC

SINGLEMODE FIBER OPTIC CONNECTOR

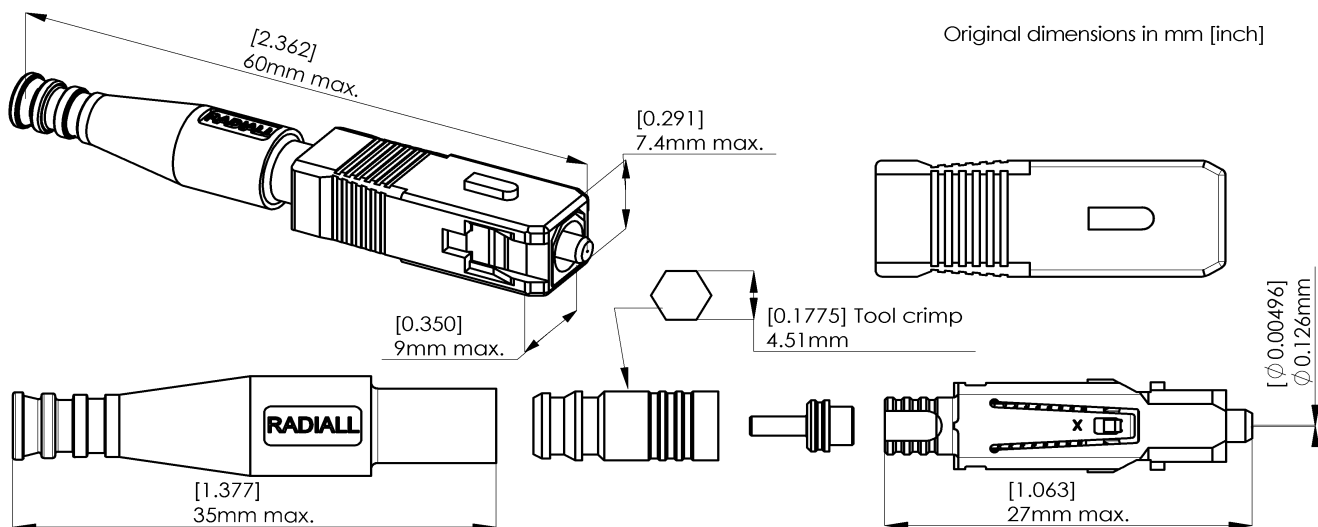
outer plug body and boot : color blue

Packaging :
1

F 7 2 8 0 0 2 7 0 0

Packaging :
100

F 7 2 8 1 0 2 7 0 0



Original dimensions in mm [inch]

GENERAL

Type : IEC 61754-4 type SC
Singlemode zirconia ceramic ferrule (20mm pre-radius)
Push-pull latching system
Floating ferrule
360° tunable (adjustable to 6 positions for optimization of random insertion loss)

Ferrule size : 126µm
Fiber size : 9,5/125µm singlemode

Cable : DIA 2,7 to 3mm cable, tight or semi loose structure

Cabling proc. : Refer to 503 08 400 (D 6121 oe) assembly instruction manual

CHARACTERISTICS (Dependant on fiber or cable construction)

	STD		TUNED (IEC 61300-2-40)	
	mean	standard deviation	mean	standard deviation
Attenuation at 1310 and 1550nm, LD	< 0,20 dB	0,14 dB	< 0,20 dB	0,14 dB
	<i>(Attenuation plug mated with reference plug IEC 61300-3-4)</i>			
	max. < 0,8dB,97%	0,25 dB	< 0,6dB,99%	0,13dB
	<i>(Attenuation of random mated connectors IEC 61300-3-34)</i>			
Repeatability	0,10 dB		0,10 dB	
Return loss	PC>30 dB		PC>30dB	
	SPC>40 dB		SPC>40dB	
	UPC>50 dB		UPC>50dB	

Mechanical : Mechanical endurance 200 matings
Cable retention 100N
Environmental : Temperature range (storage/operating) -40°C to +85°C / -40°C to +70°C

(Performance and specification: see document GEN - F728 001)

CREATION							
N° :							
PEN/EP : CAT.							
Name : PB							
Date : 11 Aug. 99							
App. : LV	Issue	Revisions	Name	App.			

RADIALL

101, rue P. Hoffmann - Z.I. Ouest
93116 ROSNY / BOIS Cedex-France
Phone : (0033) 149353535
Fax : (0033) 48546363