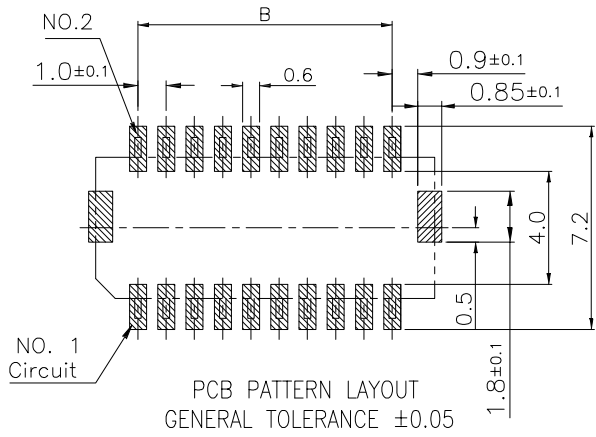
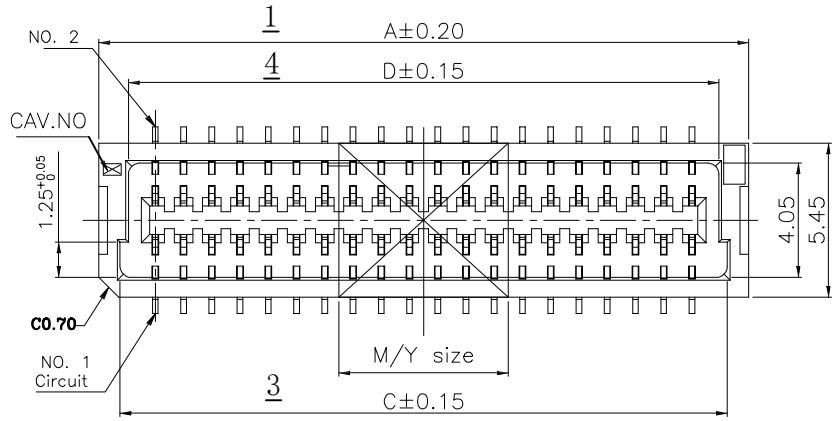
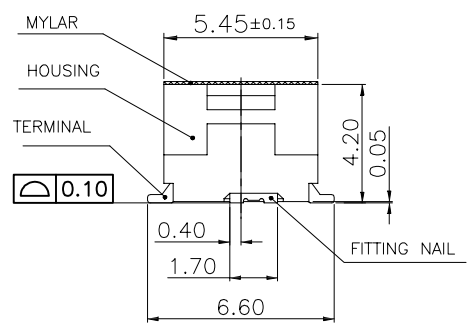
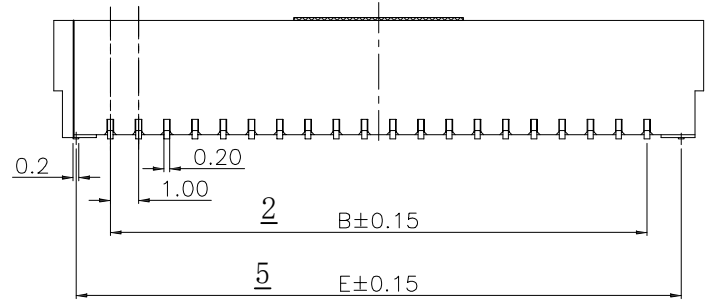


| 修 订 | 标 记 | 修 改 描 述 | 签 名 | 日 期 |
|-----|------|----------------------|-----------|------------|
| REV | MARK | REVISION DESCRIPTION | SIGNATURE | DATE |
| AO | | NEW DWG | | 2016-03-12 |



- NOTES:
- MATERIAL:
 - HOUSING: HALOGEN FREE THERMOPLASTIC, HIGH TEMP.UL94V-0; COLOR:NATURAL.
 - CONTACT: COPPER ALLOY
 - FITTING NAIL: COPPER ALLOY
 - FINISH:
 - CONTACT & SOLDER:
 - 50~100u" NICKEL UNDER PLATING OVERALL
 - 3u" GOLD PLATING ON CONTACT
 - 80~150u" PURE-TIN PLATING OVERALL
 - GOLD FLASH ON CONTACT AND 80~150u"(MIN) MATT-TIN PLATING OVERALL
 - 15u" GOLD ON CONTACT AND 80~150u"(MIN) MATT-TIN PLATING OVERALL
 - FITTING NAIL:
 - 50~100u" NICKEL UNDER PLATING OVERALL
 - 80~150u" MATT TIN PLATING OVERALL
 - REFLOW SOLDER CAPABLE TO 260°C PER
 - Working voltage less than 36 volts (per pin)
 - Voltage: 50 Volts AC (per pin)
 - HOUSING: NY9T

| CKT | DIMA | DIMB | DIMC | DIMD | DIME |
|------|------|------|------|------|-------|
| 2*3 | 6.0 | 2.0 | 4.5 | 3.8 | 4.43 |
| 2*4 | 7.0 | 3.0 | 5.5 | 4.8 | 5.43 |
| 2*5 | 8.0 | 4.0 | 6.5 | 5.8 | 6.43 |
| 2*6 | 9.0 | 5.0 | 7.5 | 6.8 | 7.43 |
| 2*7 | 10.0 | 6.0 | 8.5 | 7.8 | 8.43 |
| 2*8 | 11.0 | 7.0 | 9.5 | 8.8 | 9.43 |
| 2*9 | 12.0 | 8.0 | 10.5 | 9.8 | 10.43 |
| 2*10 | 13.0 | 9.0 | 11.5 | 10.8 | 11.43 |
| 2*11 | 14.0 | 10.0 | 12.5 | 11.8 | 12.43 |
| 2*12 | 15.0 | 11.0 | 13.5 | 12.8 | 13.43 |
| 2*15 | 18.0 | 14.0 | 16.5 | 15.8 | 16.43 |
| 2*20 | 23.0 | 19.0 | 21.5 | 20.8 | 21.43 |
| 2*25 | 28.0 | 24.0 | 26.5 | 25.8 | 26.43 |





深圳市华德共创科技有限公司
Shenzhen Huade co-create Technology Co.,LTD
电话: 0755-27111225 传真: 0755-29940187

| -TOLERANCES- UNLESS OTHERWISE SPECIFIED 公差参数表 | |   | TITLE: 产品名称: SHLD1.0双排带扣立贴针座 | | | | | |
|---|-------|---|---------------------------------|-------------------|-------------------------------------|-------|------|-------------|
| X.X | ±0.30 | X.X* | ±3* | APPD: 核准: | PART NO: 产品编号: HDGC1006WV-S-2XnP | | | |
| X.XX | ±0.20 | X.XX* | ±2* | CHECK: 校对: 王建业 | DATE | SCALE | UNIT | CODE NUMBER |
| X.XXX | ±0.10 | X.XXX* | ±1* | DRAW: 绘图: 黄艳兰 | 2016-03-12 | 1:1 | mm | A001 |