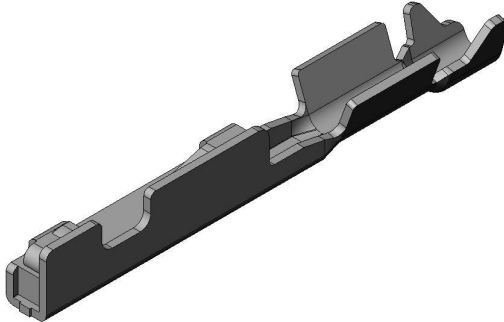


# MX77S13K5F1

## Product Details



### Features

Low-profile Automotive Connector, Ultra compact type 0.4 mm tab size, Socket Contacts

Part Number	MX77S13K5F1
Status	Active
Number of Positions	
Rated Current (A)	3
Waterproof/ Non-waterproof	Non-waterproof
Applications	Automotive body-based ECU/BMS (Battery Management System), etc.
Connector Type	Contacts
Connector Style	Reel
Number of Rows	
Contact Type	Socket
Terminal Size	
PCB Mounting Method	
PCB Boardlock Feature	
PCB Mounted Height	
Wire Termination Style	Crimp
Applicable Wire Size (mm2)	UTP(AWG#26, Outer diameter 3.2mm)

<b>Material of Insulator</b>	
<b>Material of Contact</b>	Copper alloy
<b>Finish of Contact in Connecting Area</b>	Tin plating
<b>Finish of Contact in Terminal Area</b>	Tin plating
<b>RoHS compliant</b>	10 substances (2011/65/EU)
<b>REACH compliant</b>	235 substances (14/06/2023)
<b>Remarks</b>	13,000 pieces/reel

### Notice

1. The values specified in this web site are only for reference. The products and their specifications are subject to change without notice.  
 Contact our sales staff for further information before considering or ordering any of our products.  
 For purchase, a product specification must be agreed upon.
2. Please contact us if you are considering use involving a quality assurance program that you specify or that is peculiar to the industry. Also contact us regarding the details of use, usage, specification before considering or ordering any of our products.
3. Users are requested to provide protection circuits and redundancy circuits to ensure safety of the equipment, and sufficiently review the suitability of JAE's products to the equipment.