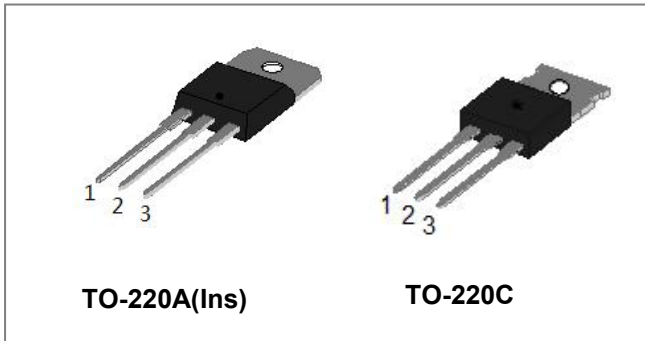
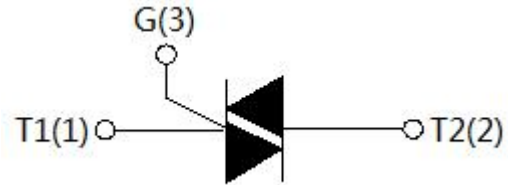


SST20 Series 20A TRIACs



Circuit Diagram



Description

With high ability to withstand the shock loading of large current, SST20 series triacs provide high dv/dt rate with strong resistance to electromagnetic interference. With high commutation performances, 3 quadrant products especially recommended for use on inductive load.

Maximum Ratings:

Characteristics	Symbol	Condition	Max.	Units
Storage junction temperature range	T_{stg}	-	-40-150	°C
Operating junction temperature range	T_j	-	-40-125	°C
Repetitive peak off-state voltage($T_j=25^{\circ}\text{C}$)	V_{DRM}	-	600/800	V
Repetitive peak reverse voltage($T_j=25^{\circ}\text{C}$)	V_{RRM}	-	600/800	V
Non repetitive surge peak Off-state voltage	V_{DSM}	-	$V_{DRM} + 100$	V
Non repetitive peak reverse voltage	V_{RSM}	-	$V_{RRM} + 100$	V
RMS on-state current	$I_{(TRMS)}$	TO-220A(Ins)($T_c=70^{\circ}\text{C}$)	20	A
		TO-220C($T_c=90^{\circ}\text{C}$)		
Non repetitive surge peak on-state current (full cycle, $F=50\text{Hz}$)	I_{TSM}	-	200	A
I^2t value for fusing ($t_p=10\text{ms}$)	I^2t	-	200	A^2s
Critical rate of rise of on-state current ($I_G=2 \times I_{GT}$)	di/dt	-	100	$\text{A}/\mu\text{s}$
Peak gate current	I_{GM}	-	4	A
Average gate power dissipation	$P_{G(AV)}$	-	1	W
Peak gate power	P_{GM}	-	10	W

Electrical Characteristics ($T_j=25^\circ\text{C}$ unless otherwise specified)

3 Quadrants

Symbol	Test Condition	Quadrant		Value		Unit
				BW	CW	
I_{GT}	$V_D=12\text{V } R_L=33\Omega$	I - II - III	MAX	50	35	mA
V_{GT}		I - II - III	MAX	1.3		V
V_{GD}	$V_D=V_{DRM} T_j=125^\circ\text{C } R_L=3.3\text{K}\Omega$	I - II - III	MIN	0.2		V
I_L	$I_G=1.2I_{GT}$	I - III	MAX	70	60	mA
		II		90	70	
I_H	$I_T=100\text{mA}$		MAX	60	50	mA
dV/dt	$V_D=2/3V_{DRM}$ Gate Open $T_j=125^\circ\text{C}$		MIN	1000	500	V/ μs

4 Quadrants

Symbol	Test Condition	Quadrant		Value	Unit
I_{GT}	$V_D=12\text{V } R_L=33\Omega$	I - II - III	MAX	50	mA
		IV		70	
V_{GT}		ALL	MAX	1.3	V
V_{GD}	$V_D=V_{DRM} T_j=125^\circ\text{C } R_L=3.3\text{K}\Omega$	ALL	MIN	0.2	V
I_L	$I_G=1.2I_{GT}$	I - III - IV	MAX	70	mA
		II		90	
I_H	$I_T=100\text{mA}$		MAX	60	mA
dV/dt	$V_D=2/3V_{DRM}$ Gate Open $T_j=125^\circ\text{C}$		MIN	500	V/ μs

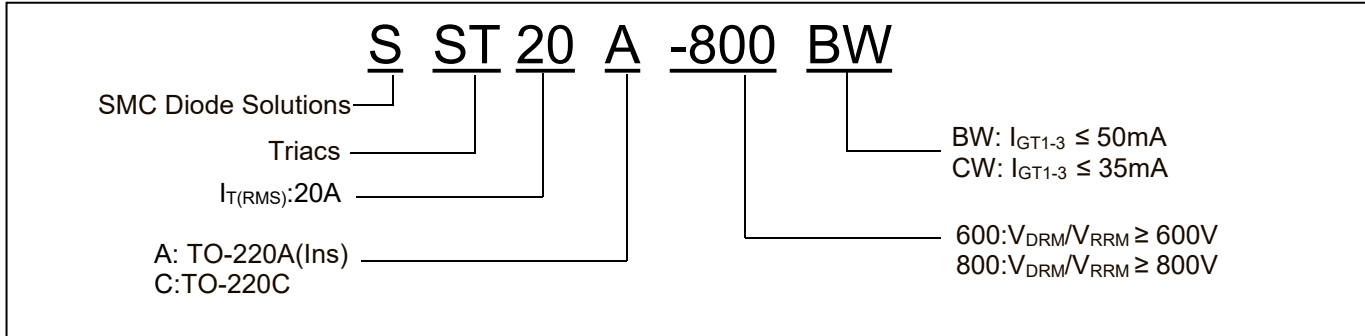
Static Characteristics

Symbol	Parameter		Value(MAX)	Unit
V_{TM}	$I_{TM}=28\text{A } t_p=380\mu\text{s}$	$T_j=25^\circ\text{C}$	1.5	V
I_{DRM}	$V_D=V_{DRM} V_R=V_{RRM}$	$T_j=25^\circ\text{C}$	5	μA
I_{RRM}		$T_j=125^\circ\text{C}$	2.5	mA

Thermal Resistances

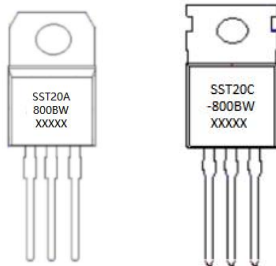
Symbol	Condition		Value	Units
$R_{th(j-c)}$	Junction to case(AC)	TO-220A(Ins)	1.9	$^\circ\text{C/W}$
		TO-220C	1.1	$^\circ\text{C/W}$

Ordering Information



Device	Package	Shipping
SST20A-800CW, SST20A-800BW, SST20A-600CW, SST20A-600BW	TO-220A(Ins)	50pcs/ Tube
SST20C-800CW, SST20C-800BW, SST20C-600CW, SST20C-600BW	TO-220C	50pcs/ Tube

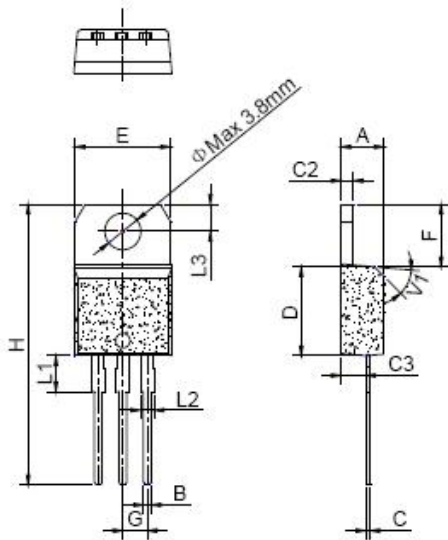
Marking Diagram



Where XXXXX is YYWWL

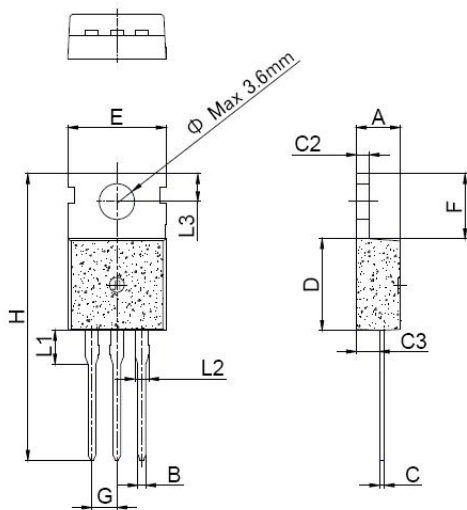
SST20A-800BW = Part name
 SST20C-800BW = Part name
 YY = Year
 WW = Week
 L = Lot Number

Mechanical Dimensions TO-220A(Ins)



SYMBOL	Millimeters			Inches		
	Min.	Typ.	Max.	Min.	Typ.	Max.
A	4.40		4.60	0.173		0.181
B	0.61		0.88	0.024		0.035
C	0.46		0.70	0.018		0.028
C2	1.21		1.32	0.048		0.052
C3	2.40		2.72	0.094		0.107
D	8.60		9.70	0.339		0.382
E	9.60		10.4	0.378		0.409
F	6.55		6.95	0.258		0.274
G		2.54			0.1	
H	28.0		29.8	1.102		1.173
L1		3.75			0.148	
L2	1.14		1.70	0.045		0.067
L3	2.65		2.95	0.104		0.116
V1		45°			45°	

Mechanical Dimensions TO-220C



SYMBOL	Millimeters			Inches		
	Min.	Typ.	Max.	Min.	Typ.	Max.
A	4.40		4.60	0.173		0.181
B	0.70		0.90	0.028		0.035
C	0.45		0.60	0.018		0.024
C2	1.23		1.32	0.048		0.052
C3	2.20		2.60	0.087		0.102
D	8.90		9.90	0.350		0.390
E	9.90		10.3	0.39		0.406
F	6.30		6.90	0.248		0.272
G		2.54			0.1	
H	28.0		29.8	1.102		1.173
L1		3.39			0.133	
L2	1.14		1.70	0.045		0.067
L3	2.65		2.95	0.104		0.116
φ		3.6			0.142	

Ratings and Characteristics Curves

FIG.1 Maximum power dissipation versus RMS on-state current

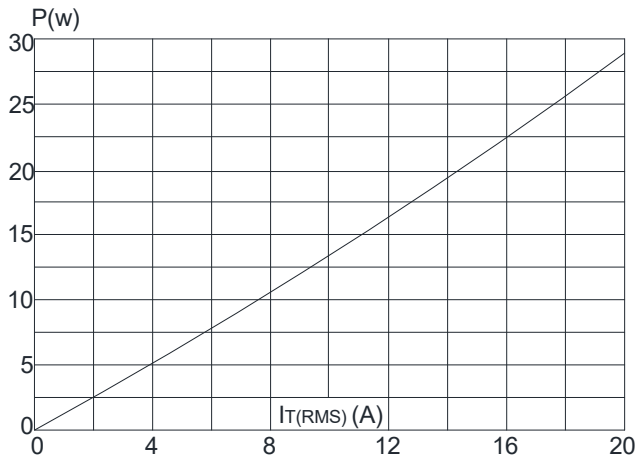


FIG.2: RMS on-state current versus case temperature

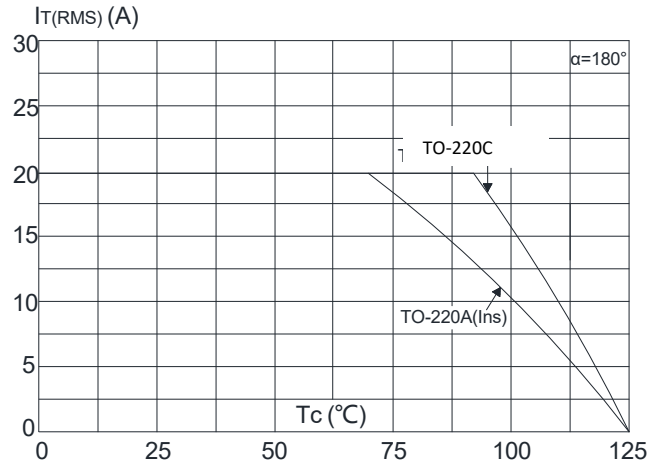


FIG.3: Surge peak on-state current versus number of cycles

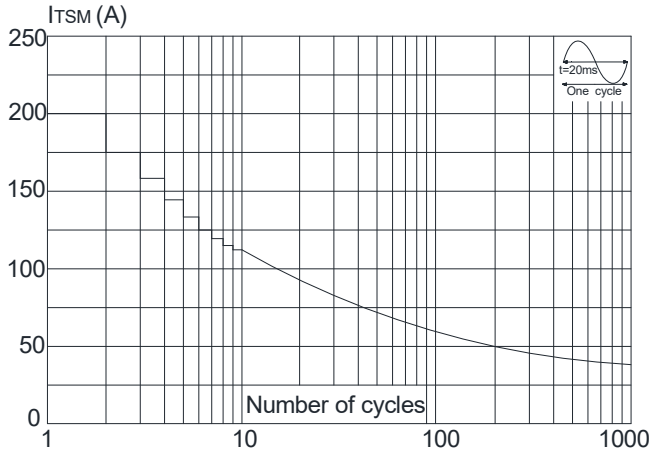


FIG.4: On-state characteristics (maximum values)

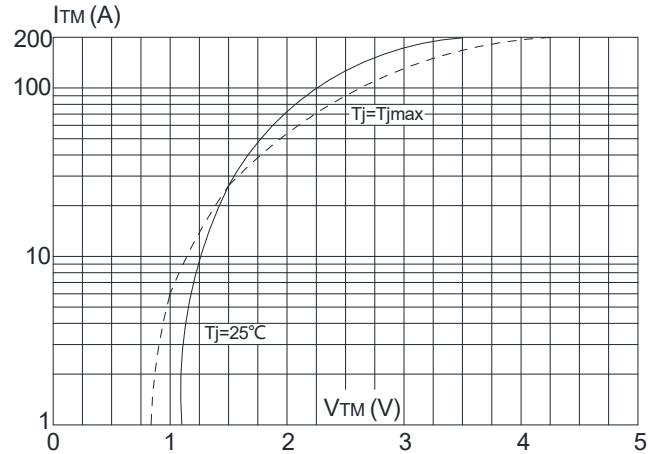


FIG.5: Non-repetitive surge peak on-state current for a sinusoidal pulse with width $t_p < 20\text{ms}$, and corresponding value of I^2t ($di/dt < 100\text{A}/\mu\text{s}$)

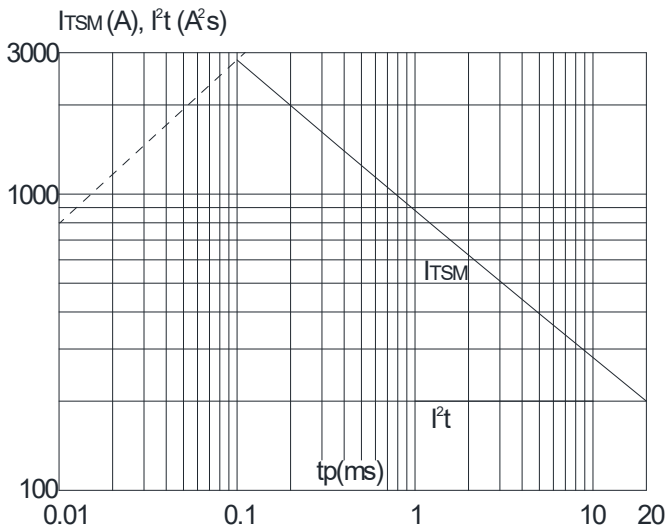
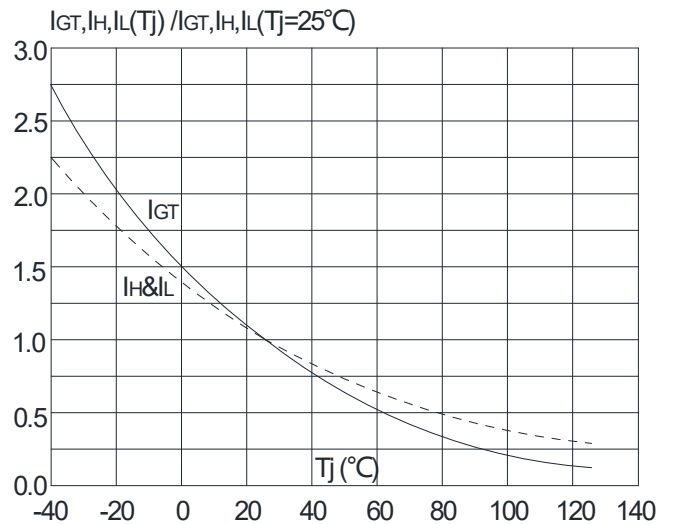


FIG.6: Relative variations of gate trigger current, holding current and latching current versus junction temperature





DISCLAIMER:

- 1- The information given herein, including the specifications and dimensions, is subject to change without prior notice to improve product characteristics. Before ordering, purchasers are advised to contact the SMC Diode Solutions sales department for the latest version of the datasheet(s).
- 2- In cases where extremely high reliability is required (such as use in nuclear power control, aerospace and aviation, traffic equipment, medical equipment, and safety equipment), safety should be ensured by using semiconductor devices that feature assured safety or by means of users' fail-safe precautions or other arrangement.
- 3- In no event shall SMC Diode Solutions be liable for any damages that may result from an accident or any other cause during operation of the user's units according to the datasheet(s). SMC Diode Solution assumes no responsibility for any intellectual property claims or any other problems that may result from applications of information, products or circuits described in the datasheets.
- 4- In no event shall SMC Diode Solutions be liable for any failure in a semiconductor device or any secondary damage resulting from use at a value exceeding the absolute maximum rating.
- 5- No license is granted by the datasheet(s) under any patents or other rights of any third party or SMC Diode Solutions.
- 6- The datasheet(s) may not be reproduced or duplicated, in any form, in whole or part, without the expressed written permission of SMC Diode Solutions.
- 7- The products (technologies) described in the datasheet(s) are not to be provided to any party whose purpose in their application will hinder maintenance of international peace and safety nor are they to be applied to that purpose by their direct purchasers or any third party. When exporting these products (technologies), the necessary procedures are to be taken in accordance with related laws and regulations..