



Am2960/Am2960-1/Am2960A

Cascadable 16-Bit Error Detection and Correction Unit

DISTINCTIVE CHARACTERISTICS

- **Boosts Memory Reliability**
Corrects all single-bit errors. Detects all double and some triple-bit errors.
- **Very High Speed**
Perfect for MOS microprocessor, minicomputer, and main-frame systems.

High performance systems can use the Am2960 EDC in check-only mode to avoid memory system slowdown.
- **Handles Data Words From 8 Bits to 64 Bits**
The Am2960 EDC cascades: 1 EDC for 8 bits or 16 bits, 2 for 32 bits, 4 for 64 bits.
- **Easy Byte Operations**
Separate byte enables on the data out latch simplify the steps and cut the time required for byte writes.
- **Diagnostics Built-In**
The processor may completely exercise the EDC under software control to check for proper operation of the EDC.

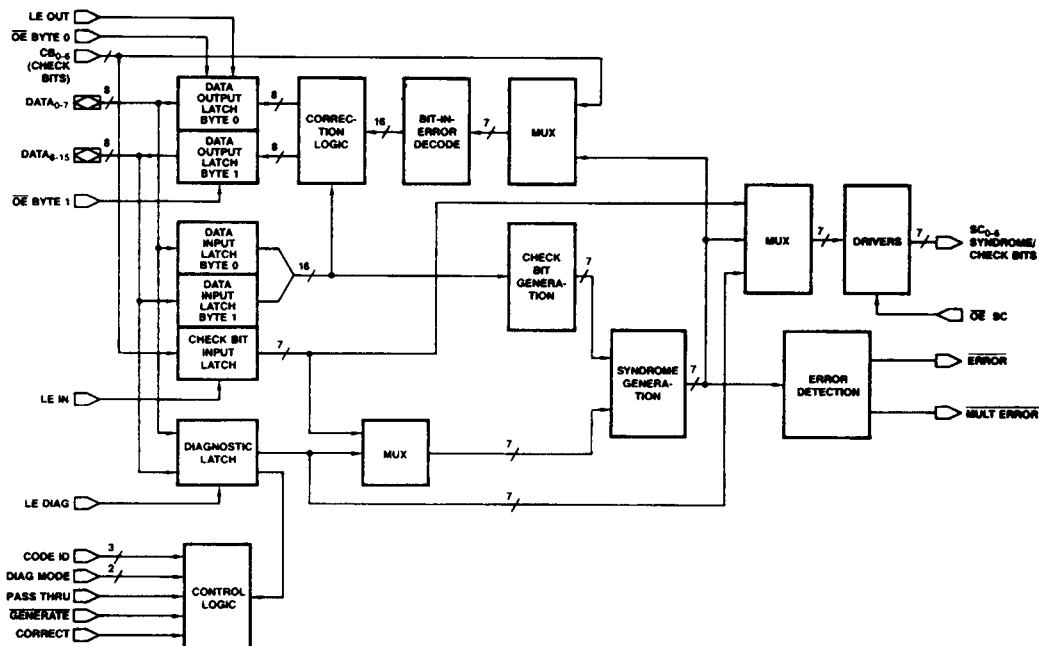
GENERAL DESCRIPTION

The Am2960 Error Detection and Correction Unit (EDC) contains the logic necessary to generate check bits on a 16-bit data field according to a modified Hamming Code, and to correct the data word when check bits are supplied. Operating on data read from memory, the Am2960 will correct any single-bit error and will detect all double and some triple-bit errors. For 16-bit words, 6 check bits are used. The Am2960 is expandable to operate on 32-bit

words (7 check bits) and 64-bit words (8 check bits). In all configurations, the device makes the error syndrome available on separate outputs for data logging.

The Am2960 also features two diagnostic modes, in which diagnostic data can be forced into portions of the chip to simplify device testing and to execute system diagnostic functions.

BLOCK DIAGRAM



BD001261

RELATED AMD PRODUCTS

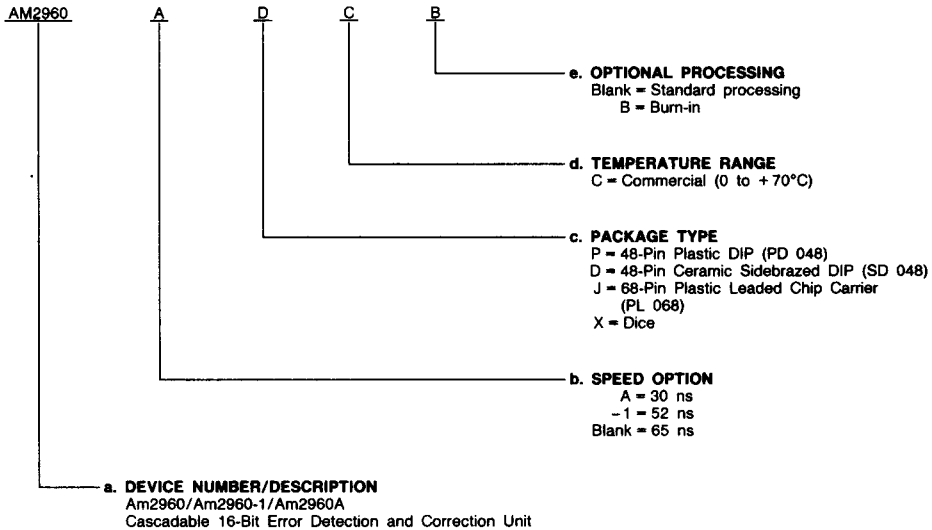
| Part No. | Description |
|----------|--|
| Am29368 | 1M Dynamic Memory Controller |
| Am29C60A | 16-Bit CMOS EDC |
| Am2968A | 256K Dynamic Memory Controller |
| Am2969 | Memory Timing Controller w/EDC Control |
| Am2971A | Programmable Event Generator |
| Am29C660 | 32-Bit CMOS EDC |
| Am29C668 | 4M - 64K Configurable Dynamic Memory Controller/Driver |
| Am29C983 | 9-Bit x 4-Port Multiple Bus Exchange |

ORDERING INFORMATION

Standard Products

AMD standard products are available in several packages and operating ranges. The order number (Valid Combination) is formed by a combination of:

- a. **Device Number**
- b. **Speed Option** (if applicable)
- c. **Package Type**
- d. **Temperature Range**
- e. **Optional Processing**



Valid Combinations

| Valid Combinations | |
|--------------------|----------------------------------|
| AM2960 | DC, DCB, PC, PCB, XC, JC, JCB |
| AM2960A | |
| AM2960-1 | |

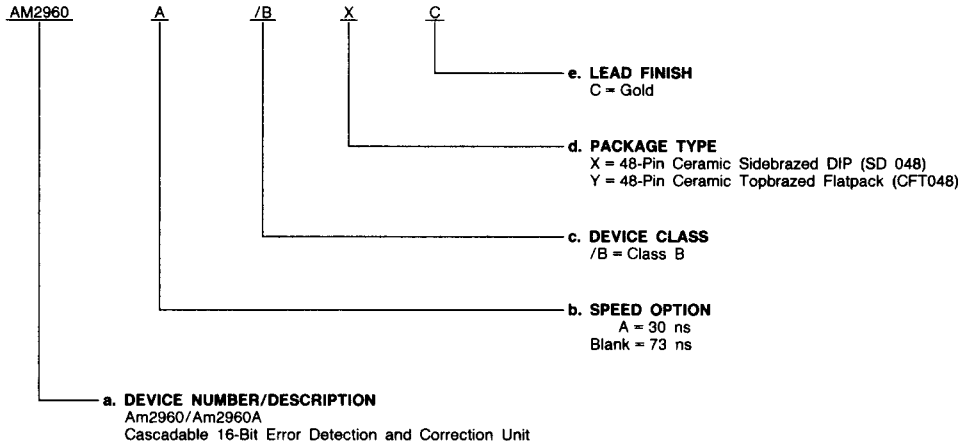
Valid Combinations list configurations planned to be supported in volume for this device. Consult the local AMD sales office to confirm availability of specific valid combinations, to check on newly released combinations, and to obtain additional data on AMD's standard military grade products.

MILITARY ORDERING INFORMATION

APL Products

AMD products for Aerospace and Defense applications are available in several packages and operating ranges. APL (Approved Products List) products are fully compliant with MIL-STD-883C requirements. The order number (Valid Combination) for APL products is formed by a combination of:

- a. **Device Number**
- b. **Speed Option** (if applicable)
- c. **Device Class**
- d. **Package Type**
- e. **Lead Finish**



Valid Combinations

Valid Combinations list configurations planned to be supported in volume for this device. Consult the local AMD sales office to confirm availability of specific valid combinations or to check for newly released valid combinations.

| Valid Combinations | |
|--------------------|------------|
| AM2960 | /BXC, /BYC |
| AM2960A | |

Group A Tests

Group A tests consists of Subgroups:

- 1, 2, 3, 7, 8, 9, 10, 11

PIN DESCRIPTION

DATA₀₋₁₅ Data (Input/Output (16))

These bidirectional data lines provide input to the Data Input Latch and Diagnostic Latch, and receive output from the Data Output Latch. DATA₀ is the least significant bit; DATA₁₅ the most significant.

CB₀₋₆ Check Bits (Input (7))

The check bit lines are used to input check bits for error detection. Also used to input syndrome bits for error correction in 32 and 64-bit configurations.

LE IN Latch Enable - Data Input Latch (Input)

Controls latching of the input data. When HIGH, the Data Input Latch and Check Bit Input Latch follow the input data and input check bits. When LOW, the Data Input Latch and Check Bit Input Latch are latched to their previous state.

GENERATE Generate Check Bits (Input)

When this input is LOW, the EDC is in the Check Bit Generate Mode. When HIGH, the EDC is in the Detect Mode or Correct Mode.

In the Generate Mode the circuit generates the check bits or partial check bits specific to the data in the Data Input Latch. The generated check bits are placed on the SC outputs.

In the Detect or Correct Modes the EDC detects single and multiple errors, and generates syndrome bits based upon the contents of the Data Input Latch and Check Bit Input Latch. In Correct Mode, single-bit errors are also automatically corrected - corrected data is placed at the inputs of the Data Output Latch. The syndrome result is placed on the SC outputs and indicates in a coded form the number of errors and the bit-in-error.

SC₀₋₆ Syndrome/Check Bits (Output (7))

These seven lines hold the check/partial-check bits when the EDC is in Generate Mode, and will hold the syndrome/partial syndrome bits when the device is in Detect or Correct Modes. These are 3-state outputs.

OE SC Output Enable, Syndrome/Check Bits (Input)

Syndrome/Check Bits. When LOW, the 3-state output lines SC₀₋₆ are enabled. When HIGH, the SC outputs are in the high impedance state.

ERROR Error Detected (Output)

When the EDC is in Detect or Correct Mode, this output will go LOW if one or more syndrome bits are asserted, meaning there are one or more bit errors in the data or check bits. If no syndrome bits are asserted, there are no errors detected and the output will be HIGH. In Generate Mode, ERROR is forced HIGH. (In a 64-bit configuration, ERROR must be externally implemented.)

MULT ERROR Multiple Errors Detected (Output)

When the EDC is in Detect or Correct Mode, this output if LOW indicates that there are two or more bit errors that have been detected. If HIGH, this indicates that either one or no errors have been detected. In Generate mode, MULT

ERROR is forced HIGH. (In a 64-bit configuration, MULT ERROR must be externally implemented.)

CORRECT Correct (Input)

When HIGH, this signal allows the correction network to correct any single-bit error in the Data Input Latch (by complementing the bit-in-error) before putting it into the Data Output Latch. When LOW, the EDC will drive data directly from the Data Input Latch to the Data Output Latch without correction.

LE OUT Latch Enable - Data Output Latch (Input)

Controls the latching of the Data Output Latch. When LOW, the Data Output Latch is latched to its previous state. When HIGH, the Data Output Latch follows the output of the Data Input Latch as modified by the correction logic network. In Correct Mode, single-bit errors are corrected by the network before loading into the Data Output Latch. In Detect Mode, the contents of the Data Input Latch are passed through the correction network unchanged into the Data Output Latch. The inputs to the Data Output Latch are unspecified if the EDC is in Generate Mode.

OE BYTE 0, 1 Output Enable Bytes 0, 1 (Input)

These lines control the 3-state outputs for each of the two bytes of the Data Output Latch. When LOW, these lines enable the Data Output Latch, and when HIGH these lines force the Data Output Latch into the high impedance state. The two enable lines can be separately activated to enable only one byte of the Data Output Latch at a time.

PASS THRU Pass Thru (Input)

This line, when HIGH, forces the contents of the Check Bit Input Latch onto the Syndrome/Check Bit outputs (SC₀₋₆) and the unmodified contents of the Data Input Latch onto the inputs of the Data Output Latch.

DIAG MODE₀₋₁ Diagnostic Mode Select (Input)

These two lines control the initialization and diagnostic operation of the EDC.

CODE ID₂₋₀ Code Identification (Input)

These three bits identify the size of the total data word to be processed and which 16-bit slice of larger data words a particular EDC is processing. The three allowable data word sizes are 16, 32 and 64 bits and their respective modified Hamming codes are designated 16/22, 32/39 and 64/72. Special CODE ID input 001 (ID₂, ID₁, ID₀) is also used to instruct the EDC that the signals CODE ID₂₋₀, DIAG MODE₀₋₁, CORRECT and PASS THRU are to be taken from the Diagnostic Latch, rather than from the input control lines.

LE DIAG Diagnostic Latch Enable (Input)

Diagnostic Latch. When HIGH, the Diagnostic Latch follows the 16-bit data on the input lines. When LOW, the outputs of the Diagnostic Latch are latched to their previous states. The Diagnostic Latch holds diagnostic check bits, and internal control signals for CODE ID₂₋₀, DIAG MODE₀₋₁, CORRECT and PASS THRU.

FUNCTIONAL DESCRIPTION

EDC Architecture

The EDC Unit is a powerful 16-bit cascadable slice used for check bit generation, error detection, error correction and diagnostics.

As shown in the block diagram, the device consists of the following:

- Data Input Latch
- Check Bit Input Latch
- Check Bit Generation Logic
- Syndrome Generation Logic
- Error Detection Logic
- Error Correction Logic
- Data Output Latch
- Diagnostic Latch
- Control Logic

Data Input Latch

16 bits of data are loaded from the bidirectional DATA lines under control of the Latch Enable input, LE IN. Depending on the control mode, the input data is either used for check bit generation or error detection/correction.

Check Bit Input Latch

Seven check bits are loaded under control of LE IN. Check bits are used in the Error Detection and Error Correction modes.

Check Bit Generation Logic

This block generates the appropriate check bits for the 16 bits of data in the Data Input Latch. The check bits are generated according to a modified Hamming code.

Syndrome Generation Logic

In both Error Detection and Error Correction modes, this logic block compares the check bits read from memory against a newly generated set of check bits produced for the data read in from memory. If both sets of check bits match, then there are no errors. If there is a mismatch, then one or more of the data or check bits is in error.

The syndrome bits are produced by an exclusive-OR of the two sets of check bits. If the two sets of check bits are identical (meaning there are no errors) the syndrome bits will be all zeroes. If there are errors, the syndrome bits can be decoded to determine the number of errors and the bit-in-error.

Error Detection Logic

This section decodes the syndrome bits generated by the Syndrome Generation Logic. If there are no errors in either the input data or check bits, the ERROR and MULT ERROR outputs remain HIGH. If one or more errors are detected, ERROR goes LOW. If two or more errors are detected, both ERROR and MULT ERROR go LOW.

Error Correction Logic

For single errors, the Error Correction Logic complements (corrects) the single data bit in error. This corrected data is loadable into the Data Output Latch, which can then be read onto the bidirectional data lines. If the single error is one of the check bits, the correction logic does not place corrected check bits on the syndrome/check bit outputs. If the corrected check bits are needed, the EDC must be switched to Generate Mode.

Data Output Latch

The Data Output Latch is used for storing the result of an error correction operation. The latch is loaded from the correction logic under control of the Data Output Latch Enable, LE OUT. The Data Output Latch may also be loaded directly from the Data Input Latch under control of the PASS THRU control input.

The Data Output Latch appears as two 8-bit (byte) latches which may be enabled independently for reading onto the bidirectional data lines.

Diagnostic Latch

This is a 16-bit latch loadable from the bidirectional data lines under control of the Diagnostic Latch Enable, LE DIAG. The Diagnostic Latch contains check bit information in one byte and control information in the other byte. The Diagnostic Latch is used for driving the device when in Internal Control Mode, or for supplying check bits when in one of the Diagnostic Modes.

Control Logic

The control logic determines the specific mode the device operates in. Normally the control logic is driven by external control inputs. However, in Internal Control Mode, the control signals are instead read from the Diagnostic Latch.

GENERAL OPERATION

The EDC contains the logic necessary to generate check bits on a 16-bit data field according to a modified Hamming code. Operating on data read from memory, the EDC will correct any single-bit error, and will detect all double and some triple-bit errors. The Am2960 may be configured to operate on 16-bit data words (with 6 check bits), 32-bit data words (with 7 check bits) and 64-bit data words (with 8 check bits). In fact the EDC can be configured to work on data words from 8 to 64 bits. In all configurations, the device makes the error syndrome bits available on separate outputs for error data logging.

Code and Byte Specification

The EDC may be configured in several different ways and operates differently in each configuration. It is necessary to indicate to the device what size data word is involved and which bytes of the data word it is processing. This is done with input lines CODE ID₂₋₀, as shown in Table 1. The three modified Hamming codes referred to in Table 1 are:

- 16/22
 - 16 data bits
 - 6 check bits
 - 22 bits in total.
- 32/39 code
 - 32 data bits
 - 7 check bits
 - 39 bits in total.
- 64/72 code
 - 64 data bits
 - 8 check bits
 - 72 bits in total.

CODE ID input 001 (ID₂, ID₁, ID₀) is a special code used to operate the device in Internal Control Mode (described later in this section).

Control Mode Selection

The device control lines are GENERATE, CORRECT, PASS THRU, DIAG MODE₀₋₁ and CODE ID₂₋₀. Table 3 indicates the operating modes selected by various combinations of the control line inputs.

Diagnostics

Table 2 shows specifically how DIAG MODE₀₋₁ select between normal operation, initialization, and one of two diagnostic modes.

The Diagnostic Modes allow the user to operate the EDC under software control in order to verify proper functioning of the device.

Check and Syndrome Bit Labeling

The check bits generated in the EDC are designated as follows:

- 16-bit configuration – CX, C0, C1, C2, C4, C8;
- 32-bit configuration – CX, C0, C1, C2, C4, C8, C16;
- 64-bit configuration – CX, C0, C1, C2, C4, C8, C16, C32.

Syndrome bits are similarly labeled SX through S32. There are only 6 syndrome bits in the 16-bit configuration, 7 for 32 bits, and 8 syndrome bits in the 64-bit configuration.

Initialize Mode

The outputs of the Data Input Latch are forced to zero (and the Data Input Latches are latched in zero upon removal of the initialized mode).

The inputs of the Data Output Latch are forced to zeroes. The check bit outputs (SC) are generated to correspond to the all-zero data. ERROR and MULT ERROR are forced HIGH in the Initialize Mode.

Initialize Mode is useful after power up when RAM contents are random. The EDC may be placed in initialize mode and its' outputs written in to all memory locations by the processor.

TABLE 1. HAMMING CODE AND SLICE IDENTIFICATION

| CODE ID ₂ | CODE ID ₁ | CODE ID ₀ | Hamming Code and Slice Selected |
|----------------------|----------------------|----------------------|---------------------------------|
| 0 | 0 | 0 | Code 16/22 |
| 0 | 0 | 1 | Internal Control Mode |
| 0 | 1 | 0 | Code 32/39, Bytes 0 and 1 |
| 0 | 1 | 1 | Code 32/39, Bytes 2 and 3 |
| 1 | 0 | 0 | Code 64/72, Bytes 0 and 1 |
| 1 | 0 | 1 | Code 64/72, Bytes 2 and 3 |
| 1 | 1 | 0 | Code 64/72, Bytes 4 and 5 |
| 1 | 1 | 1 | Code 64/72, Bytes 6 and 7 |

TABLE 2. DIAGNOSTIC MODE CONTROL

| DIAG MODE ₁ | DIAG MODE ₀ | Diagnostic Mode Selected |
|------------------------|------------------------|---|
| 0 | 0 | Non-diagnostic mode. The EDC functions normally in all modes. |
| 0 | 1 | Diagnostic Generate. The contents of the Diagnostic Latch are substituted for the normally generated check bits when in the Generate Mode. The EDC functions normally in the Detect or Correct modes. |
| 1 | 0 | Diagnostic Detect/Correct. In the Detect or Correct Mode, the contents of the Diagnostic Latch are substituted for the check bits normally read from the Check Bit Input Latch. The EDC functions normally in the Generate Mode. |
| 1 | 1 | Initialize. The outputs of the Data Input Latch are forced to zeroes (and the Data Input Latches are latched in zero upon removal of the Initialize Mode), inputs of the Data Output Latches are forced to zeroes, and the check bits generated correspond to the all-zero data. |

HAMMING CODE SELECTION

The Am2960 EDC uses a modified Hamming Code that allows 1) the EDC to be cascaded; 2) all double errors to be detected; 3) the gross error conditions of all 0s or 1s to be detected.

The error correction code can be selected independently of the processor with the exception of diagnostics software.

Diagnostic software run by a processor to check out the EDC system must know specifically which code is being used. This

is only a problem when the EDC replaces an existing MSI implementation on an existing computer. In this case, the computer's software must first determine which of two codes (the old one used by the MSI implementation or the new one used by the EDC) is used by the computer's memory system.

This is easily determined by writing a test data word into memory and then examining whether the generated check bits are typical of the old or the new code. From then on the software runs only the diagnostic appropriate for the code used on that particular computer's memory system.

TABLE 3. OPERATING MODES

| Operating Mode | Diagnostic Mode** | | GENERATE | |
|---------------------|--|-----------------|---------------------|---------------------|
| | DM ₁ | DM ₀ | 0 | 1 |
| Normal | 0 | 0 | Generate | Correct* |
| Diagnostic Generate | 0 | 1 | Diagnostic Generate | Correct* |
| Diagnostic Correct | 1 | 0 | Generate | Diagnostic Correct* |
| Initialize | 1 | 1 | Initialize | Initialize |
| Pass Thru | When PASS THRU is asserted, the Operating Mode is defaulted to the Pass Thru Mode. | | | |

*Correct if the CORRECT Input is HIGH, Detect if the CORRECT Input is LOW.

**In Code ID₂₋₀₀₀₁(ID₂, ID₁, ID₀) DM₁ and DM₀ are taken from the Diagnostic Latch.

FUNCTIONAL EQUATIONS

The following equations and tables describe in detail how the output values of the AM2960 EDC are determined as a function of the value of the inputs and the internal states. Be sure to carefully read the following definitions of symbols before examining the tables.

Definitions

- D_i ← (DATA_i if LE IN is HIGH or the output of bit i of the Data Input Latch if LE IN is LOW)
- C_i ← (CB_i if LE IN is HIGH or the output of bit i of the Check Bit Latch if LE IN is LOW)
- DL_i ← Output of bit i of the Diagnostic Latch
- S_i ← Internally generated syndromes (same as outputs of SC_i if outputs enabled)
- PA ← D0 ⊕ D1 ⊕ D2 ⊕ D4 ⊕ D6 ⊕ D8 ⊕ D10 ⊕ D12
- PB ← D0 ⊕ D1 ⊕ D2 ⊕ D3 ⊕ D4 ⊕ D5 ⊕ D6 ⊕ D7
- PC ← D8 ⊕ D9 ⊕ D10 ⊕ D11 ⊕ D12 ⊕ D13 ⊕ D14 ⊕ D15
- PD ← D0 ⊕ D3 ⊕ D4 ⊕ D7 ⊕ D9 ⊕ D10 ⊕ D13 ⊕ D15
- PE ← D0 ⊕ D1 ⊕ D5 ⊕ D6 ⊕ D7 ⊕ D11 ⊕ D12 ⊕ D13
- PF ← D2 ⊕ D3 ⊕ D4 ⊕ D5 ⊕ D6 ⊕ D7 ⊕ D14 ⊕ D15
- PG₁ ← D0 ⊕ D4 ⊕ D6 ⊕ D7
- PG₂ ← D1 ⊕ D2 ⊕ D3 ⊕ D5
- PG₃ ← D8 ⊕ D9 ⊕ D11 ⊕ D14
- PG₄ ← D10 ⊕ D12 ⊕ D13 ⊕ D15

Error Signals

$$\text{ERROR} = (S6 \cdot (ID_1 + ID_2)) \cdot S5 \cdot S4 \cdot S3 \cdot S2 \cdot S1 \cdot S0 + \text{GENERATE} + \text{INITIALIZE} + \text{PASSTHRU}$$

$$\text{MULT ERROR (16 and 32-Bit Modes)} \leftarrow \frac{((S6 \cdot ID_1) \oplus S5 \oplus S4 \oplus S3 \oplus S2 \oplus S1 \oplus S0) (\text{ERROR}) + \text{TOME} + \text{GENERATE} + \text{PASSTHRU} + \text{INITIALIZE}}$$

$$\text{MULT ERROR (64-Bit Modes)} = \text{TOME} + \text{GENERATE} + \text{PASSTHRU} + \text{INITIALIZE}$$

TABLE 4. TOME (Three or More Errors)*

| | | | | | | | | | | | | | | | | | | | |
|----|----|----|------|---|---|---|---|---|---|---|---|---|---|---|---|---|---|---|---|
| | | | S0 | 0 | 1 | 0 | 1 | 0 | 1 | 0 | 1 | 0 | 1 | 0 | 1 | 0 | 1 | 0 | 1 |
| | | | **S6 | 0 | 0 | 1 | 1 | 0 | 0 | 1 | 1 | 0 | 0 | 1 | 1 | 0 | 0 | 1 | 1 |
| | | | S5 | 0 | 0 | 0 | 0 | 1 | 1 | 1 | 0 | 0 | 0 | 1 | 1 | 0 | 0 | 1 | 1 |
| | | | S4 | 0 | 0 | 0 | 0 | 0 | 0 | 1 | 1 | 0 | 0 | 1 | 1 | 0 | 0 | 1 | 1 |
| S1 | S2 | S3 | | 0 | 0 | 0 | 1 | 0 | 1 | 1 | 1 | 0 | 1 | 1 | 1 | 0 | 0 | 0 | 0 |
| 0 | 0 | 0 | | 0 | 1 | 1 | 1 | 0 | 0 | 0 | 0 | 0 | 0 | 0 | 0 | 1 | 1 | 1 | 1 |
| 0 | 1 | 0 | | 0 | 1 | 1 | 1 | 0 | 0 | 0 | 0 | 0 | 0 | 0 | 0 | 0 | 0 | 0 | 0 |
| 0 | 1 | 1 | | 1 | 1 | 1 | 1 | 0 | 0 | 0 | 0 | 0 | 0 | 0 | 0 | 1 | 1 | 1 | 1 |
| 1 | 0 | 0 | | 0 | 1 | 1 | 1 | 0 | 0 | 0 | 0 | 0 | 0 | 0 | 0 | 1 | 1 | 1 | 1 |
| 1 | 0 | 1 | | 0 | 0 | 0 | 0 | 0 | 0 | 0 | 0 | 0 | 0 | 0 | 0 | 1 | 1 | 1 | 1 |
| 1 | 1 | 0 | | 1 | 1 | 1 | 1 | 0 | 0 | 0 | 0 | 0 | 0 | 0 | 0 | 1 | 1 | 1 | 1 |
| 1 | 1 | 1 | | 0 | 0 | 0 | 0 | 1 | 1 | 1 | 1 | 1 | 1 | 1 | 1 | 1 | 1 | 1 | 1 |

*S6, S5, ...S0 are internal syndromes except in Modes 010, 100, 101, 110, 111 (CODE ID2, ID1, ID0). In these modes the syndromes are input over the Check-Bit lines. S6-C6, S5-C5, ...S1-C1, S0-C0. **The S6 internal syndrome is always forced to 0 in CODE ID 000.

SC Outputs

Tables 5 to 9 show how outputs SC0-6 are generated in each control mode for various CODE IDs (internal control mode not applicable).

TABLE 5. GENERATE MODE (Check Bits)

| GENERATE Mode (Check Bits) | CODE ID2-0 | | | | | | |
|----------------------------|------------|---------|-------------|---------|---------|---------|---------|
| | 000 | 010 | 011 | 100 | 101 | 110 | 111 |
| SC0- | PG2⊕PG3 | PG1⊕PG3 | PG2⊕PG4⊕CB0 | PG2⊕PG3 | PG2⊕PG3 | PG1⊕PG4 | PG1⊕PG4 |
| SC1- | PA | PA | PA⊕CB1 | PA | PA | PA | PA |
| SC2- | PD | PD | PD⊕CB2 | PD | PD | PD | PD |
| SC3- | PE | PE | PE⊕CB3 | PE | PE | PE | PE |
| SC4- | PF | PF | PF⊕CB4 | PF | PF | PF | PF |
| SC5- | PC | PC | PC⊕CB5 | PC | PC | PC | PC |
| SC6- | 1 | PB | PC⊕CB6 | PB | PB | PB | PB |

TABLE 6. DETECT AND CORRECT MODES (Syndromes)

| Detect and Correct Modes (Syndromes) | CODE ID2-0 | | | | | | |
|--------------------------------------|------------|------------|-------------|------------|---------|---------|---------|
| | 000 | 010 | 011* | 100 | 101 | 110 | 111 |
| SC0- | PG2⊕PG3⊕C0 | PG1⊕PG3⊕C0 | PG2⊕PG4⊕CB0 | PG2⊕PG3⊕C0 | PG2⊕PG3 | PG1⊕PG4 | PG1⊕PG4 |
| SC1- | PA⊕C1 | PA⊕C1 | PA⊕CB1 | PA⊕C1 | PA | PA | PA |
| SC2- | PD⊕C2 | PD⊕C2 | PD⊕CB2 | PD⊕C2 | PD | PD | PD |
| SC3- | PE⊕C3 | PE⊕C3 | PE⊕CB3 | PE⊕C3 | PE | PE | PE |
| SC4- | PF⊕C4 | PF⊕C4 | PF⊕CB4 | PF⊕C4 | PF | PF | PF |
| SC5- | PC⊕C5 | PC⊕C5 | PC⊕CB5 | PC⊕C5 | PC | PC | PC |
| SC6- | 1 | PB⊕C6 | PC⊕CB6 | PB | PB | PB⊕C6 | PB⊕C6 |

*In CODE ID2-0 011 the Check-Bit Latch is forced transparent; the Data Latch operates normally.

TABLE 7. DIAGNOSTIC READ MODE

| Diagnostic Read Mode | CODE ID2-0 | | | | | | |
|----------------------|-------------|-------------|-------------|-------------|---------|---------|---------|
| | 000 | 010 | 011* | 100 | 101 | 110 | 111 |
| SC0- | PG2⊕PG3⊕DL0 | PG1⊕PG3⊕DL0 | PG2⊕PG4⊕DL0 | PG2⊕PG3⊕DL0 | PG2⊕PG3 | PG1⊕PG4 | PG1⊕PG4 |
| SC1- | PA⊕DL1 | PA⊕DL1 | PA⊕CB1 | PA⊕DL1 | PA | PA | PA |
| SC2- | PD⊕DL2 | PD⊕DL2 | PD⊕CB2 | PD⊕DL2 | PD | PD | PD |
| SC3- | PE⊕DL3 | PE⊕DL3 | PE⊕CB3 | PE⊕DL3 | PE | PE | PE |
| SC4- | PF⊕DL4 | PF⊕DL4 | PF⊕CB4 | PF⊕DL4 | PF | PF | PF |
| SC5- | PC⊕DL5 | PC⊕DL5 | PC⊕CB5 | PC⊕DL5 | PC | PC | PC |
| SC6- | 1 | PB⊕DL6 | PC⊕CB6 | PB | PB | PB⊕DL6 | PB⊕DL7 |

*In CODE ID2-0 011 the Check-Bit Latch is forced transparent; the Data Latch operates normally.

TABLE 8. DIAGNOSTIC WRITE MODE

| Diagnostic Write Mode | CODE ID ₂₋₀ | | | | | | |
|-----------------------|------------------------|-----------------|-----------------|-----------------|-----|-----------------|-----------------|
| | 000 | 010 | 011* | 100 | 101 | 110 | 111 |
| SC ₀ -- | DL ₀ | DL ₀ | CB ₀ | DL ₀ | 1 | 1 | 1 |
| SC ₁ -- | DL ₁ | DL ₁ | CB ₁ | DL ₁ | 1 | 1 | 1 |
| SC ₂ -- | DL ₂ | DL ₂ | CB ₂ | DL ₂ | 1 | 1 | 1 |
| SC ₃ -- | DL ₃ | DL ₃ | CB ₃ | DL ₃ | 1 | 1 | 1 |
| SC ₄ -- | DL ₄ | DL ₄ | CB ₄ | DL ₄ | 1 | 1 | 1 |
| SC ₅ -- | DL ₅ | DL ₅ | CB ₅ | DL ₅ | 1 | 1 | 1 |
| SC ₆ -- | 1 | DL ₆ | CB ₆ | 1 | 1 | DL ₆ | DL ₇ |

*In CODE ID₂₋₀ 011 the Check-Bit Latch is forced transparent; the Data Input Latch operates normally.

TABLE 9. PASS THRU MODE

| PASS THRU Mode | CODE ID ₂₋₀ | | | | | | |
|--------------------|------------------------|-----|-----------------|-----|-----|-----|-----|
| | 000 | 010 | 011* | 100 | 101 | 110 | 111 |
| SC ₀ -- | C0 | C0 | CB ₀ | C0 | 1 | 1 | 1 |
| SC ₁ -- | C1 | C1 | CB ₁ | C1 | 1 | 1 | 1 |
| SC ₂ -- | C2 | C2 | CB ₂ | C2 | 1 | 1 | 1 |
| SC ₃ -- | C3 | C3 | CB ₃ | C3 | 1 | 1 | 1 |
| SC ₄ -- | C4 | C4 | CB ₄ | C4 | 1 | 1 | 1 |
| SC ₅ -- | C5 | C5 | CB ₅ | C5 | 1 | 1 | 1 |
| SC ₆ -- | 1 | C6 | CB ₆ | 1 | 1 | C6 | C6 |

*In CODE ID₂₋₀ 011 the Check-Bit Latch is forced transparent; the Data Input Latch operates normally.

Data Correction

Tables 10 to 16 shows which data output bits are corrected (inverted) depending upon the syndromes and the CODE ID position. Note that the syndromes that determine data correction are in some cases syndromes input externally via the CB

inputs and in some cases syndromes generated internally by that EDC (S_i are the internal syndromes and are the same as the value of the SC_i output of that EDC if enabled).

The tables show the number of data bit inverted (corrected) if any for the CODE ID and syndrome combination.

TABLE 10. CODE ID₂₋₀ = 000*

| | | S5 | | | | | | | |
|----|----|----|---|---|---|----|----|----|---|
| | | S4 | | | | | | | |
| | | S3 | | | | | | | |
| S2 | S1 | | | | | | | | |
| 0 | 0 | - | - | - | 5 | - | 11 | 14 | - |
| 0 | 1 | - | 1 | 2 | 6 | 8 | 12 | - | - |
| 1 | 0 | - | - | 3 | 7 | 9 | 13 | 15 | - |
| 1 | 1 | - | 0 | 4 | - | 10 | - | - | - |

*Unlisted S combinations are no correction.

TABLE 11. CODE ID₂₋₀ = 010*

| | | CB ₆ | | | | | | | |
|-----------------|-----------------|-----------------|----|----|---|---|---|---|---|
| | | CB ₅ | | | | | | | |
| | | CB ₄ | | | | | | | |
| | | CB ₃ | | | | | | | |
| CB ₂ | CB ₁ | | | | | | | | |
| 0 | 0 | - | 11 | 14 | - | - | - | - | 5 |
| 0 | 1 | 8 | 12 | - | - | - | 1 | 2 | 6 |
| 1 | 0 | 9 | 13 | 15 | - | - | - | 3 | 7 |
| 1 | 1 | 10 | - | - | - | - | 0 | 4 | - |

*Unlisted CB combinations are no correction.

TABLE 12. CODE ID₂₋₀ = 011*

| | | | | | | | | | | |
|-----------|-----------|-----------|---|---|---|---|----|----|----|---|
| | | S6 | 0 | 0 | 0 | 0 | 1 | 1 | 1 | 1 |
| | | S5 | 0 | 0 | 0 | 0 | 1 | 1 | 1 | 1 |
| | | S4 | 0 | 0 | 1 | 1 | 0 | 0 | 1 | 1 |
| | | S3 | 0 | 1 | 0 | 1 | 0 | 1 | 0 | 1 |
| S2 | S1 | | | | | | | | | |
| 0 | 0 | | - | - | - | 5 | - | 11 | 14 | - |
| 0 | 1 | | - | 1 | 2 | 6 | 8 | 12 | - | - |
| 1 | 0 | | - | - | 3 | 7 | 9 | 13 | 15 | - |
| 1 | 1 | | - | 0 | 4 | - | 10 | - | - | - |

*Unlisted S combinations are no correction.

TABLE 13. CODE ID₂₋₀ = 100*

| | | | | | | | | | | |
|-----------------------|-----------------------|-----------------------|----|----|----|---|---|---|---|---|
| | | CB₀ | 0 | 0 | 0 | 0 | 1 | 1 | 1 | 1 |
| | | CB₆ | 0 | 0 | 0 | 0 | 1 | 1 | 1 | 1 |
| | | CB₅ | 1 | 1 | 1 | 1 | 0 | 0 | 0 | 0 |
| | | CB₄ | 0 | 0 | 1 | 1 | 0 | 0 | 1 | 1 |
| | | CB₃ | 0 | 1 | 0 | 1 | 0 | 1 | 0 | 1 |
| CB₂ | CB₁ | | | | | | | | | |
| 0 | 0 | | - | 11 | 14 | - | - | - | - | 5 |
| 0 | 1 | | 8 | 12 | - | - | - | 1 | 2 | 6 |
| 1 | 0 | | 9 | 13 | 15 | - | - | - | 3 | 7 |
| 1 | 1 | | 10 | - | - | - | - | 0 | 4 | - |

*Unlisted CB combinations are no correction.

TABLE 14. CODE ID₂₋₀ = 101*

| | | | | | | | | | | |
|-----------------------|-----------------------|-----------------------|---|---|---|---|----|----|----|---|
| | | CB₀ | 0 | 0 | 0 | 0 | 1 | 1 | 1 | 1 |
| | | CB₆ | 0 | 0 | 0 | 0 | 1 | 1 | 1 | 1 |
| | | CB₅ | 0 | 0 | 0 | 0 | 1 | 1 | 1 | 1 |
| | | CB₄ | 0 | 0 | 1 | 1 | 0 | 0 | 1 | 1 |
| | | CB₃ | 0 | 1 | 0 | 1 | 0 | 1 | 0 | 1 |
| CB₂ | CB₁ | | | | | | | | | |
| 0 | 0 | | - | - | - | 5 | - | 11 | 14 | - |
| 0 | 1 | | - | 1 | 2 | 6 | 8 | 12 | - | - |
| 1 | 0 | | - | - | 3 | 7 | 9 | 13 | 15 | - |
| 1 | 1 | | - | 0 | 4 | - | 10 | - | - | - |

*Unlisted CB combinations are no correction.

TABLE 15. CODE ID₂₋₀ = 110*

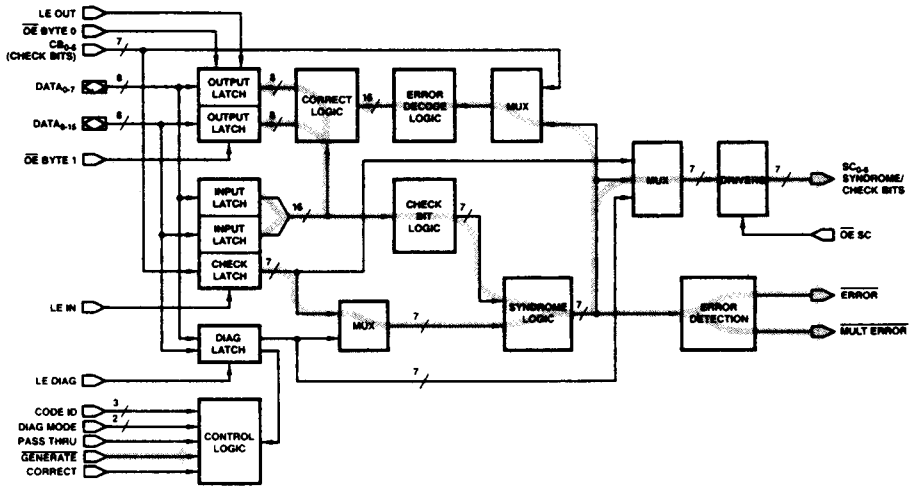
| | | | | | | | | | | |
|-----------------------|-----------------------|-----------------------|---|---|---|---|----|----|----|---|
| | | CB₀ | 0 | 0 | 0 | 0 | 1 | 1 | 1 | 1 |
| | | CB₆ | 1 | 1 | 1 | 1 | 0 | 0 | 0 | 0 |
| | | CB₅ | 0 | 0 | 0 | 0 | 1 | 1 | 1 | 1 |
| | | CB₄ | 0 | 0 | 1 | 1 | 0 | 0 | 1 | 1 |
| | | CB₃ | 0 | 1 | 0 | 1 | 0 | 1 | 0 | 1 |
| CB₂ | CB₁ | | | | | | | | | |
| 0 | 0 | | - | - | - | 5 | - | 11 | 14 | - |
| 0 | 1 | | - | 1 | 2 | 6 | 8 | 12 | - | - |
| 1 | 0 | | - | - | 3 | 7 | 9 | 13 | 15 | - |
| 1 | 1 | | - | 0 | 4 | - | 10 | - | - | - |

*Unlisted CB combinations are no correction.

TABLE 16. CODE ID₂₋₀ = 111*

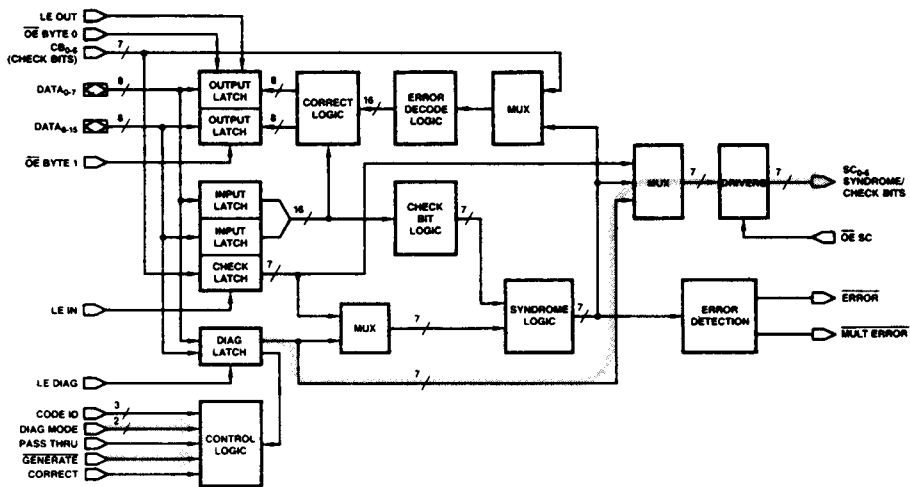
| | | | | | | | | | | |
|-----------------------|-----------------------|-----------------------|----|----|----|---|---|---|---|---|
| | | CB₀ | 0 | 0 | 0 | 0 | 1 | 1 | 1 | 1 |
| | | CB₆ | 1 | 1 | 1 | 1 | 0 | 0 | 0 | 0 |
| | | CB₅ | 1 | 1 | 1 | 1 | 0 | 0 | 0 | 0 |
| | | CB₄ | 0 | 0 | 1 | 1 | 0 | 0 | 1 | 1 |
| | | CB₃ | 0 | 1 | 0 | 1 | 0 | 1 | 0 | 1 |
| CB₂ | CB₁ | | | | | | | | | |
| 0 | 0 | | - | 11 | 14 | - | - | - | - | 5 |
| 0 | 1 | | 8 | 12 | - | - | - | 1 | 2 | 6 |
| 1 | 0 | | 9 | 13 | 15 | - | - | - | 3 | 7 |
| 1 | 1 | | 10 | - | - | - | - | 0 | 4 | - |

*Unlisted CB combinations are no correction.



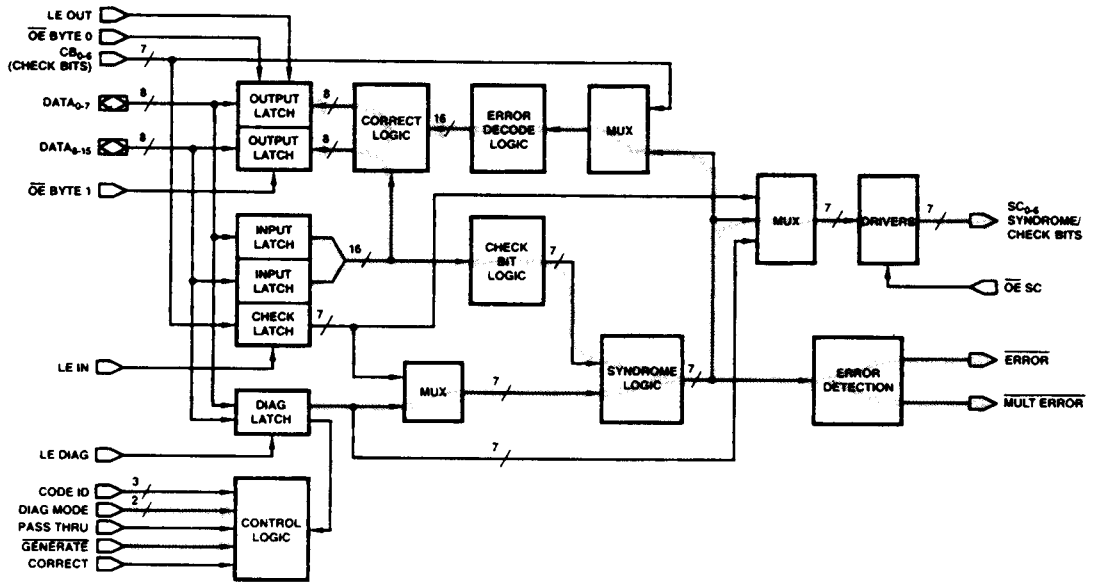
DF000280

Figure 2. Error Detection and Correction Data Path



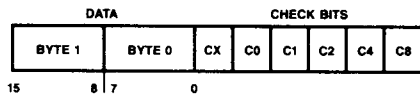
DF000280

Figure 3. Diagnostic Check Bit Generation Data Path



DF000280

Figure 4. Diagnostic Detect and Correct Data Path

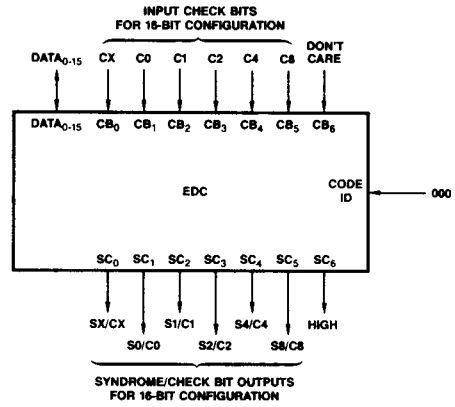


DF000220

Uses Modified Hamming Code 16/22

- 16 data bits
- 6 check bits
- 22 bits in total

Figure 5. 16-Bit Data Format



DF000210

Figure 6. 16-Bit Configuration

**SYNDROME DECODE
TO BIT-IN-ERROR
8-BIT MODE**

| Syndrome Bits | S4 | S2 | S0 | S1 | | |
|------------------|----|----|----|----|----|---|
| | 0 | 1 | 0 | 1 | | |
| 0 | 0 | 0 | 0 | 0 | * | 5 |
| 0 | 1 | 0 | 0 | 1 | C4 | 5 |
| 1 | 0 | 0 | 1 | 0 | C1 | 7 |
| 1 | 0 | 1 | 0 | 0 | C0 | 6 |
| 1 | 1 | 1 | 1 | 1 | TM | 7 |
| 1 | 1 | 0 | 1 | 1 | TM | 6 |
| 1 | 1 | 1 | 1 | 0 | TM | 4 |

* - no errors detected
TM - two or more errors

TABLE 17. 16-BIT MODIFIED HAMMING CODE - CHECK BIT ENCODE CHART

| Generated Check Bits | Parity | Participating Data Bits | | | | | | | | | | | | | | | |
|----------------------|------------|-------------------------|---|---|---|---|---|---|---|---|---|----|----|----|----|----|----|
| | | 0 | 1 | 2 | 3 | 4 | 5 | 6 | 7 | 8 | 9 | 10 | 11 | 12 | 13 | 14 | 15 |
| CX | Even (XOR) | | X | X | X | | X | | | X | X | X | | | | X | |
| C0 | Even (XOR) | X | X | X | | X | | X | | X | | X | | X | | | |
| C1 | Odd (XNOR) | X | | | X | X | | X | | X | X | | | X | | X | X |
| C2 | Odd (XNOR) | X | X | | | X | X | X | | | | X | | X | X | | |
| C4 | Even (XOR) | | | X | X | X | X | X | X | | | | | | | X | X |
| C8 | Even (XOR) | | | | | | | | | | | X | X | X | X | X | X |

The check bit is generated as either an XOR or XNOR of the eight data bits noted by an "X" in the table.

TABLE 18. SYNDROME DECODE TO BIT-IN-ERROR

| Syndrome Bits | S8 | 0 | 1 | 0 | 1 | 0 | 1 | 0 | 1 |
|---------------|----|----|----|----|----|----|---|---|---|
| SX S0 S1 | S4 | 0 | 0 | 1 | 1 | 0 | 0 | 1 | 1 |
| | S2 | 0 | 0 | 0 | 0 | 1 | 1 | 1 | 1 |
| 0 0 0 | * | C8 | C4 | T | C2 | T | T | M | |
| 0 0 1 | C1 | T | T | 15 | T | 13 | 7 | T | |
| 0 1 0 | C0 | T | T | M | T | 12 | 6 | T | |
| 0 1 1 | T | 10 | 4 | T | 0 | T | T | M | |
| 1 0 0 | CX | T | T | 14 | T | 11 | 5 | T | |
| 1 0 1 | T | 9 | 3 | T | M | T | T | M | |
| 1 1 0 | T | 8 | 2 | T | 1 | T | T | M | |
| 1 1 1 | M | T | T | M | T | M | M | T | |

* - no errors detected
 Number - location of the single bit-in-error
 T - two errors detected
 M - three or more errors detected

TABLE 19. 16-BIT DIAGNOSTIC LATCH LOADING FORMAT

| Data Bit | Internal Function |
|----------|------------------------|
| 0 | Diagnostic Check Bit X |
| 1 | Diagnostic Check Bit 0 |
| 2 | Diagnostic Check Bit 1 |
| 3 | Diagnostic Check Bit 2 |
| 4 | Diagnostic Check Bit 4 |
| 5 | Diagnostic Check Bit 8 |
| 6, 7 | Don't Care |
| 8 | CODE ID 0 |
| 9 | CODE ID 1 |
| 10 | CODE ID 2 |
| 11 | DIAG MODE 0 |
| 12 | DIAG MODE 1 |
| 13 | CORRECT |
| 14 | PASS THRU |
| 15 | Don't Care |

32-BIT DATA WORD CONFIGURATION

The 32-bit format consists of 32 data bits and 7 check bits and is referred to as 32/39 code (see Figure 7).

The 32-bit configuration is shown in Figure 8.

The upper EDC (Slice 0/1) handles the least significant bytes 0 and 1 - the external DATA lines 0 to 15 are connected to the same numbered inputs of the upper device. The lower EDC (Slice 2/3) handles the most significant bytes 2 and 3-the external DATA lines for bits 16 to 31 are connected to inputs DATA₀ through DATA₁₅ respectively.

The valid syndrome and check bit outputs are those of Slice 2/3 as shown in the diagram. In Correct Mode these must be read into Slice 0/1 via the CB inputs and are selected by the MUX as inputs to the bit-in-error decoder (see block diagram). This requires external buffering and output enabling of the check bit lines, as shown. The OE SC signal can be used to control enabling of check bit inputs - when syndrome outputs are enabled, the external check bit inputs will be disabled.

The valid ERROR and MULT ERROR outputs are those of the Slice 2/3. The ERROR and MULT ERROR outputs of Slice 0/1 are unspecified. All of the latch enables and control signals must be input to both of the devices.

Generate Mode

In this mode, check bits will be generated that correspond to the contents of the Data Input Latch. The check bits generated are placed on the outputs SC₀₋₆ of Slice 2/3.

Check bits are generated according to a modified Hamming code. Details of the code for check bit generation are contained in Table 23. Check bits are generated as either an XOR or XNOR of 16 of the 32 data bits as indicated in the table. The XOR function results in an even parity check bit, the XNOR in an odd parity check bit.

Detect Mode

In this mode, the device examines the contents of the Data Input Latch against the Check Bit Input Latch, and will detect all single-bit errors, all double-bit errors, and some triple-bit errors. If one or more errors are detected, ERROR goes LOW. If two or more errors are detected, MULT ERROR goes LOW. Both error indicators are HIGH if there are no errors. The valid ERROR and MULT ERROR signals are those of Slice 2/3 - those of Slice 0/1 are undefined.

Also available on Slice 2/3 outputs SC₀₋₆ are the syndrome bits generated by the error detection step. The syndrome bits may be decoded to determine if a bit error was detected and,

Also available on Slice 2/3 outputs SC₀₋₆ are the syndrome bits generated by the error detection step. The syndrome bits may be decoded to determine if a bit error was detected and, for single-bit errors, which of the data or check bits is in error. Table 20 gives the chart for decoding the syndrome bits generated for the 32-bit configuration (as an example, if the syndrome bits SX/S0/S1/S2/S4/S8/S16 were 0010011, this would be decoded to indicate that there is a single-bit error at data bit 25). If no error is detected, the syndrome bits will be all zeroes.

In Detect Mode, the contents of the Data Input Latch are driven directly to the inputs of the Data Output Latch without corrections.

Correct Mode

In this mode, the EDC functions the same as in Detect Mode except that the correction network is allowed to correct (complement) any single-bit error of the Data Input Latch before putting it onto the inputs of the Data Output Latch. If multiple errors are detected, the output of the correction network is unspecified. If the single-bit error is a check bit, there is no automatic correction; if desired, this would be done by placing the device in Generate Mode to produce a correct check bit sequence for the data in the Data Input Latch.

For data correction, both Slices 0/1 and 2/3 require access to the syndrome bits on Slice 2/3's outputs SC₀₋₆. Slice 2/3 has access to these syndrome bits through internal data paths, but for Slice 0/1 they must be read through the inputs CB₀₋₆. The device connections for this are shown in Figure 8. When in Correct Mode, the SC outputs must be enabled so that they are available for reading in through the CB inputs.

Pass Thru Mode

In this mode, the unmodified contents of the Data Input Latch are placed on the inputs of the Data Output latch, and the contents of the Check Bit Input Latch are placed on outputs SC₀₋₆ of Slice 2/3. ERROR and MULT ERROR are forced HIGH in this mode.

Internal Control Mode

This mode is selected by CODE ID₂₋₀ input 001 (ID₂, ID₁, ID₀). When in Internal Control Mode, the EDC takes the CODE ID₂₋₀ DIAG MODE₀₋₁, CORRECT and PASS THRU control signals from the Internal Diagnostic Latch rather than from the external input lines.

Table 22 gives the format for loading the Diagnostic Latch.

TABLE 20.
SYNDROME DECODE TO BIT-IN-ERROR

| Syndrome Bits | S16 | 0 | 1 | 0 | 1 | 0 | 1 | 0 | 1 |
|---------------|-----|-----|----|----|----|---|----|----|----|
| | S8 | 0 | 0 | 1 | 1 | 0 | 0 | 1 | 1 |
| | S4 | 0 | 0 | 0 | 0 | 1 | 1 | 1 | 1 |
| SX S0 S1 S2 | | | | | | | | | |
| 0 0 0 0 | * | C16 | C8 | T | C4 | T | T | T | 30 |
| 0 0 0 1 | C2 | T | T | 27 | T | 5 | M | T | |
| 0 0 1 0 | C1 | T | T | 25 | T | 3 | 15 | T | |
| 0 0 1 1 | T | M | 13 | T | 23 | T | T | M | |
| 0 1 0 0 | C0 | T | T | 24 | T | 2 | M | T | |
| 0 1 0 1 | T | 1 | 12 | T | 22 | T | T | M | |
| 0 1 1 0 | T | M | 10 | T | 20 | T | T | M | |
| 0 1 1 1 | 16 | T | T | M | T | M | M | T | |
| 1 0 0 0 | CX | T | T | M | T | M | 14 | T | |
| 1 0 0 1 | T | M | 11 | T | 21 | T | T | M | |
| 1 0 1 0 | T | M | 9 | T | 19 | T | T | 31 | |
| 1 0 1 1 | M | T | T | 29 | T | 7 | M | T | |
| 1 1 0 0 | T | M | 8 | T | 18 | T | T | M | |
| 1 1 0 1 | 17 | T | T | 28 | T | 6 | M | T | |
| 1 1 1 0 | M | T | T | 26 | T | 4 | M | T | |
| 1 1 1 1 | T | 0 | M | T | M | T | T | M | |

* - no errors detected

Number - number of the single bit-in-error

T - two errors detected

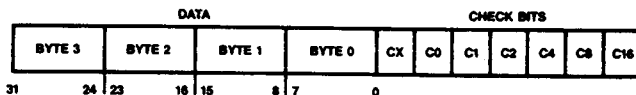
M - three or more errors detected

Diagnostic Latch

The Diagnostic Latch serves both for diagnostic uses and internal control uses. It is loaded from the DATA lines under the control of LE DIAG. Table 22 shows the loading definitions for the DATA lines.

Diagnostic Generate/Diagnostic Detect/ Diagnostic Correct

These are special diagnostic modes selected by DIAG MODE₀₋₁ where either normal check bit inputs or outputs are substituted for by check bits from the Diagnostic Latch (see Table 2 for details). Figures 3 and 4 illustrate the flow of data during the two diagnostic modes.



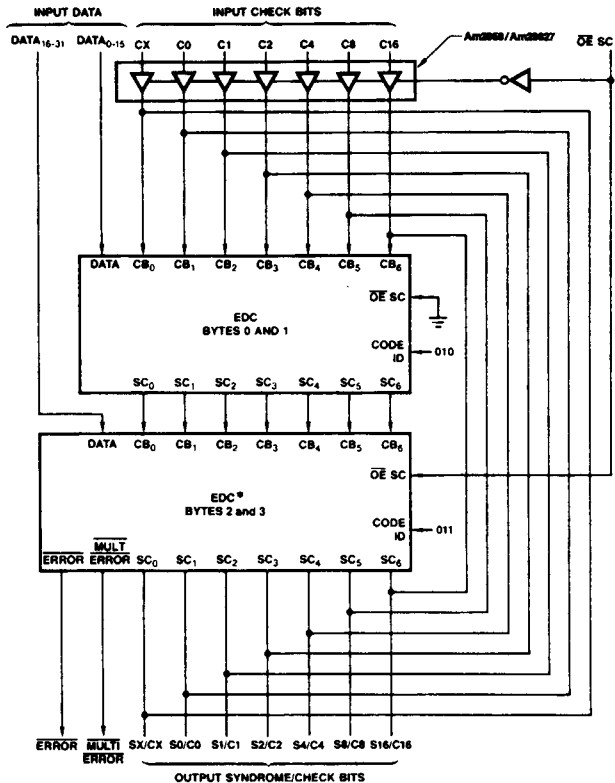
DF000460

- 32 data bits

Uses Modified Hamming Code 32/39
- 7 check bits

- 39 bits in total

Figure 7. 32-Bit Data Format



DF000111

*Check Bit Latch is Forced Transparent in this Code ID Combination for this Slice.

Figure 8. 32-Bit Configuration

TABLE 21.
KEY AC CALCULATIONS FOR THE 32-BIT CONFIGURATION

| 32-Bit Propagation Delay | | Component Delay from Am2960 AC Specifications |
|--------------------------|------------------------|--|
| From | To | |
| DATA | Check Bits Out | (Data to SC) + (CB to SC, CODE ID 011) |
| DATA In | Corrected DATA Out | (DATA to SC) + (CB to SC, CODE ID 011) + (CB to DATA, CODE ID 010) |
| DATA | Syndromes Out | (DATA to SC) + (CB to SC, CODE ID 011) |
| DATA | ERROR for 32 Bits | (DATA to SC) + (CB to ERROR, CODE ID 011) |
| DATA | MULT ERROR for 32 Bits | (DATA to SC) + (CB to MULT ERROR, CODE ID 011) |

TABLE 22.
32-BIT DIAGNOSTIC LATCH LOADING FORMAT

| Data Bit | Internal Function |
|----------|-------------------------|
| 0 | Diagnostic Check Bit X |
| 1 | Diagnostic Check Bit 0 |
| 2 | Diagnostic Check Bit 1 |
| 3 | Diagnostic Check Bit 2 |
| 4 | Diagnostic Check Bit 4 |
| 5 | Diagnostic Check Bit 8 |
| 6 | Diagnostic Check Bit 16 |
| 7 | Don't Care |
| 8 | Slice 0/1 - CODE ID 0 |
| 9 | Slice 0/1 - CODE ID 1 |
| 10 | Slice 0/1 - CODE ID 2 |
| 11 | Slice 0/1 - DIAG MODE 0 |
| 12 | Slice 0/1 - DIAG MODE 1 |
| 13 | Slice 0/1 - CORRECT |
| 14 | Slice 0/1 - PASS THRU |
| 15 | Don't Care |
| 16-23 | Don't Care |
| 24 | Slice 2/3 - CODE ID 0 |
| 25 | Slice 2/3 - CODE ID 1 |
| 26 | Slice 2/3 - CODE ID 2 |
| 27 | Slice 2/3 - DIAG MODE 0 |
| 28 | Slice 2/3 - DIAG MODE 1 |
| 29 | Slice 2/3 - CORRECT |
| 30 | Slice 2/3 - PASS THRU |
| 31 | Don't Care |

TABLE 23.
32-BIT MODIFIED HAMMING CODE - CHECK BIT ENCODE CHART

| Generated Check Bits | Parity | Participating Data Bits | | | | | | | | | | | | | | | |
|----------------------|------------|-------------------------|---|---|---|---|---|---|---|---|---|----|----|----|----|----|----|
| | | 0 | 1 | 2 | 3 | 4 | 5 | 6 | 7 | 8 | 9 | 10 | 11 | 12 | 13 | 14 | 15 |
| CX | Even (XOR) | X | | | | X | X | X | X | X | X | | | | | X | |
| C0 | Even (XOR) | X | X | X | | X | X | | | X | X | | | | | X | |
| C1 | Odd (XNOR) | X | | X | | X | | X | | X | X | | | | X | X | |
| C2 | Odd (XNOR) | X | X | | | X | X | X | | | | X | | | X | X | |
| C4 | Even (XOR) | | X | X | | X | X | X | X | | | | | | | X | X |
| C8 | Even (XOR) | | | | | | | | | X | X | X | X | | X | X | X |
| C16 | Even (XOR) | X | X | X | X | X | X | X | X | | | | | | | | |

| Generated Check Bits | Parity | Participating Data Bits | | | | | | | | | | | | | | | |
|----------------------|------------|-------------------------|----|----|----|----|----|----|----|----|----|----|----|----|----|----|----|
| | | 16 | 17 | 18 | 19 | 20 | 21 | 22 | 23 | 24 | 25 | 26 | 27 | 28 | 29 | 30 | 31 |
| CX | Even (XOR) | X | X | X | | X | | | | | X | | | X | X | X | |
| C0 | Even (XOR) | X | X | X | | X | X | | | X | X | | | X | | | |
| C1 | Odd (XNOR) | X | | X | | X | | X | | X | X | | | X | X | | |
| C2 | Odd (XNOR) | X | X | | | X | X | X | | | | X | | X | X | | |
| C4 | Even (XOR) | | X | X | | X | X | X | X | | | | | | | X | X |
| C8 | Even (XOR) | | | | | | | | | X | X | X | X | | X | X | X |
| C16 | Even (XOR) | X | X | X | X | X | X | X | X | X | X | X | X | X | X | X | X |

The check bit is generated as either an XOR or XNOR of the sixteen data bits noted by an "X" in the table.

64-BIT DATA WORD CONFIGURATION

The 64-bit format consists of 64 data bits, 8 check bits and is referred to as 64/72 code (see Figure 9.).

The configuration to process 64-bit format is shown in Figure 6. In this configuration, a portion of the syndrome generation and error detection is implemented externally of the EDCs in MSI. For error correction, the syndrome bits generated must be read back into all four EDCs through the CB inputs. This necessitates the check bit buffering shown in the connection diagram of Figure 10. The \overline{OE} SC signal can control the check bit enabling; when syndrome bit outputs are enabled, the external check bit lines will be disabled so that the syndrome bits may be read onto the CB inputs.

The error detection signals for the 64-bit configuration differ from the 16- and 32-bit configurations. The **ERROR** signal functions the same: it is LOW if one or more errors are detected, and HIGH if no errors are detected. The **DOUBLE ERROR** signal is HIGH if and only if a double-bit error is detected; it is LOW otherwise. All of the **MULT ERROR** outputs of the four devices are valid. **MULT ERROR** is LOW for all three **ERROR** cases and some **DOUBLE ERROR** combinations. (See TOME definition in Functional Equations section.) It is HIGH if either zero or one errors are detected.

This is a different meaning for **MULT ERROR** than in other configurations.

Generate Mode

In this mode, check bits will be generated that correspond to the contents of the Data Input Latch. The check bits generated appear at the outputs of the XOR gates as indicated in Figure 10.

Check bits are generated according to a modified Hamming code. Details of the code for check bit generation are contained in Table 25. Check bits are generated as either an XOR or XNOR of 32 of the 64 bits as indicated in the table. The XOR function results in an even parity check bit, the XNOR in an odd parity check bit.

Detect Mode

In this mode, the device examines the contents of the Data Input Latch against the Check Bit Input Latch, and will detect all single-bit errors, all double-bit errors and some triple-bit errors. If one or more errors are detected, **ERROR** goes LOW. If exactly two errors are detected, **DOUBLE ERROR** goes HIGH. If three or more errors are detected, **MULT ERROR** goes LOW – the **MULT ERROR** output of any of the four EDCs may be used.

Available as XOR gate outputs are the generated syndrome bits (see Figure 10). The syndrome bits may be decoded to determine if a bit error was detected and, for single-bit errors, which of the data or check bits is in error. Table 26 gives the chart for encoding the syndrome bits generated for the 64-bit configuration (as an example, if the syndrome bits SX/S1/S2/

S4/S8/S16/S32 were 00100101, this would be decoded to indicate that there is a single-bit error at data bit 41). If no error is detected, the syndrome bits will all be zeroes.

In Detect Mode, the contents of the Data Input Latch are driven directly to the inputs of the Data Output Latch without corrections.

Correct Mode

In this mode, the EDC functions the same as in Detect Mode except that the correction network is allowed to correct (complement) any single-bit error of the Data Input Latch before putting it onto the inputs of the Data Output Latch. If multiple errors are detected, the output of the correction network is unspecified. If the single-bit error is a check bit, there is no automatic correction. Check bit correction can be done by placing the device in generate mode to produce a correct check bit sequence for the data in the Data Input Latch.

To perform the correction step, all four slices require access to the syndrome bits which are generated externally of the devices. This access is provided by reading the syndrome bits in through the CB inputs, where they are selected as inputs to the bit-in-error decoder by the multiplexer (see Block Diagram). The device connections for this are shown in Figure 10. When in Correct Mode, the SC outputs must be enabled so that the syndrome bits are available at the CB inputs.

Pass Thru Mode

In this mode, the unmodified contents of the Data Input Latch are placed on the inputs of the Data Output Latch, and the contents of Check Bit Input Latch are passed through the external XOR network and appear inverted at the XOR gate outputs labeled CX to C32 (see Figure 10).

Diagnostic Latch

The Diagnostic Latch serves both for diagnostic uses and internal control uses. It is loaded from the DATA lines under the control of LE DIAG. Table 27 shows the loading definitions for the DATA lines.

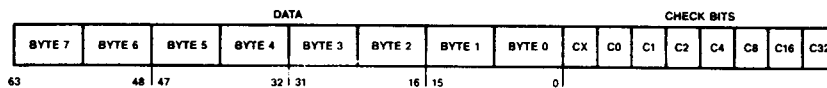
Diagnostic Generate/Diagnostic Detect/ Diagnostic Correct

These are special diagnostic modes selected by DIAG MODE₀₋₁ where either normal check bit inputs or outputs are substituted for by check bits from the Diagnostic Latch. See Table 2 for details.

Internal Control Mode

This mode is selected by CODE ID₂₋₀, input 001 (ID₂, ID₁, ID₀).

When in Internal Control Mode, the EDC takes the CODE ID₂₋₀, DIAG MODE₀₋₁, CORRECT and PASS THRU signals from the internal Diagnostic Latch rather than from the external control lines. Table 27 gives format for loading the Diagnostic Latch.



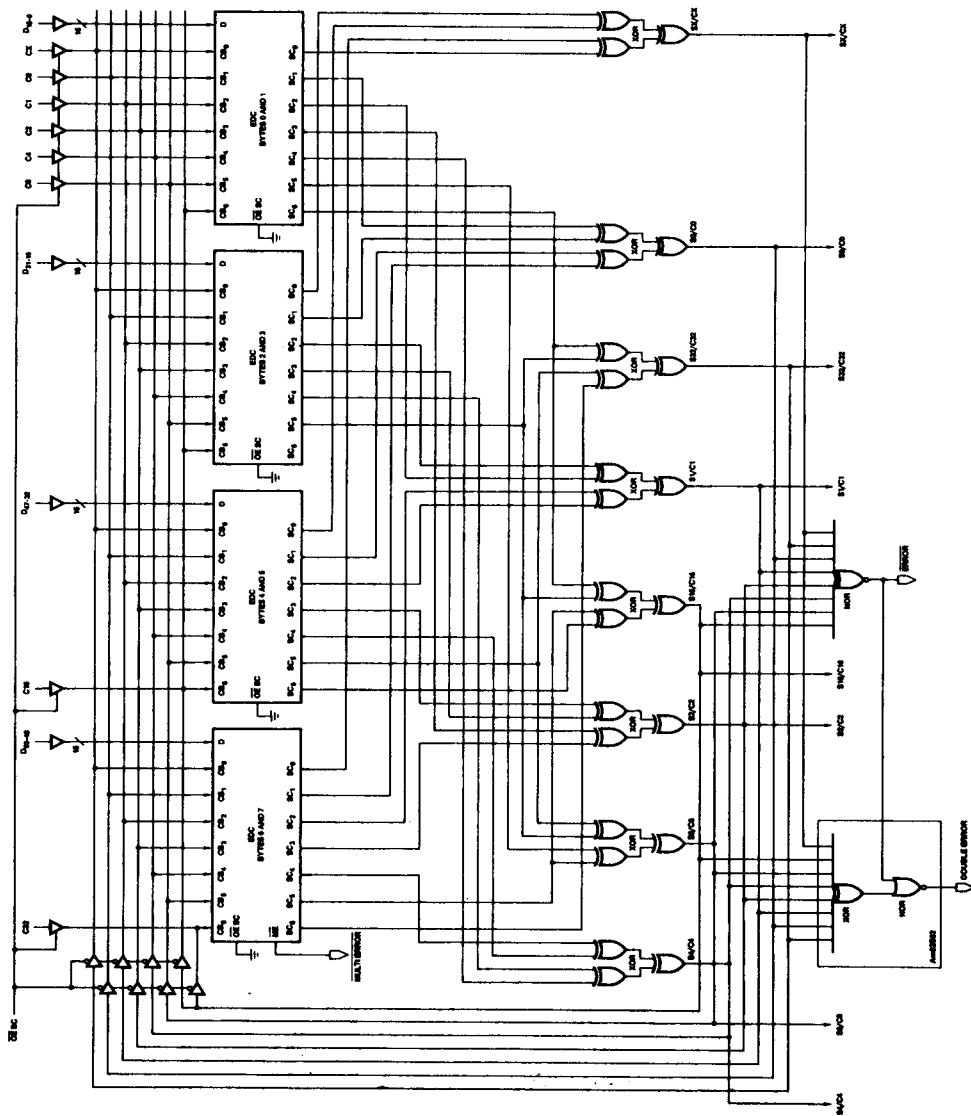
DF000920

– 64 data bits

Uses Modified Hamming Code 64/72
– 8 check bits

– 72 bits in total

Figure 9. 64-Bit Data Format



BD001250

Notes: 1. In Pass Thru Mode the Contents of the Check Latch Appear on the XOR Outputs Inverted.
 2. In Diagnostic Generate Mode the Contents of the Diagnostic Latch Appear on the XOR Outputs Inverted.

Figure 10. 64-Bit Data Configuration

**TABLE 24.
KEY AC CALCULATIONS FOR THE 64-BIT CONFIGURATION**

| 64-Bit Propagation Delay | | Component Delays from Am2960 AC Specifications, plus MSI |
|--------------------------|--------------------------|---|
| From | To | |
| DATA | Check Bits Out | (DATA to SC) + (XOR Delay) |
| DATA In | Corrected DATA Out | (DATA to SC) + (XOR Delay) + (Buffer Delay) + (CB to DATA, CODE ID 1xx) |
| DATA | Syndromes | (DATA to SC) + (XOR Delay) |
| DATA | ERROR for 64 Bits | (DATA to SC) + (XOR Delay) + (NOR Delay) |
| DATA | MULT ERROR for 64 Bits | (DATA to SC) + (XOR Delay) + (Buffer Delay) + (CB to MULT ERROR, CODE ID 1xx) |
| DATA | DOUBLE ERROR for 64 Bits | (DATA to SC) + (XOR Delay) + (XOR/NOR Delay) |

TABLE 25. 64-BIT MODIFIED HAMMING CODE - CHECK BIT ENCODE CHART

| Generated Check Bits | Parity | Participating Data Bits | | | | | | | | | | | | | | | |
|----------------------|------------|-------------------------|---|---|---|---|---|---|---|---|---|----|----|----|----|----|----|
| | | 0 | 1 | 2 | 3 | 4 | 5 | 6 | 7 | 8 | 9 | 10 | 11 | 12 | 13 | 14 | 15 |
| CX | Even (XOR) | | X | X | X | | X | | | X | X | | X | | | X | |
| C0 | Even (XOR) | X | X | X | | X | | X | | X | | X | | X | | X | |
| C1 | Odd (XNOR) | X | | | X | X | | | X | | X | | | X | | X | |
| C2 | Odd (XNOR) | X | X | | | | X | X | X | | | X | | X | X | | |
| C4 | Even (XOR) | | | X | X | X | X | X | | | | | | | | X | X |
| C8 | Even (XOR) | | | | | | | | | X | X | X | X | X | X | X | X |
| C16 | Even (XOR) | X | X | X | X | X | X | X | X | | | | | | | | |
| C32 | Even (XOR) | X | X | X | X | X | X | X | X | | | | | | | | |

| Generated Check Bits | Parity | Participating Data Bits | | | | | | | | | | | | | | | |
|----------------------|------------|-------------------------|----|----|----|----|----|----|----|----|----|----|----|----|----|----|----|
| | | 16 | 17 | 18 | 19 | 20 | 21 | 22 | 23 | 24 | 25 | 26 | 27 | 28 | 29 | 30 | 31 |
| CX | Even (XOR) | | X | X | X | | X | | | X | X | | X | | | X | |
| C0 | Even (XOR) | X | X | X | | X | | X | | X | | X | | X | | X | |
| C1 | Odd (XNOR) | X | | | X | X | | | X | | X | | | X | | X | |
| C2 | Odd (XNOR) | X | X | | | | X | X | X | | | X | | X | X | | |
| C4 | Even (XOR) | | | X | X | X | X | X | | | | | | | | X | X |
| C8 | Even (XOR) | | | | | | | | | X | X | X | X | X | X | X | X |
| C16 | Even (XOR) | | | | | | | | | X | X | X | X | X | X | X | X |
| C32 | Even (XOR) | | | | | | | | | X | X | X | X | X | X | X | X |

**TABLE 25. (Cont'd.)
64-BIT MODIFIED HAMMING CODE - CHECK BIT ENCODE CHART**

| Generated Check Bits | Parity | Participating Data Bits | | | | | | | | | | | | | | | |
|----------------------|------------|-------------------------|----|----|----|----|----|----|----|----|----|----|----|----|----|----|----|
| | | 32 | 33 | 34 | 35 | 36 | 37 | 38 | 39 | 40 | 41 | 42 | 43 | 44 | 45 | 46 | 47 |
| CX C0 | Even (XOR) | X | | | | X | X | X | | | X | | X | X | | X | |
| | Even (XOR) | X | X | X | | X | | X | | X | X | | X | | | | |
| C1 C2 | Odd (XNOR) | X | | | X | X | | X | | X | X | | | X | | X | |
| | Odd (XNOR) | X | X | | | | X | X | X | | | X | X | | | | |
| C4 C8 | Even (XOR) | | | X | X | X | X | X | | | | | | | X | X | |
| | Even (XOR) | | | | | | | | | X | X | X | X | X | X | X | |
| C16 C32 | Even (XOR) | X | X | X | X | X | X | X | | | | | | | | | |
| | Even (XOR) | X | X | X | X | X | X | X | X | X | X | X | X | X | X | X | |

| Generated Check Bits | Parity | Participating Data Bits | | | | | | | | | | | | | | | |
|----------------------|------------|-------------------------|----|----|----|----|----|----|----|----|----|----|----|----|----|----|----|
| | | 48 | 49 | 50 | 51 | 52 | 53 | 54 | 55 | 56 | 57 | 58 | 59 | 60 | 61 | 62 | 63 |
| CX C0 | Even (XOR) | X | | | | X | X | X | | | X | | X | X | | X | |
| | Even (XOR) | X | X | X | | X | | X | | X | X | | X | | | | |
| C1 C2 | Odd (XNOR) | X | | | X | X | | X | | X | X | | | X | | X | |
| | Odd (XNOR) | X | X | | | | X | X | X | | | X | X | | | | |
| C4 C8 | Even (XOR) | | | X | X | X | X | X | | | | | | | X | X | |
| | Even (XOR) | | | | | | | | | X | X | X | X | X | X | X | |
| C16 C32 | Even (XOR) | | | | | | | | | X | X | X | X | X | X | X | |
| | Even (XOR) | X | X | X | X | X | X | X | X | X | X | X | X | X | X | X | |

The check bit is generated as either an XOR or XNOR of the 32 data bits noted by an "X" in the table.

TABLE 26. 64-BIT SYNDROME DECODE TO BIT-IN-ERROR

| Syndrome Bits | | | | S32 | S16 | S8 | S4 | | | | | | | | | | | | | | | | | | | | | | |
|---------------|----|----|----|-----|-----|-----|----|----|----|----|----|----|----|----|---|----|----|----|----|---|---|---|---|---|---|---|---|---|---|
| SX | S0 | S1 | S2 | 0 | 1 | 0 | 1 | 0 | 1 | 0 | 1 | 0 | 1 | 0 | 1 | 0 | 1 | 0 | 1 | 0 | 1 | 0 | 1 | 0 | 1 | 0 | 1 | 0 | 1 |
| 0 | 0 | 0 | 0 | * | C32 | C16 | T | C8 | T | T | M | C4 | T | T | M | T | 46 | 62 | T | | | | | | | | | | |
| 0 | 0 | 0 | 1 | C2 | T | T | M | T | 43 | 59 | T | T | 53 | 37 | T | M | T | T | M | | | | | | | | | | |
| 0 | 0 | 1 | 0 | C1 | T | T | M | T | 41 | 57 | T | T | 51 | 35 | T | 15 | T | T | 31 | | | | | | | | | | |
| 0 | 0 | 1 | 1 | T | M | M | T | 13 | T | T | 29 | 23 | T | T | 7 | T | M | M | T | | | | | | | | | | |
| 0 | 1 | 0 | 0 | C0 | T | T | M | T | 40 | 56 | T | T | 50 | 34 | T | M | T | T | M | | | | | | | | | | |
| 0 | 1 | 0 | 1 | T | 49 | 33 | T | 12 | T | T | 28 | 22 | T | T | 6 | T | M | M | T | | | | | | | | | | |
| 0 | 1 | 1 | 0 | T | M | M | T | 10 | T | T | 26 | 20 | T | T | 4 | T | M | M | T | | | | | | | | | | |
| 0 | 1 | 1 | 1 | 16 | T | T | 0 | T | M | M | T | T | M | M | T | M | T | T | M | | | | | | | | | | |
| 1 | 0 | 0 | 0 | CX | T | T | M | T | M | M | T | T | M | M | T | 14 | T | T | 30 | | | | | | | | | | |
| 1 | 0 | 0 | 1 | T | M | M | T | 11 | T | T | 27 | 21 | T | T | 5 | T | M | M | T | | | | | | | | | | |
| 1 | 0 | 1 | 0 | T | M | M | T | 9 | T | T | 25 | 19 | T | T | 3 | T | 47 | 63 | T | | | | | | | | | | |
| 1 | 0 | 1 | 1 | M | T | T | M | T | 45 | 61 | T | T | 55 | 39 | T | M | T | T | M | | | | | | | | | | |
| 1 | 1 | 0 | 0 | T | M | M | T | 8 | T | T | 24 | 18 | T | T | 2 | T | M | M | T | | | | | | | | | | |
| 1 | 1 | 0 | 1 | 17 | T | T | 1 | T | 44 | 60 | T | T | 54 | 38 | T | M | T | T | M | | | | | | | | | | |
| 1 | 1 | 1 | 0 | M | T | T | M | T | 42 | 58 | T | T | 52 | 36 | T | M | T | T | M | | | | | | | | | | |
| 1 | 1 | 1 | 1 | T | 48 | 32 | T | M | T | T | M | M | T | T | M | T | M | M | T | | | | | | | | | | |

* - no errors detected

Number - the number of the single bit-in-error

T - two errors detected

M - more than two errors detected

TABLE 27. 64-BIT DIAGNOSTIC LATCH LOADING FORMAT

| Data Bit | Internal Function |
|----------|-------------------------|
| 0 | Diagnostic Check Bit X |
| 1 | Diagnostic Check Bit 0 |
| 2 | Diagnostic Check Bit 1 |
| 3 | Diagnostic Check Bit 2 |
| 4 | Diagnostic Check Bit 4 |
| 5 | Diagnostic Check Bit 8 |
| 6, 7 | Don't Care |
| 8 | Slice 0/1 - CODE ID 0 |
| 9 | Slice 0/1 - CODE ID 1 |
| 10 | Slice 0/1 - CODE ID 2 |
| 11 | Slice 0/1 - DIAG MODE 0 |
| 12 | Slice 0/1 - DIAG MODE 1 |
| 13 | Slice 0/1 - CORRECT |
| 14 | Slice 0/1 - PASS THRU |
| 15 | Don't Care |
| 16-23 | Don't Care |
| 24 | Slice 2/3 - CODE ID 0 |
| 25 | Slice 2/3 - CODE ID 1 |
| 26 | Slice 2/3 - CODE ID 2 |
| 27 | Slice 2/3 - DIAG MODE 0 |
| 28 | Slice 2/3 - DIAG MODE 1 |
| 29 | Slice 2/3 - CORRECT |
| 30 | Slice 2/3 - PASS THRU |

| Data Bit | Internal Function |
|----------|-------------------------|
| 31 | Don't Care |
| 32-37 | Don't Care |
| 38 | Diagnostic Check Bit 16 |
| 39 | Don't Care |
| 40 | Slice 4/5 - CODE ID 0 |
| 41 | Slice 4/5 - CODE ID 1 |
| 42 | Slice 4/5 - CODE ID 2 |
| 43 | Slice 4/5 - DIAG MODE 0 |
| 44 | Slice 4/5 - DIAG MODE 1 |
| 45 | Slice 4/5 - CORRECT |
| 46 | Slice 4/5 - PASS THRU |
| 47 | Don't Care |
| 48-54 | Don't Care |
| 55 | Diagnostic Check Bit 32 |
| 56 | Slice 6/7 - CODE ID 0 |
| 57 | Slice 6/7 - CODE ID 1 |
| 58 | Slice 6/7 - CODE ID 2 |
| 59 | Slice 6/7 - DIAG MODE 0 |
| 60 | Slice 6/7 - DIAG MODE 1 |
| 61 | Slice 6/7 - CORRECT |
| 62 | Slice 6/7 - PASS THRU |
| 63 | Don't Care |

APPLICATIONS

System Design Considerations

High Performance Parallel Operation

For maximum memory system performance, the EDC should be used in the Check-Only configuration shown in Figure 11. With this configuration, the memory system operates as fast with EDC as it would without.

On reads from memory, data is read out from the RAMs directly to the data bus (same as in a non-EDC system). At the same time, the data is read into the EDC to check for errors. If an error exists, the EDC's error flags are used to interrupt the CPU and/or to stretch the memory cycle. If no error is detected, no slowdown is required.

If an error is detected, the EDC generates corrected data for the processor. At the designer's option the correct data may be written back into memory; error logging and diagnostic routines may also be run under processor control.

The Check-Only configuration allows data reads to proceed as fast with EDC as without. Only if an error is detected is there any slowdown. But even if the memory system had an error every hour this would mean only one error every 3-4 billion memory cycles. So even with a very high error rate, EDC in a Check-Only configuration has essentially zero impact on memory system speed.

On writes to memory, check bits must be generated before the full memory word can be written into memory. But using the Am2961/62 Data Bus Buffers allows the data word to be buffered on the memory board while check bits are generated.

This makes the check bit generate time transparent to the processor.

EDC in the Data Path

The simplest configuration for EDC is to have the EDC directly in the data path, as shown in Figure 12 (Correct-Always Configuration). In this configuration, data read from memory is always corrected prior to putting the data on the data bus. The advantages are simpler operation and no need for mid-cycle interrupts. The disadvantage is that memory system speed is slowed by the amount of time it takes for error correction on every cycle.

Usually the Correct-Always Configuration will be used with MOS microprocessors which have ample memory timing budgets. Most high performance processors will use the high performance parallel configuration shown in Figure 11 (Check-Only Configuration).

Scrubbing Avoids Double Errors

Single-bit errors are by far the most common in a memory system, and are always correctable by the EDC.

Double-bit memory errors are far less frequent than single-bit (50 to 1, or 100 to 1) and are always detected by the EDC, but not corrected.

In a memory system, soft errors occur only one at a time. A double-bit error in a data word occurs when a single soft error is left uncorrected and is followed by another error in the data word hours, days, or weeks after the first.

"Scrubbing" memory periodically avoids almost all double-bit errors. In the scrubbing operation, every data word in memory is periodically checked by the EDC for single-bit errors. If one is found, it is corrected and the data word written back into memory. Errors are not allowed to pile up, and most double-bit errors are avoided.

The scrubbing operation is generally done as a background routine when the memory is not being used by the processor. If memory is scrubbed frequently, errors that are detected and corrected during processor accesses need not be immediately written back into memory. Instead, the error will be corrected

in memory during scrubbing. This reduces the time delay involved in a processor access of an incorrect memory word.

Correction of Double-Bit Errors

In some cases, double-bit memory errors can be corrected! This is possible when one of the two bit errors is a hard error.

When a double bit error is detected, the data word should be checked to determine if one of the errors is a hard error. If so, the hard error bit may be corrected by inverting it, leaving only a single, correctable error. The time for this operation is negligible, since it will occur infrequently.

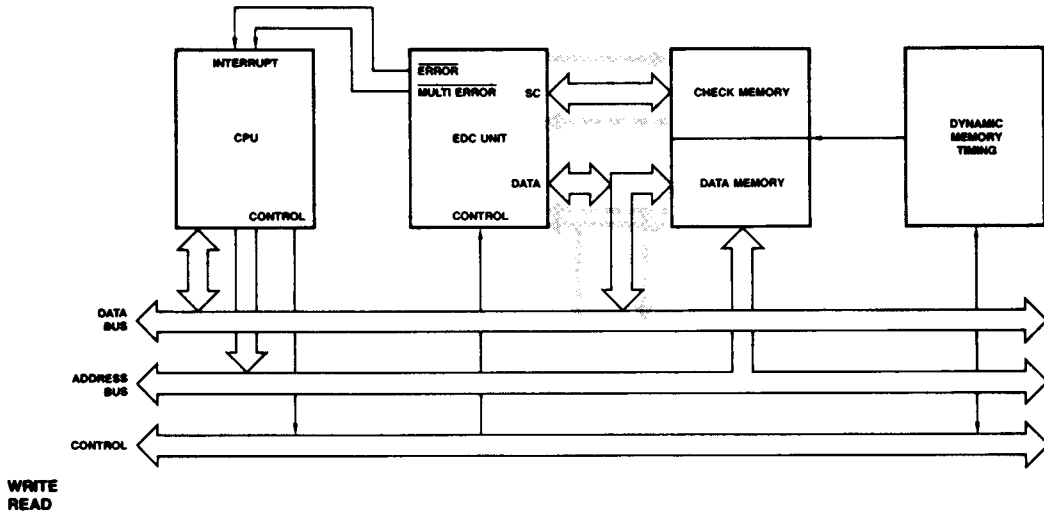


Figure 11. Check-Only Configuration

DF000291

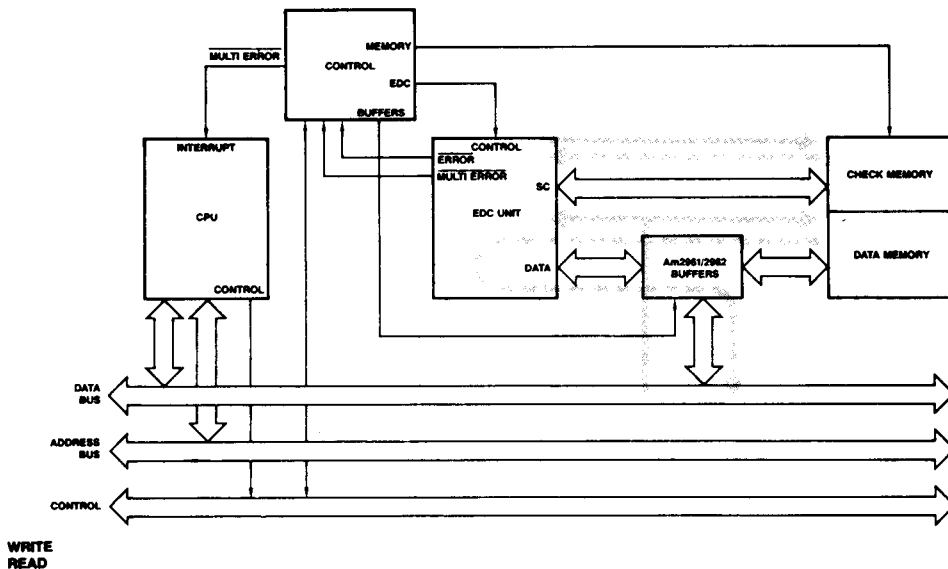


Figure 12. Correct-Always Configuration

DF000910

required. These steps are exactly the same as those described in Byte Write in the Applications section. No penalty exists for reads from memory.

EDC Per Board vs. EDC Per System

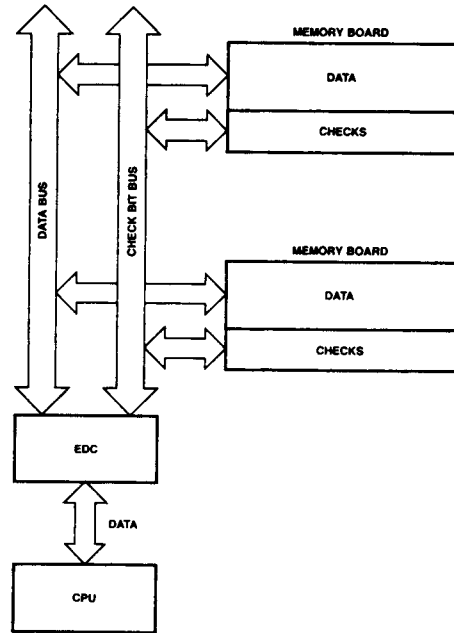
The choice of an EDC per system or per board depends on the economics and the architecture of the system.

Certainly the cheaper approach is to have only one EDC per system and this is a viable solution if only one memory location is accessed at a time.

This solution does require that the system has both data and check bit lines (see Figure 14). This makes retrofitting a system difficult and creates complications if static or ROM memory, which do not require check bits, are mixed in with dynamic RAM.

If the system has an advanced architecture, it is quite likely that it is necessary to simultaneously access memory locations on different memory boards (see Figure 13). Architectural features that require this are interleaved memory, cache memory, and DMA that is done simultaneously with processor memory accesses. EDC per board is a simpler system from a design standpoint.

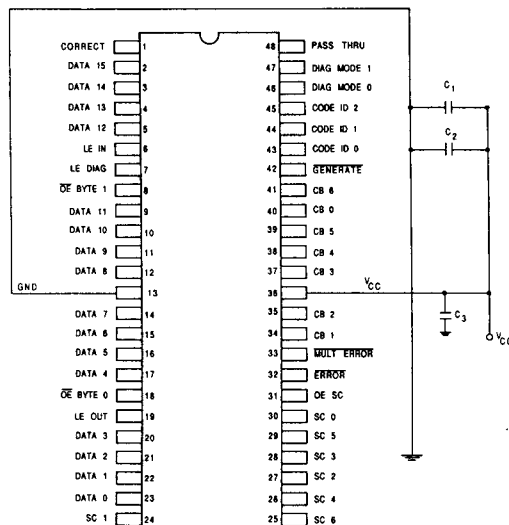
The EDC is designed to work efficiently in either the per system or per board configurations.



DF000150

Figure 14. EDC Per System

DEVICE DECOUPLING V_{CC} AND GROUND PIN CONNECTIONS



TC003940

Note: 1. $C_1 = 1.0 \mu\text{F}$, $C_2 = C_3 = 0.01 \mu\text{F}$

The C_1 , C_2 , and C_3 capacitors should be used to shunt Low - and high-frequency noise from V_{CC} . Do not replace with one capacitor. Place capacitors as close to the device as possible.

DESIGNING FOR A FASTER SYSTEM ENVIRONMENT

Am2960A Designs

When using the Am2960A in a high performance memory system, certain MSI glue logic will not be fast enough. The following device conversions are therefore recommended:

| Am2960/Am2960-1 Design | Am2960A Design/Upgrade |
|---|--|
| EDC Bus Buffer: Am2961/Am2962 | EDC Bus Buffer: Am29845/Am29846 |
| Cascaded Design, CB ₀₋₆ Driver: Am2958 | Cascaded Design, CB ₀₋₆ Driver: Am29827/Am29828 |

Am2960/Am2960-1 to Am2960A Design Upgrades

When upgrading a system from the Am2960/Am2960-1 to the Am2960A special care must be taken to ensure that MSI glue logic specifications are not violated. For example, if latches are used in the data path, set up and hold times of the latches must also be upgraded to match the performance of the Am2960A. This may require replacement of currently designed-in latches to faster versions or alternate solutions.

A set up and hold time specification of 2.5 ns or less is recommended for these latches.

Byte Write

Byte operations are increasingly common for 16-bit and 32-bit processors. These complicate memory operations because check bits are generated for a complete 16-bit or 32-bit or 64-bit memory word – not for a single byte.

To write a byte into memory with EDC requires the following steps:

- Latch the byte into the Am2961/62 bus buffers (Figure 15)
- Read the complete data word from memory (Figure 15)
- Correct the complete data word if necessary (Figure 15)
- Insert the byte to be written into the data word (Figure 16)
- Generate new check bits for the entire data word (Figure 16)
- Store the data word back into memory (Figure 16)

(In fact, these steps must be taken for any piece of data being written into memory that is not as wide as a full memory word.)

The Am2960 EDC is designed with the intent of keeping byte operations simple in EDC systems. The EDC has separate output enables for each byte in the Data Output Latch. As shown in Figures 15 and 16, this allows the data word to be read from memory, the new byte to be inserted among the old, and new check bits to be generated using less time and less hardware than if separate byte enables were not available.

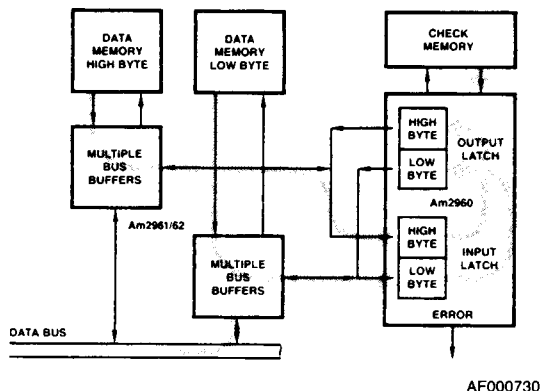


Figure 15. Byte Write, Phase 1: Read Out the Old Word and Correct

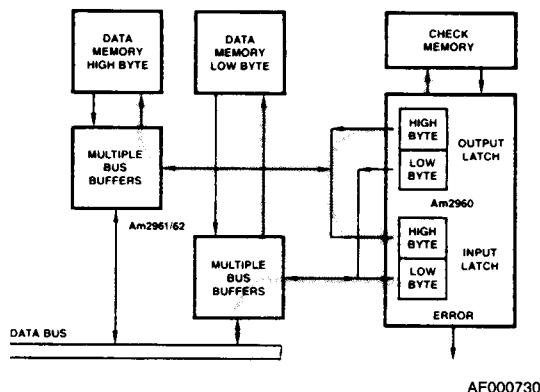


Figure 16. Byte Write, Phase 2: Insert the New Byte, Generate Checks and Write into Memory

Diagnostics

EDC is used to boost the reliability of the overall system. It is necessary to also be able to check the operation of the EDC itself. For this reason the EDC has an internal control mode, a diagnostic latch, and two diagnostic modes.

To check that the EDC is functioning properly, the processor can put the EDC under software control by setting CODE ID₂₋₀ to 001. This puts the EDC into Internal Control Mode. In Internal Control Mode the EDC is controlled by the contents of the Diagnostic Latch which is loaded from the DATA inputs under processor control.

The EDC is set into CORRECT Mode. The processor loads in a known set of check bits into the Diagnostic Latch, a known set of data bits into the Data In Latch, and forces data errors. The output of the EDC (syndromes, error flags, corrected data) is then compared against the expected responses. By exercising the EDC with a string of data/check combinations and comparing the output against the expected responses, the EDC can be fully checked out.

Eight Bit Data Word

Eight bit MOS microprocessors can use EDC too. Only five check bits are required. The EDC configuration for eight bits is shown in Figure 17. It operates as does the normal 16-bit configuration with the upper byte fixed at 0.

Check bit overhead for 8-bit data words can be reduced two ways. See the sections "Single Error Correction Only" and "Reducing Check Bit Overhead."

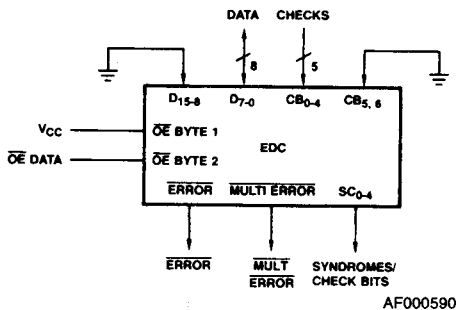


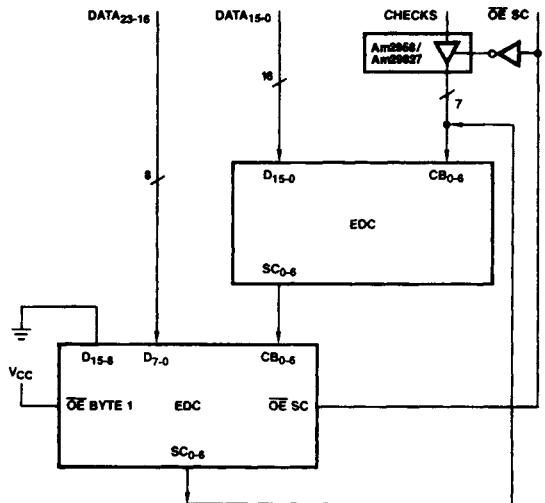
Figure 17. 8-Bit Configuration

Other Word Widths

EDC on data words other than 8, 16, 32, or 64 bits can be accomplished with the AM2960. In most cases the extra data bits can be forced to a constant, and EDC will proceed as normal. For example, a 24-bit data word is shown in Figure 18.

Single Error Correction Only

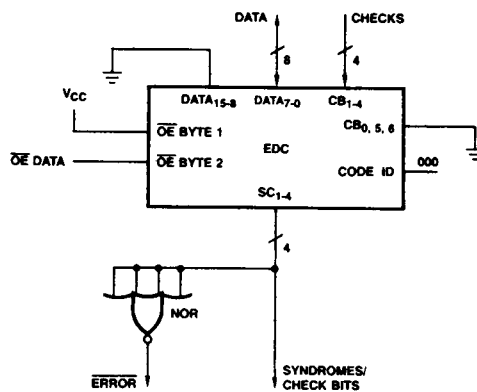
The EDC normally corrects all single-bit errors and detects all double-bit and some triple-bit errors. To save one check bit per word, the ability to detect double bit errors can be sacrificed – single errors are still detected and corrected.



AF000431

Figure 18. 24-Bit Configuration

| Data Bits | Check Bits Required | |
|-----------|------------------------------|--|
| | Single Error Correction Only | Single Error Correct & Double Error Detect |
| 8 | 4 | 5 |
| 16 | 5 | 6 |
| 32 | 6 | 7 |
| 64 | 7 | 8 |



AF000420

Figure 19. 8-Bit Single Error Correction Only

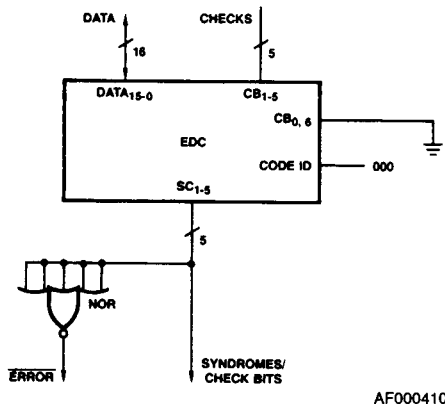
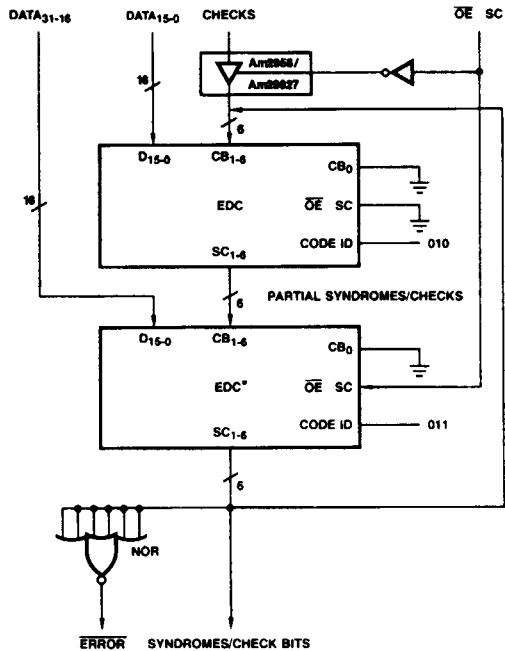


Figure 20. 16-Bit Single Error Correction Only



* The Code ID Combination for this Slice Forces the Check Bit Latch Transparent.

Figure 21. 32-Bit Single Correction Only

Figures 19, 20, 21, 22 show single error correction only configurations for 8, 16, 32, and 64-bit data words respectively.

Check Bit Correction

The EDC detects single bit errors whether the error is a data bit or a check bit. Data bit errors are automatically corrected by the EDC. To generate corrected check bits once a single check bit error is detected, the EDC need only be switched to GENERATE mode (data in the DATA INPUT LATCH is valid).

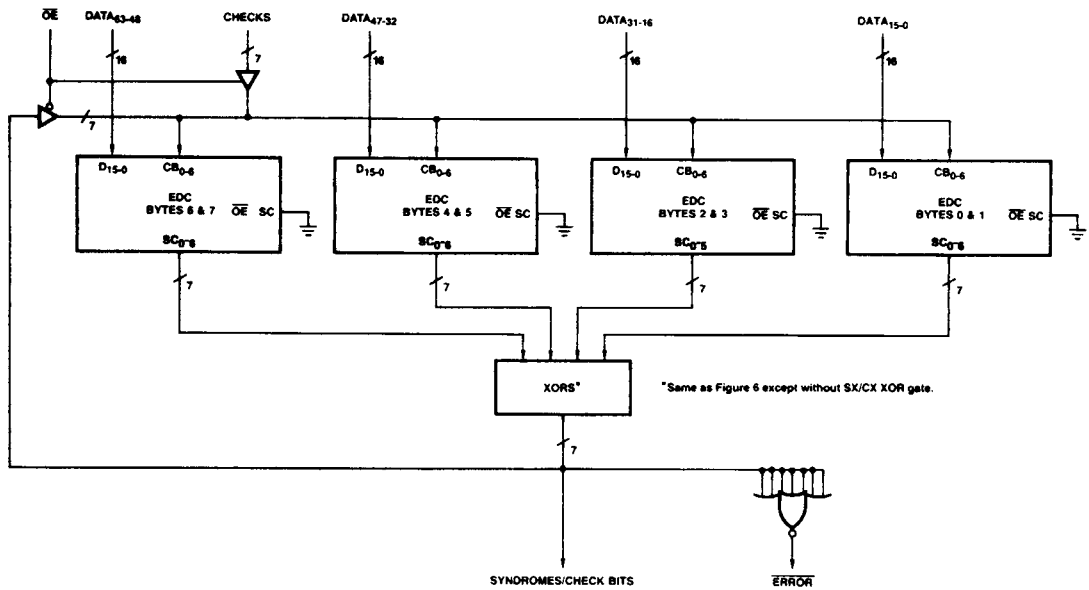
The syndromes generated by the EDC may be decoded to determine whether the single bit error is a check bit.

In many memory systems, a check bit error will be ignored on the memory read and corrected during a periodic "scrubbing" of memory (see section in System Design Considerations).

Multiple Errors

The bit-in-error decode logic uses syndrome bits S0 through S32 to correct errors, SX is only used in developing the multiple error signal. This means that some multiple errors will cause a data bit to be inverted.

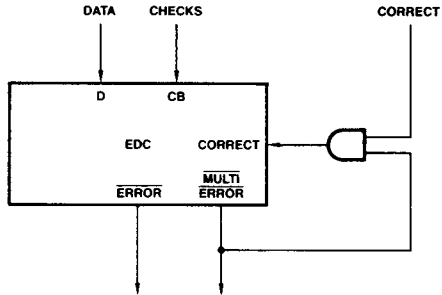
For example, in the 16-bit mode if data bits 8 and 13 are in error the syndrome 111100 (SX, S0, S1, S2, S4, S8) is produced. This is flagged a double error by the error detection logic, but the bit-in-error decoder only receives syndrome 11100 (S0, S1, S2, S4, S8), which it decodes as a single error in data bit 0 and inverts that bit. If it is desired to inhibit this inversion, the multiple error output may be connected to the correct input as in Figure 23. This will inhibit correction when a multiple error occurs. Extra time delay may be introduced in the data to correct data path when this is done.



AF000602

- Notes:
1. In Pass Thru Mode the Contents of the Check Latch Appear on the XOR Outputs Inverted.
 2. In Diagnostic Generate Mode the Contents of the Diagnostic Latch appear on the XOR Outputs Inverted.

Figure 22. 64-bit Single Error Correction Only



AF000530

Figure 23. Inhibition of Data Modification

ABSOLUTE MAXIMUM RATINGS

| | |
|------------------------------------|--------------------------------|
| Storage Temperature | -65°C to +150°C |
| Temperature (Case) | |
| Under Bias | -55°C to +125°C |
| Supply Voltage to Ground Potential | |
| Continuous | -0.5 V to +7.0 V |
| DC Voltage Applied to Outputs For | |
| High Output State | -0.5 V to V _{CC} Max. |
| DC Input Voltage | -0.5 V to +5.5 V |
| DC Input Current | -30 mA to +5.0 mA |

Stresses above those listed under ABSOLUTE MAXIMUM RATINGS may cause permanent device failure. Functionality at or above these limits is not implied. Exposure to absolute maximum ratings for extended periods may affect device reliability.

OPERATING RANGES

| | |
|---|--------------------|
| Commercial (C) Devices | |
| Ambient Temperature (T _A) | 0°C to +70°C |
| Supply Voltage | +4.75 V to +5.25 V |
| Military (M) Devices | |
| Case Temperature (T _C) | -55°C to +125°C |
| Supply Voltage | +4.5 V to +5.5 V |

Operating ranges define those limits between which the functionality of the device is guaranteed.

DC CHARACTERISTICS over operating ranges unless otherwise specified (for APL Products, Group A, Subgroups 1, 2, 3 are tested unless otherwise noted)

| Parameter Symbol | Parameter Descriptions | Test Conditions (Note 1) | | Min. | Max. | Unit |
|--------------------------------------|---|---|---------------------------|----------------------|------|------|
| V _{OH} | Output HIGH Voltage | V _{CC} = Min., V _{IN} = V _{IH} or V _{IL} | I _{OH} = -0.8 mA | COM'L | 2.4 | V |
| | | | | MIL | 2.4 | |
| V _{OL} | Output LOW Voltage | V _{CC} = Min., V _{IN} = V _{IH} or V _{IL} | I _{OL} = 8 mA | | 0.5 | V |
| V _{IH} | Input HIGH Voltage | Guaranteed Input Logical HIGH Voltage for all Inputs (Note 5) | | 2.0 | | V |
| V _{IL} | Input LOW Voltage | Guaranteed Input Logical LOW Voltage for all Inputs (Note 5) | | | 0.8 | V |
| V _I | Input Clamp Voltage | V _{CC} = Min., I _{IN} = -18 mA | | | -1.5 | V |
| I _{IL} | Input LOW Current | V _{CC} = Max. V _{IN} = 0.5 V | DATA0-15 (Note 3) | | -410 | μA |
| | | | All Other Inputs | | -360 | |
| I _{IH} | Input HIGH Current | V _{CC} = Max. V _{IN} = 2.7V | DATA0-15 (Note 3) | | 70 | μA |
| | | | All Other Inputs | | 50 | |
| I _I | Input HIGH Current | V _{CC} = Max., V _{IN} = 5.5 V | | | 1.0 | mA |
| I _{OZH} I _{OZL} | Off State (High Impedance) Output Current | V _{CC} Max. | DATA0-15 | V _O = 2.4 | 70 | μA |
| | | | | V _O = 0.5 | -410 | |
| | | | SC0-6 | V _O = 2.4 | 50 | |
| | | | | V _O = 0.5 | -50 | |
| I _{OS} | Output Short-Circuit Current (Note 2) | V _{CC} = V _{CC} Max. + 0.5 V, V _O = 0.5 V | Am2960/2960-1 | -25 | -85 | mA |
| | | | Am2960A | -20 | | |
| I _{CC} | Power Supply Current (Note 4) | V _{CC} = Max. | C Devices | Am2960/2960-1 | 400 | mA |
| | | | | Am2960A | 365 | |
| | | | M Devices | Am2960 | 400 | mA |
| | | Am2960A | 400 | | | |
| | | V _{CC} = 5.0 V | T _A = 25°C | Am2960/2960-1 | 290 | mA |
| | | | | Am2960A | 275 | |

- Notes: 1. For conditions shown as Min. or Max., use the appropriate value specified under Operating Range for the applicable device type.
 2. Not more than one output should be shorted at a time. Duration of the short-circuit test should not exceed one second.
 3. These are three-state outputs internally connected to TTL inputs. Input Characteristics are measured with outputs disabled (High Impedance).
 4. Worst case I_{CC} is at minimum temperature. Typical I_{CC} (V_{CC} = 5.0 V, T_A = 25°C) represents nominal units and is not tested.
 5. These input levels provide zero noise immunity and should only be tested in a static, noise-free environment.

SWITCHING CHARACTERISTICS over COMMERCIAL operating range (Notes 1 and 2)

The following table specifies the guaranteed device performance over the commercial operating range of 0°C to +70°C (ambient), with V_{CC} 4.75 to 5.25 V. All inputs switching is between 0 V and 3 V at 1 V/ns and measurements are made at 1.5 V. All outputs have maximum DC load. All units are in nanoseconds (ns).

| No. | Param. | Data Path Description | | Am2960 | | Am2960-1 | | Am2960A | |
|-----|-----------------|---|----------------------|--------|------|----------|------|---------|------|
| | | From Input | To Output | Min. | Max. | Min. | Max. | Min. | Max. |
| 1 | t _{PD} | DATA ₀₋₁₅ (Note 3) | SC ₀₋₆ | | 32 | | 28 | | 25 |
| | | | DATA ₀₋₁₅ | | 65 | | 52 | | 30 |
| | | | ERROR | | 32 | | 25 | | 18 |
| | | | MULT ERROR | | 50 | | 50 | | 23 |
| 2 | t _{PD} | CB ₀₋₆ (CODE ID ₂₋₀ 000, 011) | SC ₀₋₆ | | 28 | | 23 | | 18 |
| | | | DATA ₀₋₁₅ | | 56 | | 50 | | 25 |
| | | | ERROR | | 29 | | 23 | | 15 |
| | | | MULT ERROR | | 47 | | 47 | | 20 |
| 3 | t _{PD} | CB ₀₋₆ (CODE ID ₂₋₀ 010, 100, 101, 110, 111) | SC ₀₋₆ | | 28 | | 28 | | 18 |
| | | | DATA ₀₋₁₅ | | 45 | | 34 | | 23 |
| | | | ERROR | | 29 | | 29 | | 15 |
| | | | MULT ERROR | | 34 | | 34 | | 20 |
| 4 | t _{PD} | GENERATE | SC ₀₋₆ | | 35 | | 35 | | 27 |
| | | | DATA ₀₋₁₅ | | 63 | | 63 | | 33 |
| | | | ERROR | | 36 | | 36 | | 18 |
| | | | MULT ERROR | | 55 | | 55 | | 23 |
| 5 | t _{PD} | CORRECT (Not Internal Control Mode) | SC ₀₋₆ | | - | | - | | - |
| | | | DATA ₀₋₁₅ | | 45 | | 45 | | 24 |
| | | | ERROR | | - | | - | | - |
| | | | MULT ERROR | | - | | - | | - |
| 6 | t _{PD} | DIAG MODE (Not Internal Control Mode) | SC ₀₋₆ | | 50 | | 50 | | 26 |
| | | | DATA ₀₋₁₅ | | 78 | | 78 | | 31 |
| | | | ERROR | | 59 | | 59 | | 17 |
| | | | MULT ERROR | | 75 | | 75 | | 23 |
| 7 | t _{PD} | PASS THRU (Not Internal Control Mode) | SC ₀₋₆ | | 36 | | 36 | | 19 |
| | | | DATA ₀₋₁₅ | | 44 | | 44 | | 23 |
| | | | ERROR | | 29 | | 29 | | 15 |
| | | | MULT ERROR | | 46 | | 46 | | 18 |
| 8 | t _{PD} | CODE ID ₂₋₀ | SC ₀₋₆ | | 61 | | 61 | | 29 |
| | | | DATA ₀₋₁₅ | | 90 | | 90 | | 34 |
| | | | ERROR | | 60 | | 60 | | 24 |
| | | | MULT ERROR | | 80 | | 80 | | 27 |

Notes: See notes following end of tables continued on next page.

SWITCHING CHARACTERISTICS over **COMMERCIAL** operating range (Notes 1 and 2) (Cont'd.)

| No. | Param. | Data Path Description | | Am2960 | | Am2960-1 | | Am2960A | |
|-----|-------------------|--|----------------------|--------|------|----------|------|---------|------|
| | | From Input | To Output | Min. | Max. | Min. | Max. | Min. | Max. |
| 9 | t _{PD} | LE IN (From latched to transparent) | SC ₀₋₆ | | 39 | | 39 | | 21 |
| | | | DATA ₀₋₁₅ | | 72 | | 72 | | 27 |
| | | | ERROR | | 39 | | 39 | | 18 |
| | | | MULT ERROR | | 59 | | 59 | | 21 |
| 10 | t _{PD} | LE OUT (From latched to transparent) | SC ₀₋₆ | | - | | - | | - |
| | | | DATA ₀₋₁₅ | | 31 | | 31 | | 19 |
| | | | ERROR | | - | | - | | - |
| | | | MULT ERROR | | - | | - | | - |
| 11 | t _{PD} | LE DIAG (From latched to transparent; Not Internal Control Mode) | SC ₀₋₆ | | 45 | | 45 | | 20 |
| | | | DATA ₀₋₁₅ | | 78 | | 78 | | 27 |
| | | | ERROR | | 45 | | 45 | | 18 |
| | | | MULT ERROR | | 65 | | 65 | | 21 |
| 12 | t _{PD} | Internal Control Mode: LE DIAG (From latched to transparent) | SC ₀₋₆ | | 67 | | 67 | | 29 |
| | | | DATA ₀₋₁₅ | | 96 | | 96 | | 30 |
| | | | ERROR | | 66 | | 66 | | 24 |
| | | | MULT ERROR | | 86 | | 86 | | 27 |
| 13 | t _{PD} | Internal Control Mode: DATA ₀₋₁₅ (Via Diagnostic latch) | SC ₀₋₆ | | 67 | | 67 | | 28 |
| | | | DATA ₀₋₁₅ | | 96 | | 96 | | 35 |
| | | | ERROR | | 66 | | 66 | | 24 |
| | | | MULT ERROR | | 86 | | 86 | | 27 |
| 14 | t _{SET} | DATA ₀₋₁₅ (Notes 4, 5) | LE IN | | 6 | | 6 | | 3 |
| 15 | t _{HOLD} | | | | 7 | | 7 | | 5 |
| 16 | t _{SET} | CB ₀₋₆ (Notes 4, 5) | | | 5 | | 5 | | 3 |
| 17 | t _{HOLD} | | | | 6 | | 6 | | 4 |
| 18 | t _{SET} | DATA ₀₋₁₅ (Notes 4, 5) | LE OUT | | 44 | | 34 | | 20 |
| 19 | t _{HOLD} | | | | 5 | | 5 | | 4 |
| 20 | t _{SET} | CB ₀₋₆ (Notes 4, 5) (CODE ID 000, 011) | | | 35 | | 35 | | 15 |
| 21 | t _{HOLD} | | | | 0 | | 0 | | 0 |
| 22 | t _{SET} | CB ₀₋₆ (Notes 4, 5) (CODE ID 010, 100, 101, 110, 111) | | | 27 | | 27 | | 15 |
| 23 | t _{HOLD} | | | | 0 | | 0 | | 0 |
| 24 | t _{SET} | GENERATE (Notes 4, 5) | | | 42 | | 42 | | 20 |
| 25 | t _{HOLD} | | | | 0 | | 0 | | 0 |
| 26 | t _{SET} | CORRECT (Notes 4, 5) | | | 26 | | 26 | | 15 |
| 27 | t _{HOLD} | | | | 1 | | 1 | | 1 |
| 28 | t _{SET} | DIAG MODE (Notes 4, 5) | | | 69 | | 69 | | 20 |
| 29 | t _{HOLD} | | | | 0 | | 0 | | 0 |
| 30 | t _{SET} | PASS THRU (Notes 4, 5) | | | 26 | | 26 | | 7 |
| 31 | t _{HOLD} | | | | 0 | | 0 | | 0 |
| 32 | t _{SET} | CODE ID ₂₋₀ (Notes 4, 5) | | | 81 | | 81 | | 22 |
| 33 | t _{HOLD} | | | | 0 | | 0 | | 0 |

Notes: See notes following table continued on next page.

SWITCHING CHARACTERISTICS over **COMMERCIAL** operating range (Notes 1 and 2) (Cont'd.)

| No. | Param. | Data Path Description | | Am2960 | | Am2960-1 | | Am2960A | |
|-----|-------------------|---|----------------------|--------|------|----------|------|---------|------|
| | | From Input | To Output | Min. | Max. | Min. | Max. | Min. | Max. |
| 34 | t _{SET} | LE IN (Notes 4, 5) | LE OUT | 51 | | 51 | | 24 | |
| 35 | t _{HOLD} | | | 5 | | 5 | | 4 | |
| 36 | t _{SET} | DATA ₀₋₁₅ (Notes 4, 5) | LE DIAG | 6 | | 6 | | 3 | |
| 37 | t _{HOLD} | | | 8 | | 8 | | 6 | |
| 38 | t _{EN} | OE BYTE 0,1 ENABLE (Note 6) | DATA ₀₋₁₅ | | 30 | | 30 | | 14 |
| 39 | t _{DIS} | | | | 30 | | 30 | | 23 |
| 40 | t _{EN} | OE SC DISABLE (Note 6) | SC ₀₋₆ | | 30 | | 30 | | 7 |
| 41 | t _{DIS} | | | | 30 | | 30 | | 21 |
| 42 | t _{PW} | MINIMUM PULSE WIDTH: LE IN, LE OUT, LE DIAG | | 15 | | 15 | | 12 | |

- Notes:
1. C_L = 50 pF.
 2. Certain parameters are combinational propagation delay calculations.
 3. Data In or LE In to Correct Data Out measurement requires timing as shown in Figure 26.
 4. Set-up and Hold times relative to Latch Enables (Latching up data).
 5. Set-up and Hold times are not tested, but are guaranteed by characterization.
 6. Output disable tests specified with C_L = 5 pF and measured to 0.5 V change of output voltage level. Testing is performed at C_L = 50 pF and correlated to C_L = 5 pF.

SWITCHING CHARACTERISTICS over **MILITARY** operating range (for APL Products, Group A, Subgroups 7, 8, 9, 10, 11 are tested unless otherwise noted) (Notes 1 and 2)

The following table specifies the guaranteed device performance over the Military operating range of -55°C to +125°C (case), with V_{CC} 4.5 to 5.5 V. All inputs switching is between 0 V and 3 V at 1 V/ns and measurements are made at 1.5 V. All outputs have maximum DC load. All units are in nanoseconds (ns).

| No. | Param. | Data Path Description | | Am2960 | | Am2960A | |
|-----|-----------------|---|----------------------|--------|------|---------|------|
| | | From Input | To Output | Min. | Max. | Min. | Max. |
| 1 | t _{PD} | DATA ₀₋₁₅ (Note 3) | SC ₀₋₆ | | | 35 | 25 |
| | | | DATA ₀₋₁₅ | | | 73 | 30 |
| | | | ERROR | | | 36 | 20 |
| | | | MULT ERROR | | | 56 | 23 |
| 2 | t _{PD} | CB ₀₋₆ (CODE ID ₂₋₀ 000, 011) | SC ₀₋₆ | | | 30 | 20 |
| | | | DATA ₀₋₁₅ | | | 61 | 28 |
| | | | ERROR | | | 31 | 16 |
| | | | MULT ERROR | | | 50 | 20 |
| 3 | t _{PD} | CB ₀₋₆ (CODE ID ₂₋₀ 010, 100, 101, 110, 111) | SC ₀₋₆ | | | 30 | 22 |
| | | | DATA ₀₋₁₅ | | | 50 | 25 |
| | | | ERROR | | | 31 | 16 |
| | | | MULT ERROR | | | 37 | 20 |
| 4 | t _{PD} | GENERATE | SC ₀₋₆ | | | 38 | 27 |
| | | | DATA ₀₋₁₅ | | | 69 | 33 |
| | | | ERROR | | | 41 | 19 |
| | | | MULT ERROR | | | 62 | 24 |
| 5 | t _{PD} | CORRECT (Not Internal Control Mode) | SC ₀₋₆ | | | - | - |
| | | | DATA ₀₋₁₅ | | | 49 | 25 |
| | | | ERROR | | | - | - |
| | | | MULT ERROR | | | - | - |
| 6 | t _{PD} | DIAG MODE (Not Internal Control Mode) | SC ₀₋₆ | | | 58 | 26 |
| | | | DATA ₀₋₁₅ | | | 89 | 32 |
| | | | ERROR | | | 65 | 20 |
| | | | MULT ERROR | | | 90 | 24 |
| 7 | t _{PD} | PASS THRU (Not Internal Control Mode) | SC ₀₋₆ | | | 39 | 22 |
| | | | DATA ₀₋₁₅ | | | 51 | 25 |
| | | | ERROR | | | 34 | 16 |
| | | | MULT ERROR | | | 54 | 20 |
| 8 | t _{PD} | CODE ID ₂₋₀ | SC ₀₋₆ | | | 69 | 31 |
| | | | DATA ₀₋₁₅ | | | 100 | 35 |
| | | | ERROR | | | 68 | 26 |
| | | | MULT ERROR | | | 90 | 29 |

Notes: See notes following tables continued on next pages.

SWITCHING CHARACTERISTICS over **MILITARY** operating range (Cont'd.)

| No. | Param. | Data Path Description | | Am2960 | | Am2960A | |
|-----|-------------------|--|----------------------|--------|------|---------|------|
| | | From Input | To Output | Min. | Max. | Min. | Max. |
| 9 | t _{PD} | LE IN (From latched to transparent) | SC ₀₋₆ | | 44 | | 24 |
| | | | DATA ₀₋₁₅ | | 82 | | 27 |
| | | | ERROR | | 43 | | 19 |
| | | | MULT ERROR | | 66 | | 23 |
| 10 | t _{PD} | LE OUT (From latched to transparent) | SC ₀₋₆ | | - | | - |
| | | | DATA ₀₋₁₅ | | 33 | | 19 |
| | | | ERROR | | - | | - |
| | | | MULT ERROR | | - | | - |
| 11 | t _{PD} | LE DIAG (From latched to transparent; Not Internal Control Mode) | SC ₀₋₆ | | 50 | | 27 |
| | | | DATA ₀₋₁₅ | | 88 | | 27 |
| | | | ERROR | | 49 | | 19 |
| | | | MULT ERROR | | 72 | | 23 |
| 12 | t _{PD} | Internal Control Mode: LE DIAG (From latched to transparent) | SC ₀₋₆ | | 75 | | 31 |
| | | | DATA ₀₋₁₅ | | 106 | | 35 |
| | | | ERROR | | 74 | | 26 |
| | | | MULT ERROR | | 96 | | 29 |
| 13 | t _{PD} | Internal Control Mode: DATA ₀₋₁₅ (Via Diagnostic latch) | SC ₀₋₆ | | 75 | | 32 |
| | | | DATA ₀₋₁₅ | | 106 | | 35 |
| | | | ERROR | | 74 | | 24 |
| | | | MULT ERROR | | 96 | | 28 |
| 14 | t _{SET} | DATA ₀₋₁₅ (Notes 4, 5) | LE IN | 7 | | 3 | |
| †15 | t _{HOLD} | | | 7 | | 5 | |
| 16 | t _{SET} | CB ₀₋₆ (Notes 4, 5) | | 5 | | 3 | |
| †17 | t _{HOLD} | | | 7 | | 4 | |
| 18 | t _{SET} | DATA ₀₋₁₅ (Notes 4, 5) | 50 | | 20 | | |
| †19 | t _{HOLD} | | 5 | | 4 | | |
| 20 | t _{SET} | CB ₀₋₆ (Notes 4, 5) (CODE ID 000, 011) | 38 | | 15 | | |
| †21 | t _{HOLD} | | 0 | | 0 | | |
| 22 | t _{SET} | CB ₀₋₆ (Notes 4, 5) (CODE ID 010, 100, 101, 110, 111) | 30 | | 15 | | |
| †23 | t _{HOLD} | | 0 | | 0 | | |
| 24 | t _{SET} | GENERATE (Notes 4, 5) | 46 | | 20 | | |
| †25 | t _{HOLD} | | 0 | | 0 | | |
| 26 | t _{SET} | CORRECT (Notes 4, 5) | 28 | | 15 | | |
| †27 | t _{HOLD} | | 1 | | 1 | | |
| 28 | t _{SET} | DIAG MODE (Notes 4, 5) | 84 | | 20 | | |
| †29 | t _{HOLD} | | 0 | | 0 | | |
| 30 | t _{SET} | PASS THRU (Notes 4, 5) | 30 | | 7 | | |
| †31 | t _{HOLD} | | 0 | | 0 | | |
| 32 | t _{SET} | CODE ID ₂₋₀ (Notes 4, 5) | 89 | | 22 | | |
| †33 | t _{HOLD} | | 0 | | 0 | | |
| | | | LE OUT | | | | |

Notes: See notes continued on next page.

SWITCHING CHARACTERISTICS over **MILITARY** operating range (Cont'd.)

| No. | Param. | Data Path Description | | Am2960 | | Am2960A | |
|-----|-------------------|--|----------------------|--------|------|---------|------|
| | | From Input | To Output | Min. | Max. | Min. | Max. |
| 34 | t _{SET} | LE IN (Notes 4, 5) | LE OUT | 59 | | 24 | |
| †35 | t _{HOLD} | | | 5 | | 4 | |
| 36 | t _{SET} | DATA ₀₋₁₅ (Notes 4, 5) | LE DIAG | 7 | | 3 | |
| †37 | t _{HOLD} | | | 9 | | 6 | |
| 38 | t _{EN} | OE BYTE 0,1 ENABLE (Note 6) | DATA ₀₋₁₅ | | 35 | | 14 |
| 39 | t _{DIS} | | | | 35 | | 23 |
| 40 | t _{EN} | OE SC DISABLE (Note 6) | SC ₀₋₆ | | 35 | | 7 |
| 41 | t _{DIS} | | | | 35 | | 21 |
| 42 | t _{PW} | MINIMUM PULSE WIDTH: LE IN, LE OUT, LE DIAG | | 15 | | 15 | |

Notes: 1. C_L = 50 pF.

2. Certain parameters are combinational propagation delay calculations.
3. Data In or LE In to Correct Data Out measurement requires timing as shown in Figure 26.
4. Set-up and Hold times relative to Latch Enables (Latching up data).
5. Setup and Hold times are not tested, but are guaranteed by characterization.
6. Output disable tests specified with C_L = 5 pF and measured to 0.5 V change of output voltage level. Testing is performed at C_L = 50 pF and correlated to C_L = 5 pF.

† = Not Included in Group A Tests

SWITCHING TEST CIRCUITS

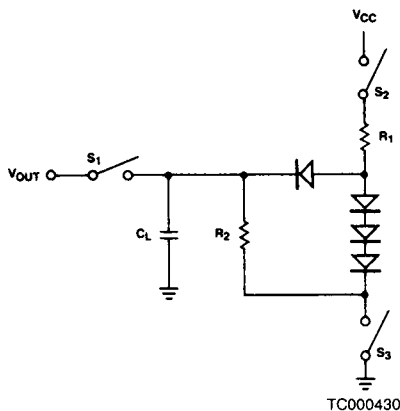


Figure 24. Three-State Outputs

- Notes:
1. $C_L = 50\text{pF}$ includes scope probe, wiring and stray capacitances without device in test fixture.
 2. S_1, S_2, S_3 are closed during function test and all A.C. tests, except output enable tests.
 3. S_1 and S_3 are closed while S_2 is open for t_{pZH} test.
 S_1 and S_2 are closed while S_3 is open for t_{pZL} test.
 4. $R_2 = 1\text{K}$ for three-state output.
 R_2 is determined by the I_{OH} at $V_{OH} = 2.4\text{V}$ for non-three-state outputs.
 5. R_1 is determined by I_{OL} (MIL) with $V_{CC} = 5.0\text{V}$ minus the current to ground through R_2 .
 6. $C_L = 5.0\text{ pF}$ for output disable tests.

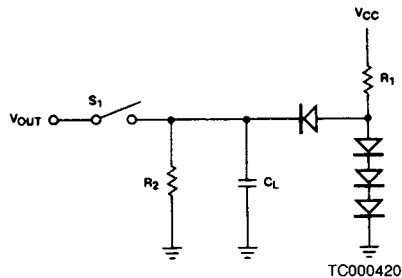


Figure 25. Normal Outputs

TEST OUTPUT LOADS

| Pin # | Pin Label | Test Circuit | R_1 | R_2 |
|-------|---------------------|--------------|-------------|-------------------|
| - | $D_0\text{-}D_{15}$ | Fig. 24 | 430Ω | $1\text{K}\Omega$ |
| 24-30 | $SC_0\text{-}SC_6$ | Fig. 24 | 430Ω | $1\text{K}\Omega$ |
| 32 | ERROR | Fig. 25 | 470Ω | $3\text{k}\Omega$ |
| 33 | MULTERROR | Fig. 25 | 470Ω | $3\text{K}\Omega$ |

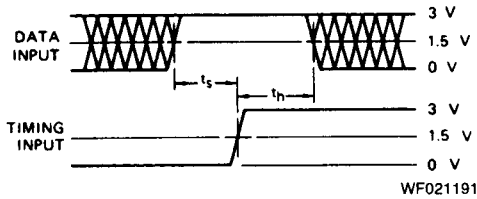
Notes on Testing

Incoming test procedures on this device should be carefully planned, taking into account the complexity and power levels of the part. The following notes may be useful.

1. Insure the part is adequately decoupled at the test head. Large changes in V_{CC} current as the device switches may cause erroneous function failures due to V_{CC} changes.
2. Do not leave inputs floating during any tests, as they may start to oscillate at high frequency.
3. Do not attempt to perform threshold tests at high speed. Following an input transition, ground current may change by as much as 400mA in $5\text{-}8\text{ns}$. Inductance in the ground cable may allow the ground pin at the device to rise by 100's of millivolts momentarily.
4. Use extreme care in defining input levels for AC tests. Many inputs may be changed at once, so there will be significant noise at the device pins and they may not actually reach V_{IL} or V_{IH} until the noise has settled. AMD recommends using $V_{IL} \leq 0\text{ V}$ and $V_{IH} \geq 3\text{ V}$ for AC tests.
5. To simplify failure analysis, programs should be designed to perform DC, Function, and AC tests as three distinct groups of tests.
6. Changing the CODE ID inputs can cause loss of data in some of the Am2960 internal latches. Specifically, the entire checkbit latch and bits 6 and 7 of the diagnostic latch are indeterminate after a change in CODE ID inputs.

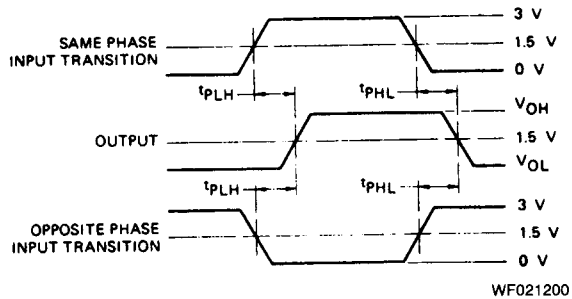
Logic simulations should store "x" (i.e., "don't care") in these bits after CODE ID change. Test programs should reload these registers before they are used.

SWITCHING TEST WAVEFORMS

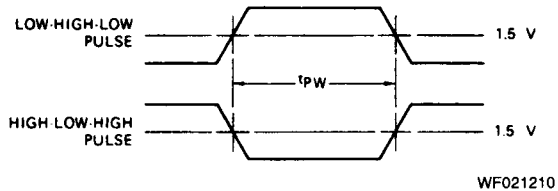


- Notes: 1. Diagram show for HIGH data only. Output transition may be opposite sense.
 2. Cross-hatched are is don't care condition.

Setup and Hold Times







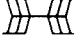
Propagation Delay



Pulse Width

SWITCHING WAVEFORMS

KEY TO SWITCHING WAVEFORMS

| WAVEFORM | INPUTS | OUTPUTS |
|---|----------------------------------|---|
|  | MUST BE STEADY | WILL BE STEADY |
|  | MAY CHANGE FROM H TO L | WILL BE CHANGING FROM H TO L |
|  | MAY CHANGE FROM L TO H | WILL BE CHANGING FROM L TO H |
|  | DON'T CARE; ANY CHANGE PERMITTED | CHANGING; STATE UNKNOWN |
|  | DOES NOT APPLY | CENTER LINE IS HIGH IMPEDANCE "OFF" STATE |

KS000010

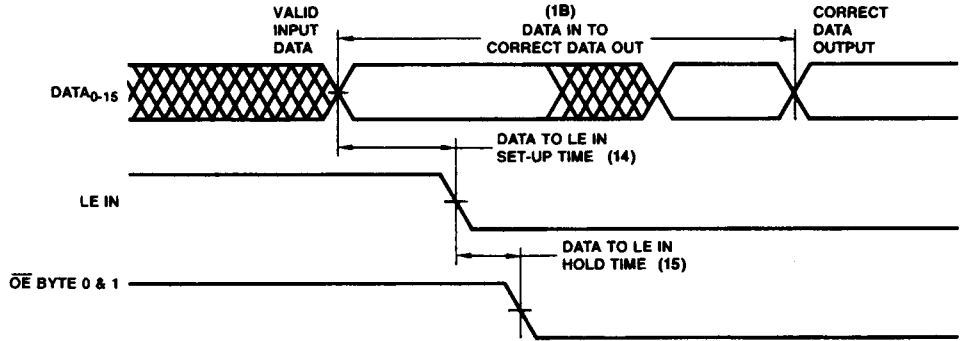
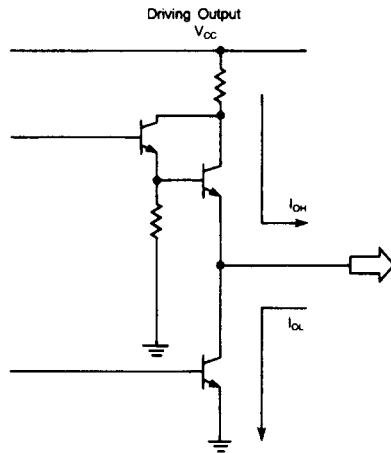
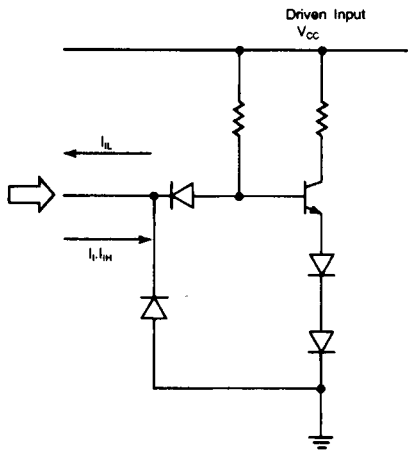


Figure 26. DATA IN/LE IN to Correct DATA OUT

INPUT/OUTPUT CIRCUIT DIAGRAMS



IC000883