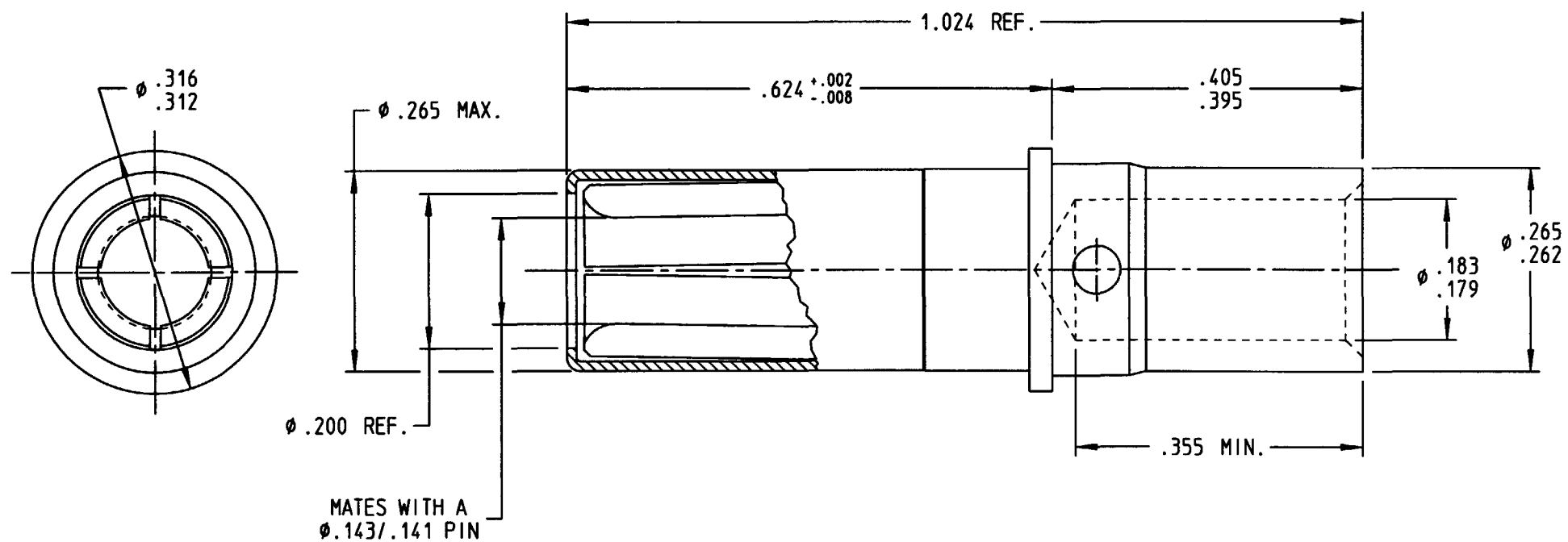


PROPERTY OF DEUTSCH E.C.D.
 This drawing contains proprietary information that shall not be disclosed, duplicated,
 nor used in whole or in part for any purpose other than to evaluate this drawing.

N/C 1962-203-0831		REVISIONS	
REV	DESCRIPTION	DATE	APPROVED
N/C	NEW RELEASE PER E.O. C2895	8-26-97	DJH



3. FINISH: SOCKET BODY - GOLD PER MIL-G-45204 OVER NICKEL.
 SOCKET SLEEVE - PASSIVATED.
2. MATERIAL: SOCKET BODY - COPPER ALLOY PER MIL-C-39029, TYPE A.
 SOCKET SLEEVE - STAINLESS STEEL.
1. ALL DIMENSIONS ARE IN INCHES UNLESS OTHERWISE SPECIFIED.

SIGNATURE & DATE	
DR	D. WHITACRE 8/22/97
CHK	<i>[Signature]</i> 8/24/97
PE	D. WHITACRE 8/22/97
APPD	
SCALE	NONE

CONTACT, SOCKET
 CRIMP TYPE
 MIL-C-38999 TYPE
 SIZE 08
 ENVELOPE

CP	MATL CODE
DEUTSCH ENGINEERED CONNECTING DEVICES	
36033 Whittier Ave. Hemet, California	
A	1962-203-0831
DWG SIZE	SHEET 1 OF 1