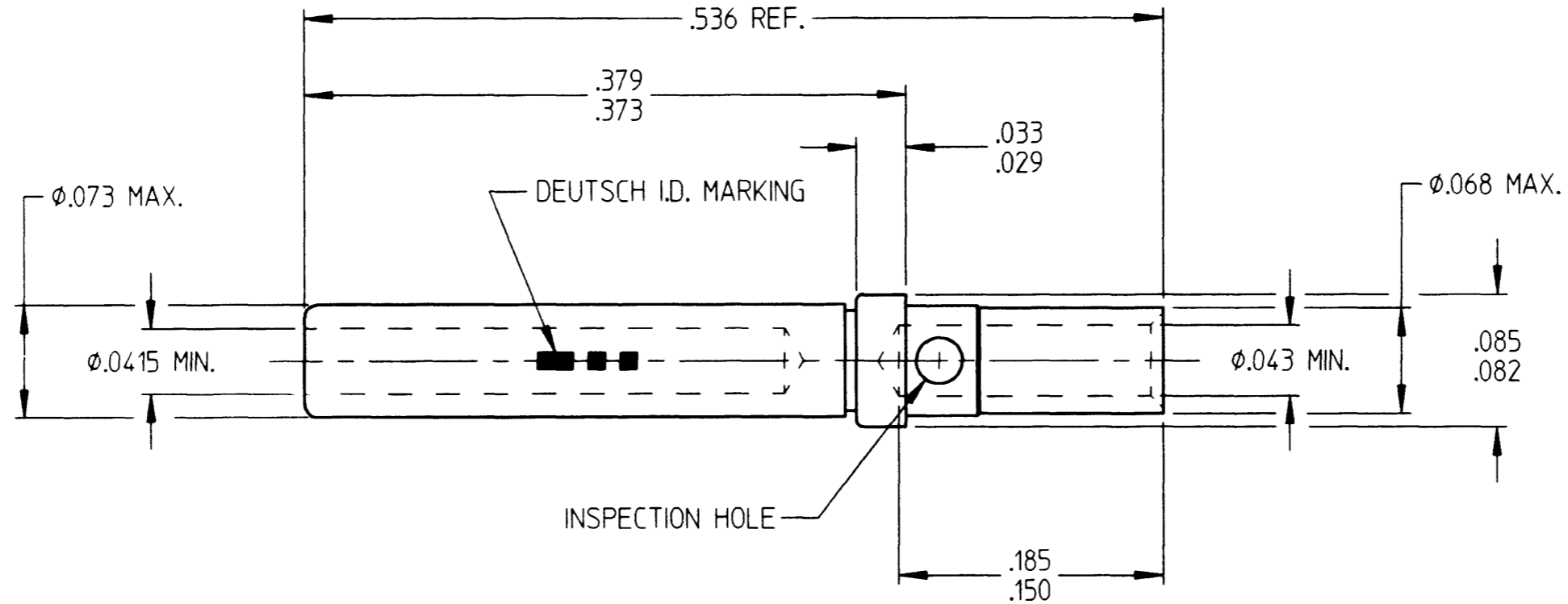


A 2562-202-2090

REVISIONS			
REV	DESCRIPTION	DATE	APPROVED
A	REVISED PER E.O. C1363	9-3-93	<i>S</i>



- NOTE:
1. DIMENSIONS ARE IN INCHES UNLESS OTHERWISE SPECIFIED.
  2. MATERIAL CONTACT BODY - COPPER ALLOY.  
SOCKET SLEEVE - STAINLESS STEEL.
  3. FINISH CONTACT BODY - DEUTSCHCOAT V.  
SLEEVE - PASSIVATED.
  4. CRIMP TOOL DANIELS AFM8.  
POSITIONER DANIELS K13-1.  
RECOMMENDED STRIP LENGTH 5/32 TO 3/16.

SIGNATURE & DATE	
DR	R. GROSS 7-27-93
CHK	Jo POWELL 8-2-93
PE	<i>R. Gross</i> 7-27-93
APPD	
SCALE	WT

CONTACT, SOCKET

CRIMP TYPE  
REAR RELEASE  
SIZE 20  
ENVELOPE

CP	MATL CODE
<b>DEUTSCH</b> ENGINEERED CONNECTING DEVICES <small>Municipal Airport Banning, California</small>	
<b>B</b>	2562-202-2090
DWG SIZE	CODE 11139 SHEET 1 OF 1

2562-202-2090\_env\_A