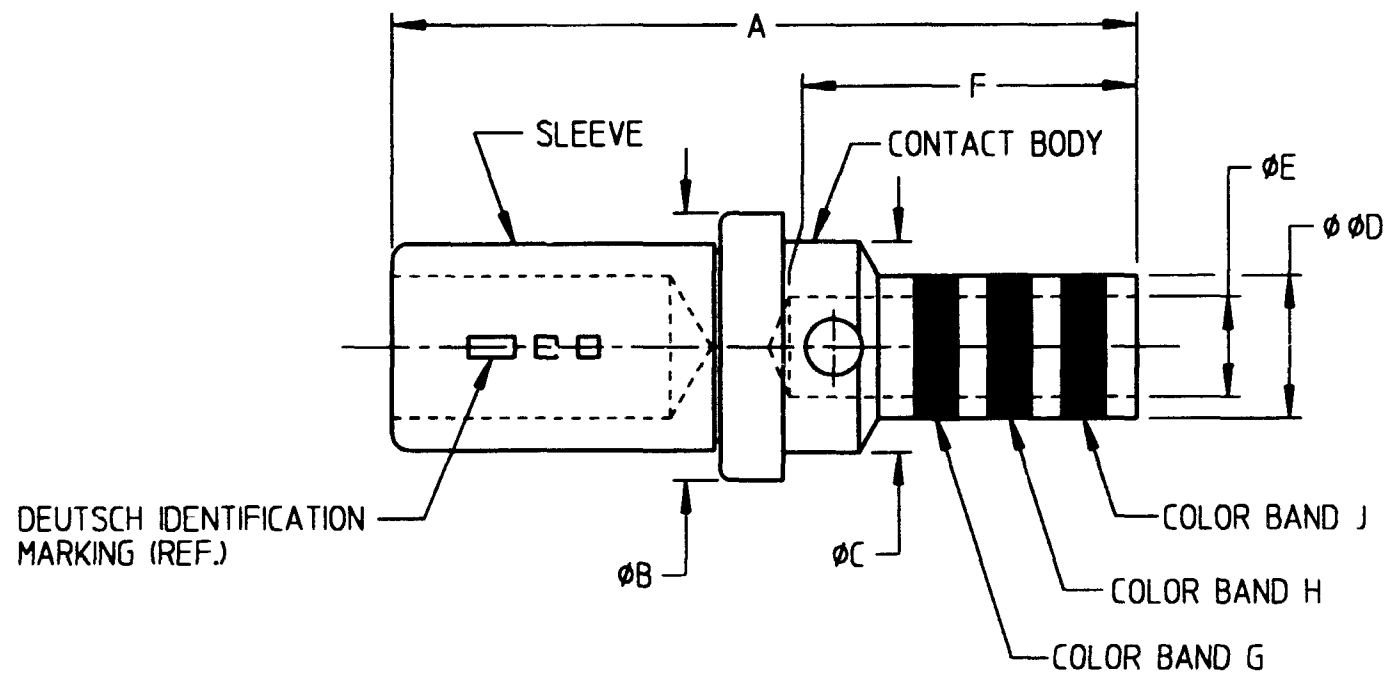


PROPERTY OF DEUTSCH E.C.D.
 This drawing contains proprietary information that shall not be disclosed, duplicated,
 nor used in whole or in part for any purpose other than to evaluate this drawing.

A	1662-216-***31	REVISIONS		
		REV	DESCRIPTION	DATE
A		TABULATED PER E.O. C2147	8-23-95	S



PART NUMBER	SIZE **	ØA MAX.	ØB MAX.	ØC MAX.	ØD MAX.	ØE MIN.	F MIN.	COLOR BAND G	COLOR BAND H	COLOR BAND J
1662-216-2031	20	.358	.094	.070	.048	.0335	.160	WHITE	RED	GREEN
1662-216-1631	16	.358	.130	.103	.070	.046	.160	WHITE	BLUE	RED
1662-216-1231	12	.454	.171	.152	.103	.065	.205	WHITE	YELLOW	BLUE

3. FINISH. BODY - GOLD PER MIL-G-45204, TYPE II, CLASS I,
 OVER SUITABLE UNDERPLATE (EXCLUDING SILVER).
 SLEEVE - PASSIVATED.
2. MATERIAL BODY - COPPER ALLOY PER MIL-C-39029, TYPE A.
 SLEEVE - STAINLESS STEEL.
1. ALL DIMENSIONS ARE IN INCHES UNLESS OTHERWISE SPECIFIED.

SIGNATURE & DATE	
DR	R. GROSS 1-27-95
CHK	J. Powell 8-23-95
PE	R. Doss 1-27-95
APPD	
SCALE	NONE
WT	

CONTACT SOCKET
 CTJS SERIES CONTACTS
 WITH REDUCED CRIMP BARRELS
 AND SPECIAL COLOR BANDS PER
 McDONNELL DOUGLAS ST449-#
 ENVELOPE

CP		MATL CODE	
DEUTSCH			
ENGINEERED CONNECTING DEVICES			
36033 Whittier Ave. Hemet, California			
A	1662-216-***31	CODE	
DWG SIZE		SHEET	1 OF 1

1662-216-XX31_eny_A