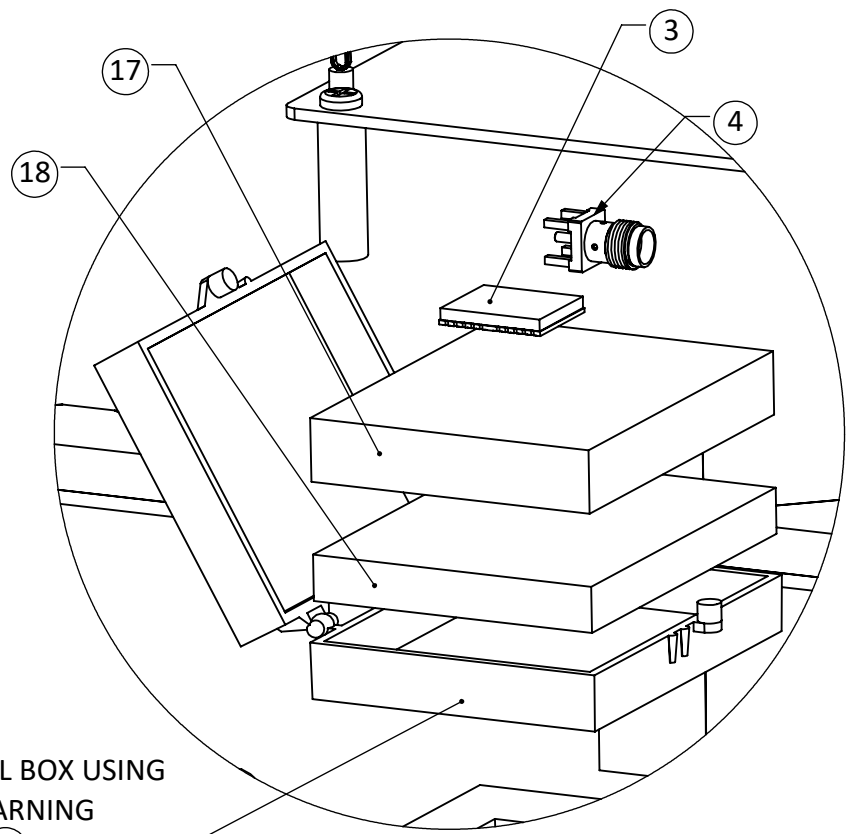
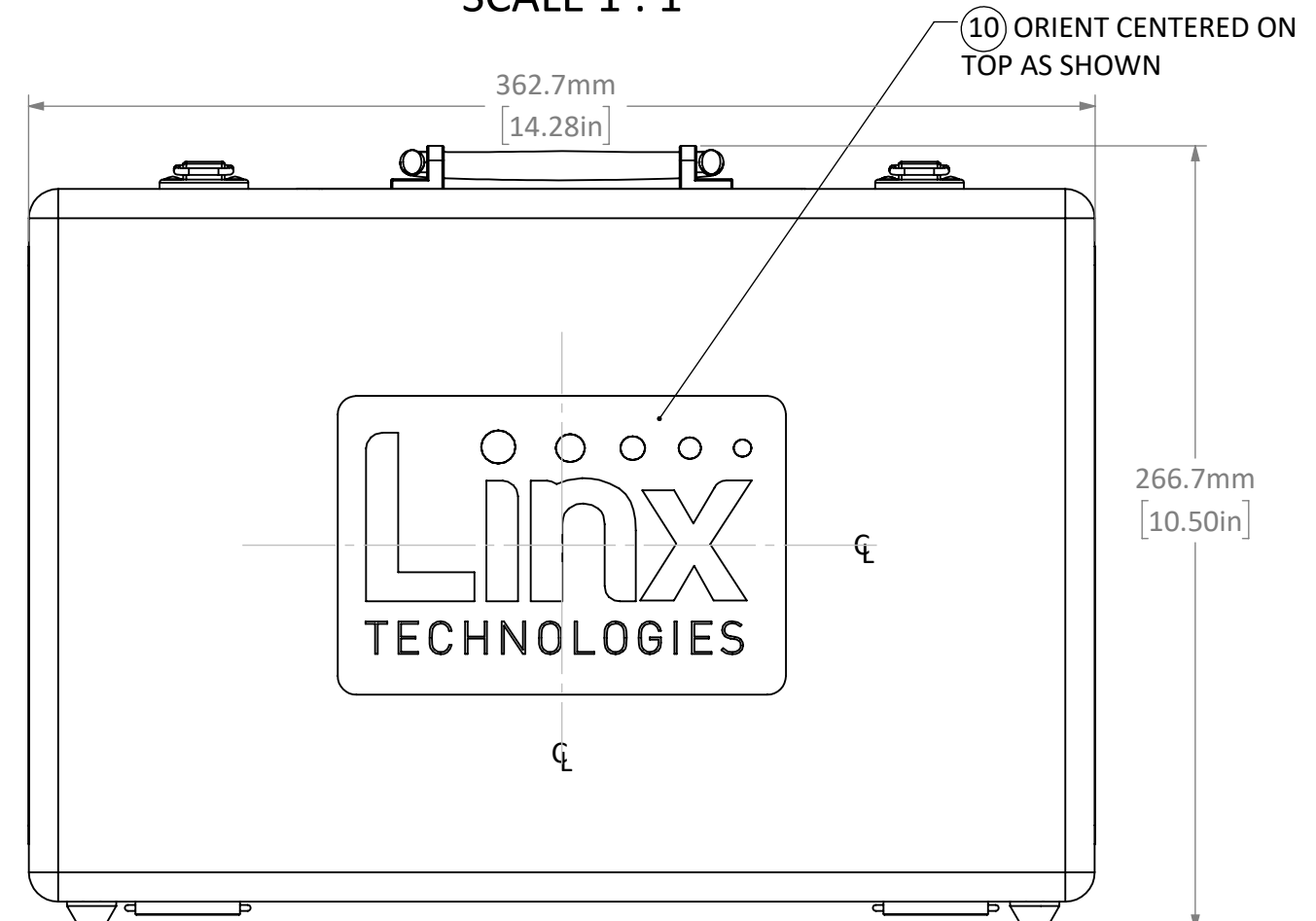
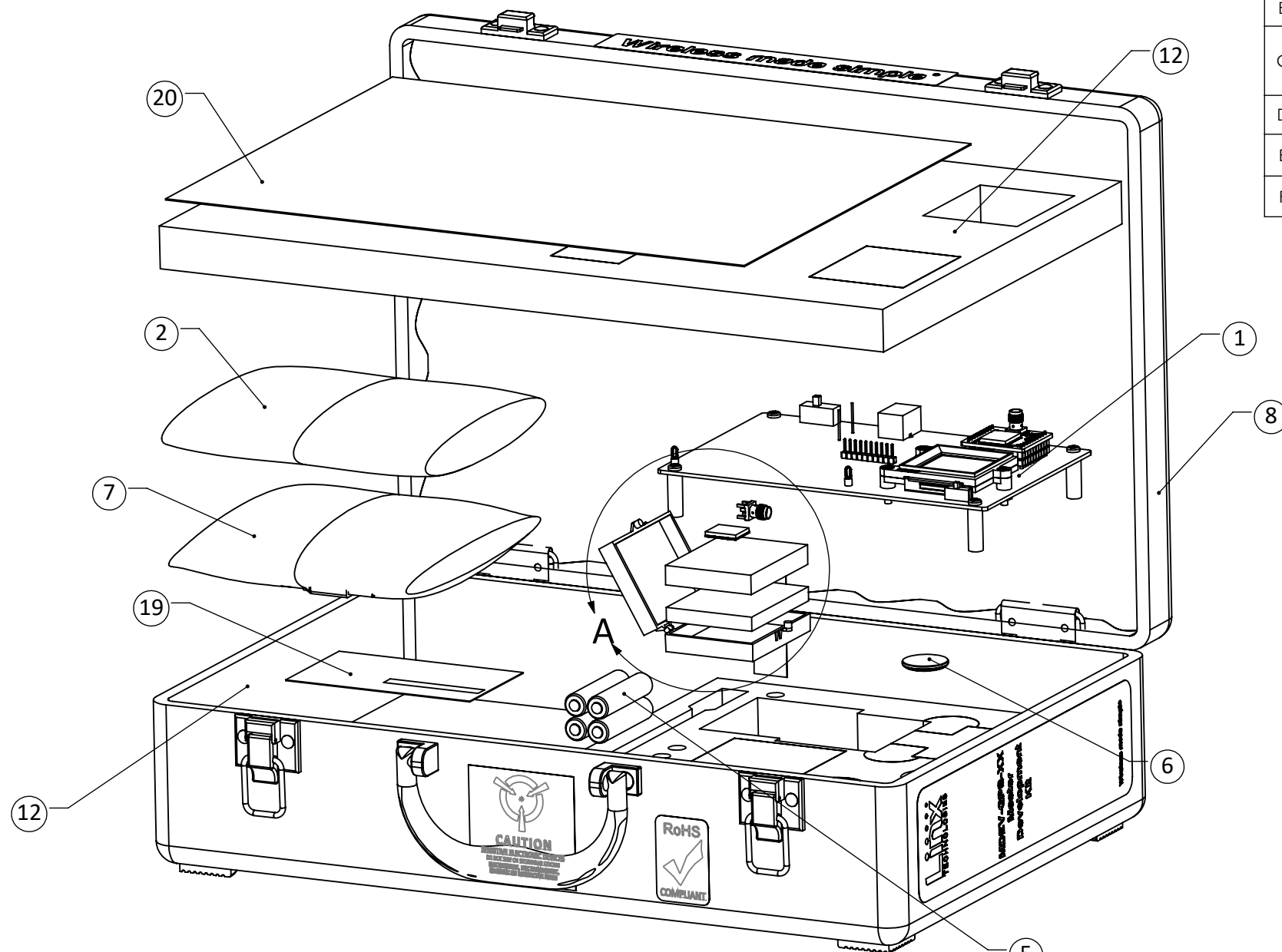


PART NUMBER TABLE			
PART NUMBER	ITEM 1	ITEM 3	ITEM 9
MDEV-GPS-F4	ASM-MDEV-GPS-F4	RXM-GPS-F4	LBL-CAS-GPS-F4
MDEV-GPS-R4	ASM-MDEV-GPS-R4	RXM-GPS-R4	LBL-CAS-GPS-R4
MDEV-GPS-FM	ASM-MDEV-GPS-FM	RXM-GPS-FM	LBL-CAS-GPS-FM
MDEV-GNSS-GM	ASM-MDEV-GNSS-GM	RXM-GNSS-GM	LBL-CAS-GNSS-GM
MDEV-GPS-RM	ASM-MDEV-GPS-RM	RXM-GPS-RM	LBL-CAS-GPS-RM
MDEV-GNSS-TM	ASM-MDEV-GNSS-TM	RXM-GNSS-TM	LBL-CAS-GNSS-TM

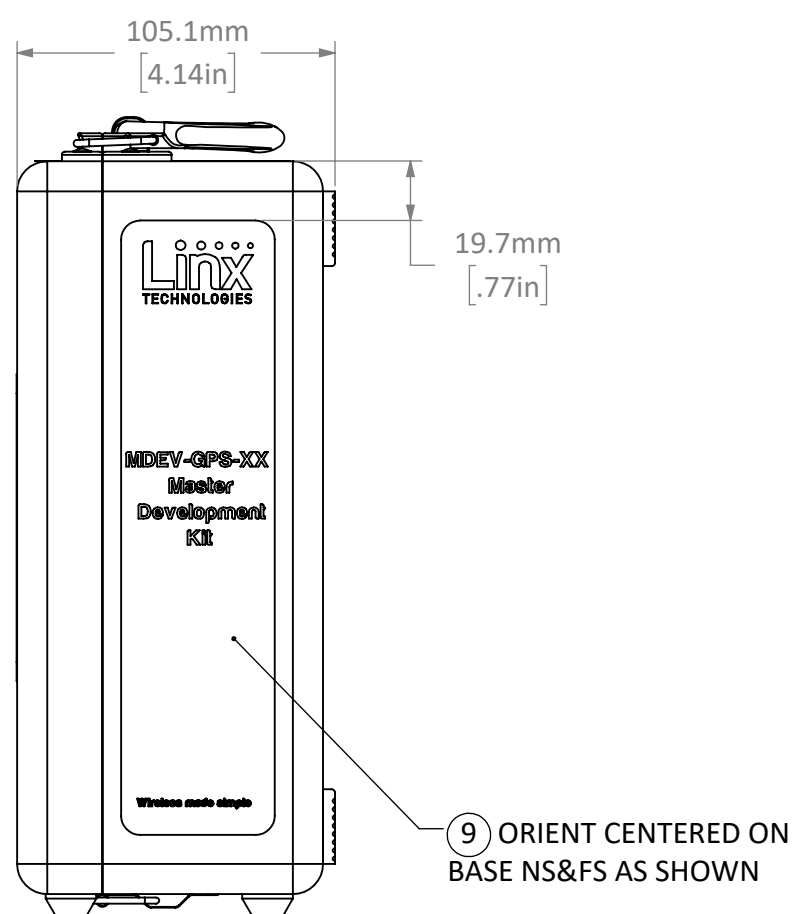
REVISIONS			
REV	DESCRIPTION	DATE	APPV
A	INITIAL RELEASE OF LINX INTERNAL DRAWING	9-AUG-13	CRM
B	UPDATED ITEM 7; WAS OVERVIEW GUIDE IS MAN-MDEV-GPS	5-NOV-13	SAH
C	REMOVED SG AND SR ROWS AND ITEM 8 COLUMN FROM PART NUMBER TABLE; UPDATED ITEMS 7, 8 AND 12; UPDATED NOTE 3	1-JUN-15	SAH
D	UPDATED TO ADD PART 28, QSR-MDEV-GPS	14-FEB-17	CLL
E	UPDATED PART 2; WAS ANT-GPS-SH-SMA IS ANTI-GPS-SH2-SMA	10-OCT-17	CLL
F	REPLACED MANUALS WITH QR CARD DIRECTING CUSTOMER TO WEB DOWNLOAD INFORMATION.	JHAGER 7/19/2021	



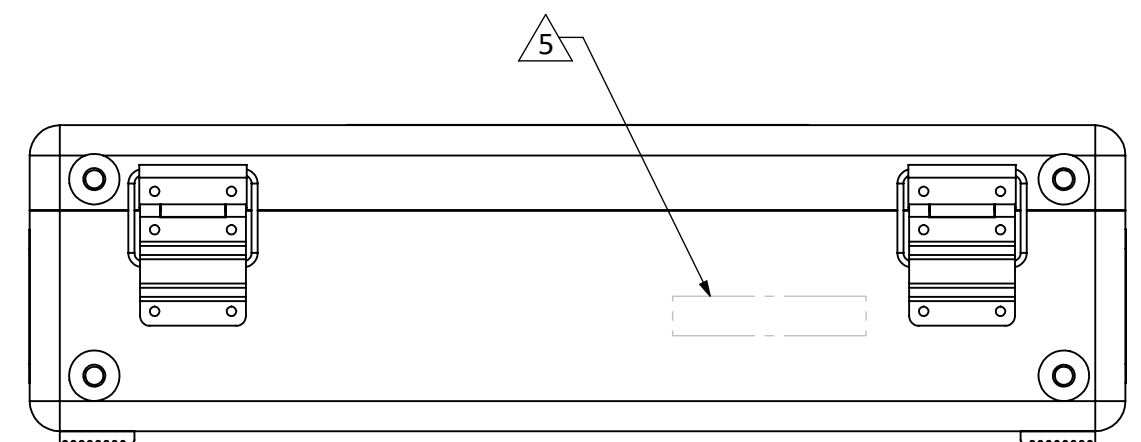
DETAIL A
SCALE 1 : 1



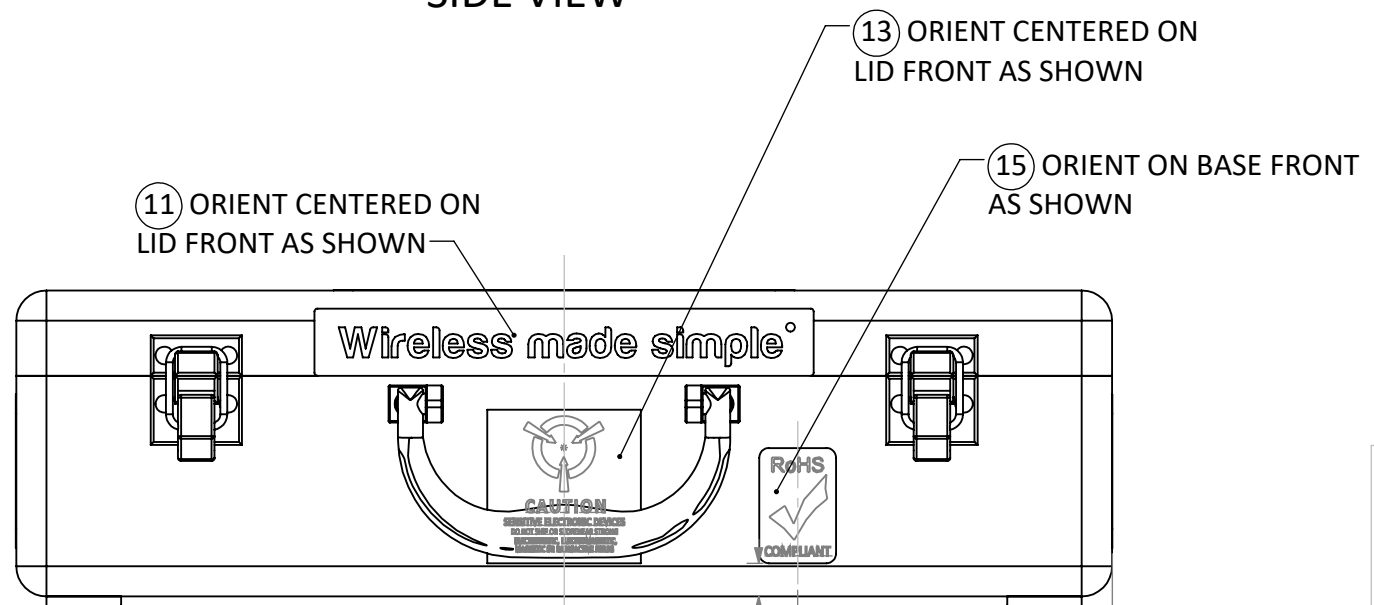
TOP VIEW



SIDE VIEW



BACK VIEW



FRONT VIEW

- NOTES: (UNLESS OTHERWISE SPECIFIED)
- ALL DIMENSIONS ARE IN MILLIMETERS [IN].
 - DIMENSIONS APPLY AFTER FINISHING.
 - MANUFACTURE TO BE COMPLIANT WITH EU RoHS DIRECTIVE, USE MATERIALS THAT DO NOT CONTAIN REACH SUBSTANCES OF VERY HIGH CONCERN >1000ppm, AND USE DRC CONFLICT-FREE SOURCED MATERIALS.
 - ASSEMBLE AND INSPECT PER THE SYSTEMS AND KITS ASSEMBLY PROCEDURE, LDC-OAI-SKP.
 - MARK LOT CODE ASSIGNED ON PURCHASE ORDER OR BUILD REQUEST.
 - PACKAGE AAA BATTERIES [FN5] AND COIN CELL [FN6] IN SEPARATE PRESS SEAL BAGS.
 - PLACE LABELS [FN9-11, 13-15] APPROX WHERE SHOWN USING DIMENSIONS AS REFERENCE GUIDE.

ITEM NO.	PART NUMBER	QTY
1	ASM-MDEV-GxxS-xx (SEE PART NUMBER TABLE)	1
2	ANT-GPS-SH2-SMA	1
3	RXM-GxxS-xx (SEE PART NUMBER TABLE)	1
4	CON SMA001	1
5	BAT-AAA	4
6	BATCOIN001	1
7	CSZ-UBAM-915UBBM	1
8	MEC-EVAL-KIT-CASE	1
9	LBL-CAS-GxxS-xx (SEE PART NUMBER TABLE)	2
10	LBL-CAS-TOP	1
11	LBL-CAS-TAG	1
12	MEC-FOAM-M-E-BOX-ESD	1
13	LBL-ESD-2X2-A	1
14	LBL-ESD-5/8X2-A	1
15	LBL-ROHS-COMP	1
16	MEC-BOX-2.12X1.62X.5	1
17	MEC-FOAM-ESD-PK-A	1
18	MEC-FOM-2X1.6X.25-GY	1
19	CARD-MDEV-GPS-TT	2
20	QSR-MDEV-GPS	1

WARNING: THIS DRAWING CONTAINS PROPRIETARY INFORMATION THAT IS THE SOLE PROPERTY OF LINX TECHNOLOGIES, AND SHALL BE TREATED AS SUCH. NO DISCLOSURE OR REPRODUCTION OF THIS DOCUMENT IS PERMITTED, IN WHOLE OR IN PART, WITHOUT THE EXPRESS WRITTEN PERMISSION OF LINX TECHNOLOGIES OR ITS DESIGNATED AGENTS.

MATERIAL: INTERPRET DIMENSIONS AND TOLERANCES PER ASME Y14.5.
SURFACE FINISH: ✓ ANGLES: ±1°
TOLERANCES: X ±2.0 .XX ±1.0 .XXX ±.500

FINISH: DRAWN: B.MURPHY DT: 7-AUG-13
ENGR: S.HOGAN DT: 5-NOV-13

PROJECTION:

SCALE: 1:2.5 DO NOT SCALE DRAWING

STE 159 ORT LANE
MERLIN, OR 97532

TITLE: **MASTER DEVELOPMENT KIT
GPS/GNSS RECEIVER**

SIZE DWG. NO. REV
C C-MDEV-GxxS-xx **F**

SHEET 1 OF 1