

42076 ✓ ACTIVE

AMPLIVAR

TE Internal #: 42076

Splices, Thru Splice, 22 – 15 AWG Wire Size, .3 – 1.5 mm² Wire Size,

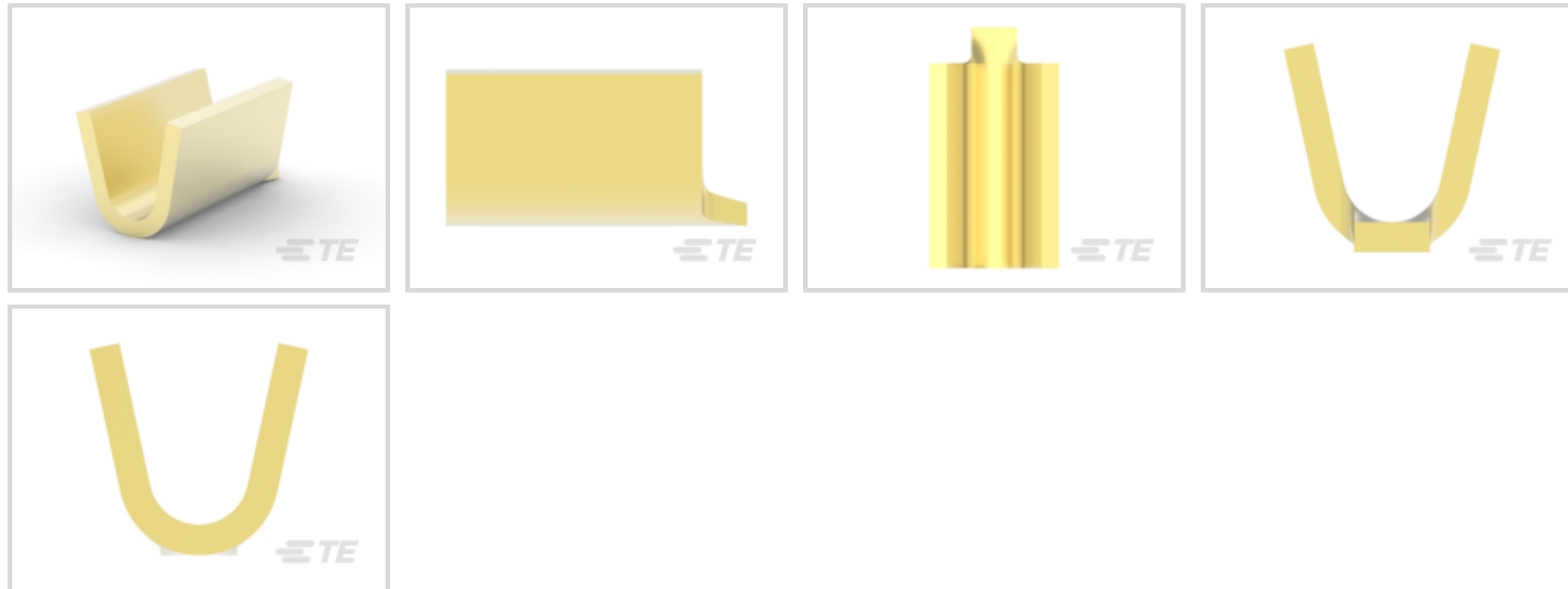
Splice Capacity 3, Serrated, .065 in [1.66 mm] Barrel Inside

Diameter, AMPLIVAR

[View on TE.com >](#)



Terminals & Splices > Splices



Wire Size: .3 – 1.5 mm²

Sealable: No

Splice Capacity: 3

Splice Features: Serrated

Features

Product Type Features

Sealable	No
Splice Type	Thru Splice
Compatible With Discrete Wire Type	Magnet Wire, Solid

Configuration Features

Strip Orientation	End Feed
Splice Capacity	3
Number of Serrations	5

Electrical Characteristics

Operating Voltage	250 V
-------------------	-------

Body Features

Product Weight	.19 g
Splice Features	Serrated

Contact Features

Terminal Plating Material	Unplated
---------------------------	----------



Contact Base Material	Brass
-----------------------	-------

Barrel Type	Open
-------------	------

Termination Features

Crimp Width	2.79 mm [.11 in]
-------------	------------------

Mechanical Attachment

Wire Insulation Support	Without
-------------------------	---------

Dimensions

Wire Size	600 – 3000 CMA
-----------	----------------

Barrel Inside Diameter	1.66 mm [.065 in]
------------------------	-------------------

Terminal Material Thickness	.51 mm [.02 in]
-----------------------------	-----------------

Product Length	5.72 mm [.225 in]
----------------	-------------------

Usage Conditions

Insulation Option	Uninsulated
-------------------	-------------

Operating Temperature Range	-65 – 150 °C [-85 – 302 °F]
-----------------------------	-----------------------------

Operation/Application

Compatible With Wire Base Material	Copper
------------------------------------	--------

Industry Standards

Government Qualified Splice	No
-----------------------------	----

Packaging Features

Packaging Quantity	30000
--------------------	-------

Packaging Method	Strip
------------------	-------

Product Compliance

[For compliance documentation, visit the product page on TE.com>](#)

EU RoHS Directive 2011/65/EU	Compliant
------------------------------	-----------

EU ELV Directive 2000/53/EC	Compliant
-----------------------------	-----------

China RoHS 2 Directive MIIT Order No 32, 2016	No Restricted Materials Above Threshold
---	---

EU REACH Regulation (EC) No. 1907/2006	Current ECHA Candidate List: JUNE 2023 (235) Candidate List Declared Against: JUNE 2023 (235) Does not contain REACH SVHC
--	---

Halogen Content	Low Halogen - Br, Cl, F, I < 900 ppm per homogenous material. Also BFR/CFR/PVC
-----------------	--



Free

Solder Process Capability

Not applicable for solder process capability

Product Compliance Disclaimer

This information is provided based on reasonable inquiry of our suppliers and represents our current actual knowledge based on the information they provided. This information is subject to change. The part numbers that TE has identified as EU RoHS compliant have a maximum concentration of 0.1% by weight in homogenous materials for lead, hexavalent chromium, mercury, PBB, PBDE, DBP, BBP, DEHP, DIBP, and 0.01% for cadmium, or qualify for an exemption to these limits as defined in the Annexes of Directive 2011/65/EU (RoHS2). Finished electrical and electronic equipment products will be CE marked as required by Directive 2011/65/EU. Components may not be CE marked. Additionally, the part numbers that TE has identified as EU ELV compliant have a maximum concentration of 0.1% by weight in homogenous materials for lead, hexavalent chromium, and mercury, and 0.01% for cadmium, or qualify for an exemption to these limits as defined in the Annexes of Directive 2000/53/EC (ELV). Regarding the REACH Regulation, the information TE provides on SVHC in articles for this part number is based on the latest European Chemicals Agency (ECHA) 'Guidance on requirements for substances in articles' posted at this URL: <https://echa.europa.eu/guidance-documents/guidance-on-reach>

Compatible Parts



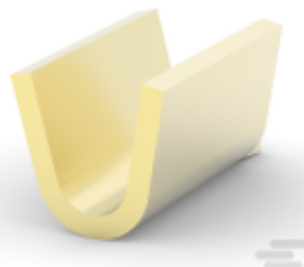
TE Part # 63564-1
SPLICE AMVAR 2000-5400 020BR



TE Part # 42192-1
SPLC AMVAR 600-3000 020BR



TE Part # 1217384-1
AMVAR SPL 600-3000 7 SERR TPBR



TE Part # 170152-3
AMP SPLICE



TE Part # 42192-2
SPLC AMVAR 600-3000 020TPBR


Also in the Series | AMPLIVAR




Crimp Wire Pins, Tabs & Ferrules(5)



Magnet Wire Terminals(4)



PCB Terminals(1)



Quick Disconnects(40)

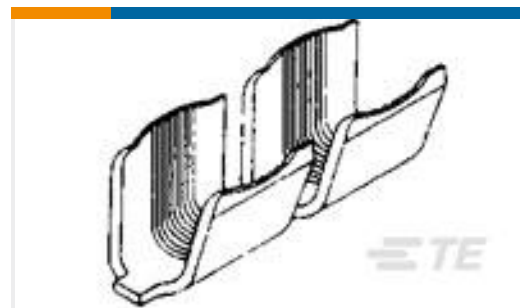
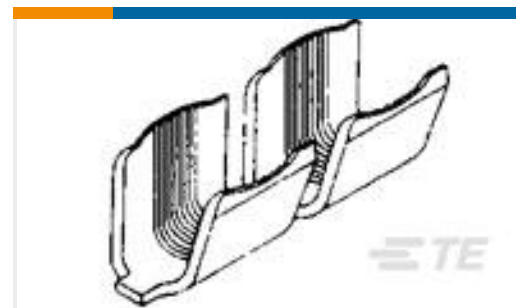
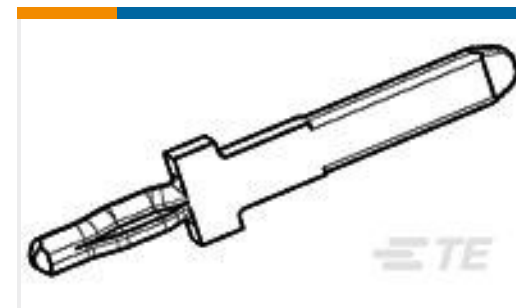
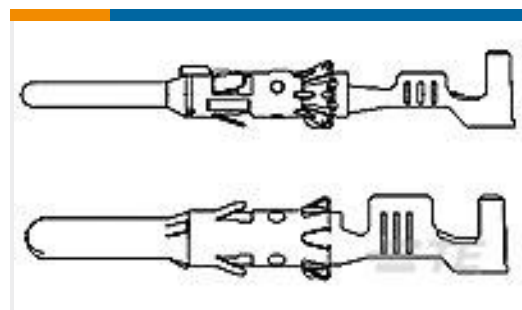
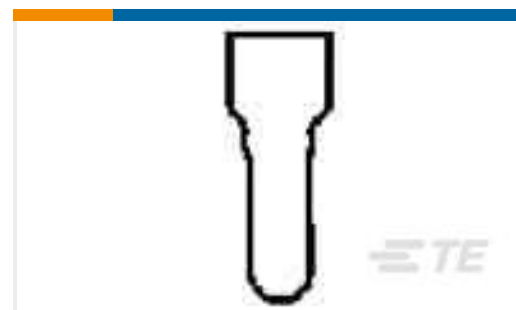


Ring Terminals(28)



Splices(77)

Customers Also Bought

TE Part #61116-1
CMNL PIN 24-18 PTBRTE Part #42192-1
SPLC AMVAR 600-3000 020BRTE Part #41765
SPLC AMVAR 1500-5000 020BRTE Part #368405-2
ACTION PIN FOR 040 TABTE Part #929962-1
STIFTKONTAKT 2,5MMDTE Part #1337772-4
50/OHM COAX BNC STR PLUG ELB PTE Part #55927-1
SPLICE WIRE CE BLACK 22-14TE Part #140635
RING TONGUE .157 (4.0 MM)
TERMINAL BRTE Part #1-480401-0
01P CMNL CAP HSG F/H BLKTE Part #8-456135-0
CRIMPER, INSUL "O" (.090")

Documents

Product Drawings

[SPLC AMVAR 600-3000 020BR](#)

English

CAD Files

[3D PDF](#)

3D

[Customer View Model](#)

[ENG_CVM_CVM_42076_BC_c-42076-bc.2d_dxf.zip](#)



English

Customer View Model

[ENG_CVM_CVM_42076_BC_c-42076-bc.3d_igs.zip](#)

English

Customer View Model

[ENG_CVM_CVM_42076_BC_c-42076-bc.3d_stp.zip](#)

English

By downloading the CAD file I accept and agree to the [Terms and Conditions](#) of use.

Datasheets & Catalog Pages

[1654742_HOUSEHOLD_APPLIANCES_RAST5](#)

English

Magnet Wire Terminals & Splices

English

Product Specifications

Application Specification

English

AMPLIVAR 5 Serration Thru Splice

English

No title

Japanese

Application Specification

Japanese

No title

English

Application Specification

English