

2-1903389-3 ✓ ACTIVE



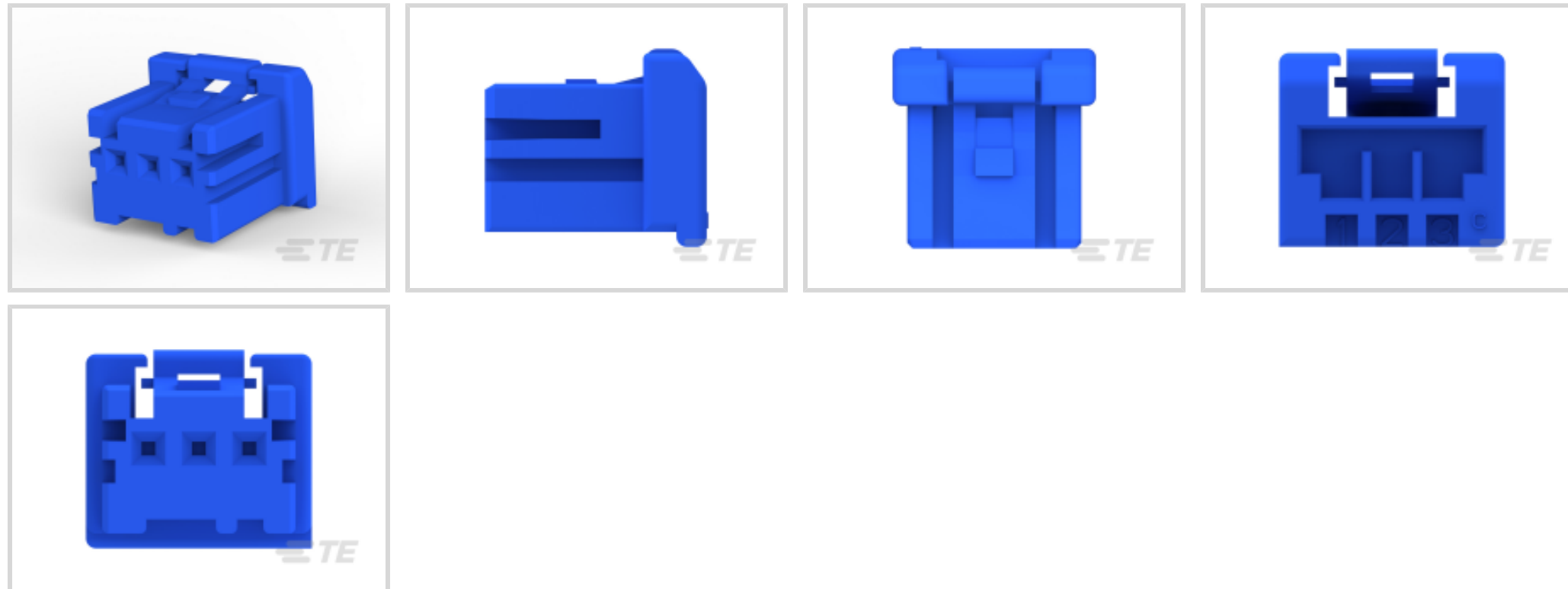
## GRACE INERTIA 2.5

TE Internal #: 2-1903389-3

Rectangular Connector Housings, Wire-to-Wire, 3 Position, .098 in [2.5 mm] Centerline, 1 Row, PBT GF, Plug, Socket, Wire & Cable, GRACE INERTIA 2.5

[View on TE.com >](#)

Connectors > Rectangular Connectors > Rectangular Connector Housings > STD Temp Sig GRACE INERTIA Plug



Connector System: **Wire-to-Wire**

Number of Positions: **3**

Centerline (Pitch): **2.5 mm [ .098 in ]**

Number of Rows: **1**

Housing Material: **PBT GF**

[All STD Temp Sig GRACE INERTIA Plug \(63\)](#)

### Features

#### Product Type Features

Connector System	Wire-to-Wire
Connector & Housing Type	Plug
Sealable	No
Connector & Contact Terminates To	Wire & Cable

#### Configuration Features

Number of Cavities	3
Number of Positions	3
Number of Rows	1

#### Electrical Characteristics

Operating Voltage	250 VAC
-------------------	---------

#### Contact Features

Contact Layout	Inline
----------------	--------



Contact Type	Socket
--------------	--------

### Mechanical Attachment

Connector Mounting Type	Cable Mount (Free-Hanging)
-------------------------	----------------------------

### Housing Features

Housing Color	Blue
---------------	------

Centerline (Pitch)	2.5 mm[.098 in]
--------------------	-----------------

Housing Material	PBT GF
------------------	--------

### Dimensions

Connector Height	11 mm[.433 in]
------------------	----------------

Product Width	9.6 mm[.378 in]
---------------	-----------------

Product Length	11.2 mm[.441 in]
----------------	------------------

### Usage Conditions

Operating Temperature Range	-30 – 105 °C[-22 – 221 °F]
-----------------------------	----------------------------

### Operation/Application

Halogen Free	No
--------------	----

Circuit Application	Signal
---------------------	--------

### Identification Marking

Circuit Identification Feature	Without
--------------------------------	---------

### Industry Standards

Glow Wire Rating	Standard Part - Not Glow Wire
------------------	-------------------------------

Compatible With Agency/Standards Products	UL
---	----

Compatible With Approved Standards Products	UL E28476
---	-----------

UL Flammability Rating	UL 94V-0
------------------------	----------

### Packaging Features

Packaging Quantity	1000
--------------------	------

Packaging Method	Bag
------------------	-----

### Product Compliance

[For compliance documentation, visit the product page on TE.com>](#)

EU RoHS Directive 2011/65/EU	Compliant
------------------------------	-----------

EU ELV Directive 2000/53/EC	Compliant
-----------------------------	-----------

China RoHS 2 Directive MIIT Order No 32, 2016	No Restricted Materials Above Threshold
---	---



EU REACH Regulation (EC) No. 1907/2006

Current ECHA Candidate List: JUNE 2023 (235)

Candidate List Declared Against: JUNE 2023 (235)

Does not contain REACH SVHC

Halogen Content

Not Low Halogen - contains Br or Cl > 900 ppm.

Solder Process Capability

Not applicable for solder process capability

Product Compliance Disclaimer

This information is provided based on reasonable inquiry of our suppliers and represents our current actual knowledge based on the information they provided. This information is subject to change. The part numbers that TE has identified as EU RoHS compliant have a maximum concentration of 0.1% by weight in homogenous materials for lead, hexavalent chromium, mercury, PBB, PBDE, DBP, BBP, DEHP, DIBP, and 0.01% for cadmium, or qualify for an exemption to these limits as defined in the Annexes of Directive 2011/65/EU (RoHS2). Finished electrical and electronic equipment products will be CE marked as required by Directive 2011/65/EU. Components may not be CE marked. Additionally, the part numbers that TE has identified as EU ELV compliant have a maximum concentration of 0.1% by weight in homogenous materials for lead, hexavalent chromium, and mercury, and 0.01% for cadmium, or qualify for an exemption to these limits as defined in the Annexes of Directive 2000/53/EC (ELV). Regarding the REACH Regulation, the information TE provides on SVHC in articles for this part number is based on the latest European Chemicals Agency (ECHA) 'Guidance on requirements for substances in articles' posted at this URL: <https://echa.europa.eu/guidance-documents/guidance-on-reach>

### Compatible Parts



TE Part # CAT-G7534A-P729  
STD Temp Sig GRACE INERTIA Plug




TE Part # CAT-G7534A-C1701  
STD Temp Sig GRACE INERTIA Cap




TE Part # 1903392-1  
GIC 2.5 W CAP HSG 3P NATURAL

### Also in the Series | GRACE INERTIA 2.5




Connector Contacts(6)



Connector Hardware(7)



PCB Headers & Receptacles(138)



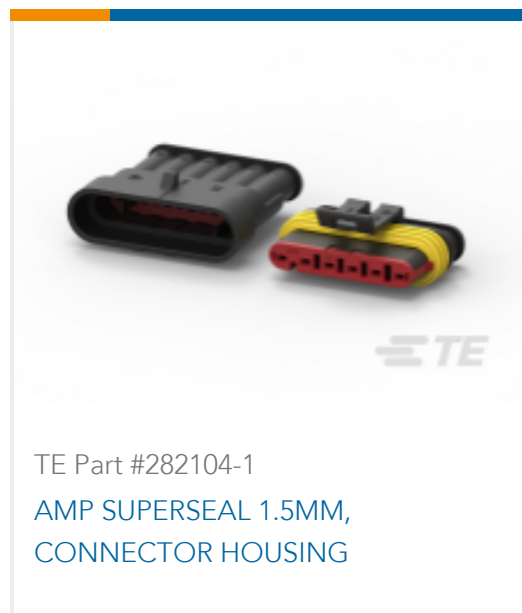
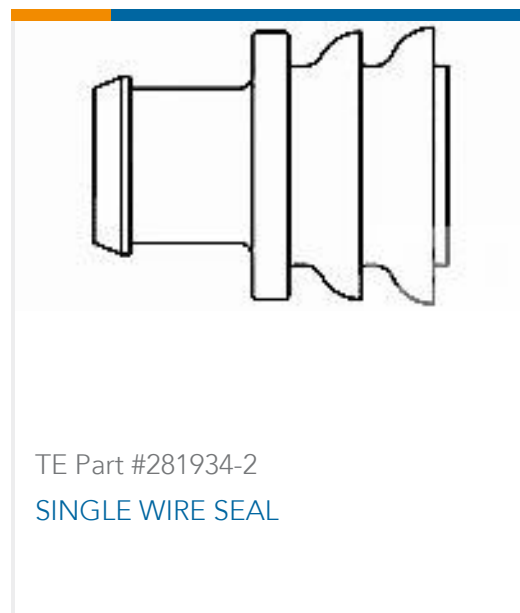
Rectangular Connector Housings(49)



Rectangular Power Connectors(35)

Wire-to-Board Connector Assemblies  
& Housings(46)

## Customers Also Bought

TE Part #DT04-2P  
REC, 2P, GRY, NTE Part #DT06-2S  
PLG, 2P, GRY, NTE Part #W2S  
Wedgelocks: DEUTSCH DTTE Part #0460-202-16141  
DEUTSCH Solid ContactsTE Part #282104-1  
AMP SUPERSEAL 1.5MM,  
CONNECTOR HOUSINGTE Part #281934-2  
SINGLE WIRE SEALTE Part #114017-ZZ  
SEALING PLUG, SIZE 12/16, WHT

## Documents

### Product Drawings

[GIC 2.5 W PLUG HSG 3P BLUE](#)

English

### CAD Files

[3D PDF](#)

3D

Customer View Model

[ENG\\_CVM\\_CVM\\_2-1903389-3\\_G\\_c-2-1903389-3-g.2d\\_dxf.zip](#)

English

Customer View Model

[ENG\\_CVM\\_CVM\\_2-1903389-3\\_G\\_c-2-1903389-3-g.3d\\_igs.zip](#)

English

Customer View Model

[ENG\\_CVM\\_CVM\\_2-1903389-3\\_G\\_c-2-1903389-3-g.3d\\_stp.zip](#)

English

By downloading the CAD file I accept and agree to the [Terms and Conditions](#) of use.



---

[Product Specifications](#)

[Application Specification](#)

English