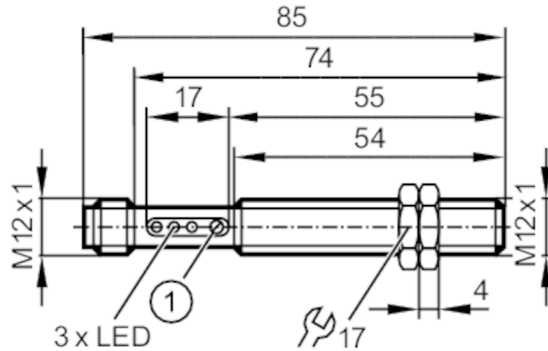


OF5025



Retro-reflective sensor

OFP-FPKG/US-100



1 potentiometer



Product characteristics

| | |
|---------------|---------------|
| Type of light | red light |
| Housing | threaded type |

Application

| | |
|--------------------|--|
| Special feature | polarisation filter; Function check output |
| Function principle | Retro-reflective sensor |

Electrical data

| | |
|-----------------------------|------------|
| Operating voltage [V] | 10...36 DC |
| Current consumption [mA] | < 35 |
| Protection class | II |
| Reverse polarity protection | yes |
| Type of light | red light |
| Wave length [nm] | 660 |

Outputs

| | |
|--|---------------------------------------|
| Electrical design | PNP |
| Output function | light-on/dark-on mode; (programmable) |
| Max. voltage drop switching output DC [V] | 2.5 |
| Function check output | yes |
| Max. voltage drop of function check output [V] | 3.5 |
| Max. current load for function check output [mA] | 10 |
| Permanent current rating of switching output DC [mA] | 200 |
| Switching frequency DC [Hz] | 320 |
| Short-circuit protection | yes |
| Type of short-circuit protection | pulsed |
| Overload protection | yes |

Detection zone

| | |
|---|--|
| Range referred to prismatic reflector [m] | 0.2...0.8; (Prismatic reflector Ø 80 E20005) |
|---|--|

OF5025



Retro-reflective sensor

OFP-FPKG/US-100

| | |
|--------------------------------|------------------|
| Range adjustable | yes |
| Max. light spot diameter [mm] | 70 |
| Light spot dimensions refer to | at maximum range |
| Polarisation filter available | yes |

Operating conditions

| | |
|--------------------------|----------|
| Ambient temperature [°C] | -25...60 |
| Protection | IP 65 |

Tests / approvals

| | | |
|--------------|--------------|---------|
| EMC | EN 60947-5-2 | |
| | EN 55011 | class B |
| MTTF [years] | 615 | |

Mechanical data

| | |
|--------------------|------------------------------------|
| Weight [g] | 40.3 |
| Housing | threaded type |
| Dimensions [mm] | M12 x 1 / L = 74 |
| Thread designation | M12 x 1 |
| Materials | housing: brass white bronze coated |
| Lens material | PMMA |

Displays / operating elements

| | | |
|---------|------------------|-----------------|
| Display | switching status | 1 x LED, yellow |
| | operation | 1 x LED, green |
| | function | 1 x LED, red |

Accessories

| | |
|----------------|------------------------------|
| Items supplied | lock nuts: 2 screwdrivers |
|----------------|------------------------------|

Remarks

| | |
|---------------|--------|
| Pack quantity | 1 pcs. |
|---------------|--------|

Electrical connection

Connector: 1 x M12; coding: A

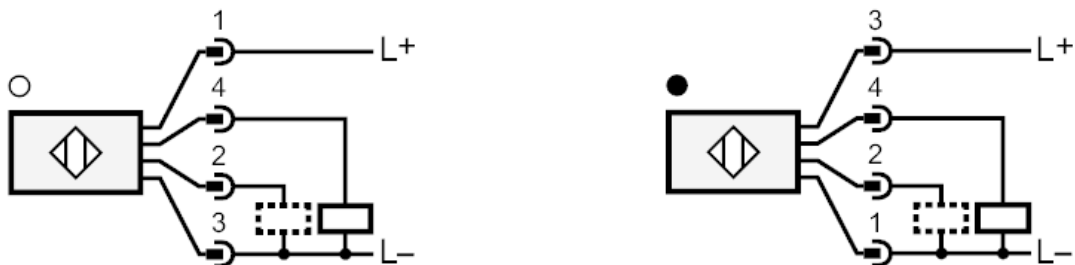




Retro-reflective sensor

OFP-FPKG/US-100

Connection



2 Function check output

Diagrams and graphs

excess gain graph

