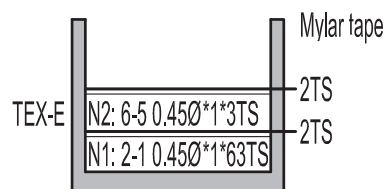
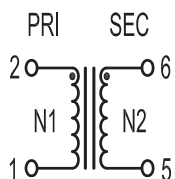
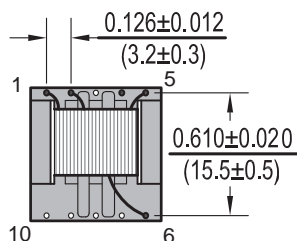
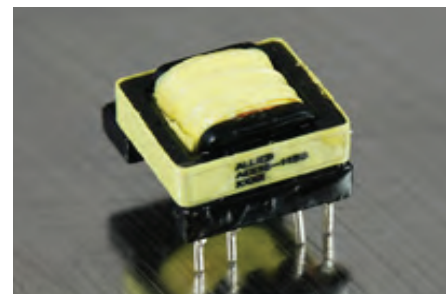
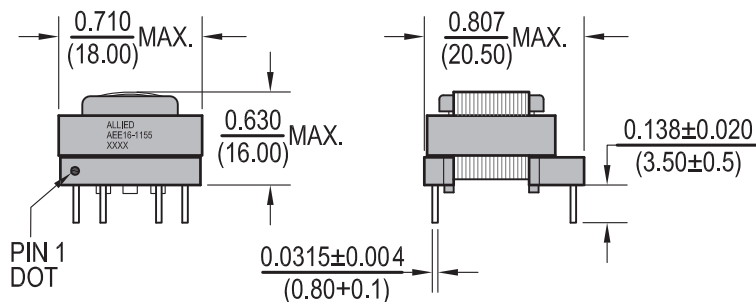


AEE16-1155

High Frequency Transformer



Pins 3, 8, 9,10 Removed

ELECTRICAL SPECIFICATIONS:

INDUCTANCE: 100KHz/0.1V (HP-4284A)
 2 - 1: 235 μ H \pm 10%

TURNS RATIO: 21:1

LEAKAGE INDUCTANCE: 100KHz/0.1V (HP-4284A)
 2 - 1: 50 μ H MAX (SHORT 6-5)

DCR: (CH-502A AT 25 $^{\circ}$ C)
 2 - 1: 0.33 OHM MAX
 6 - 5: 24 mOHM MAX

HI-POT TEST:

PRI TO SEC : AC 3000V 3mA FOR 1 SEC
 CORE TO COIL : AC 1000V 3mA FOR 1 SEC

INSULATION TEST:

PRI TO SEC & COIL TO CORE : 100 mOHM MIN BY DC 500V

OPERATING TEMPERATURE: -40 $^{\circ}$ C TO 130 $^{\circ}$ C