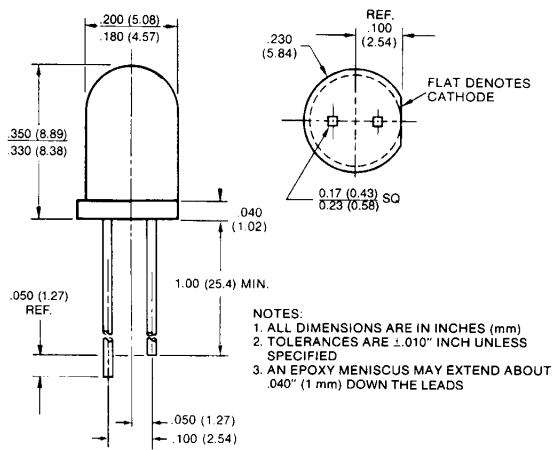


ORANGE MV5153/4A MV6153/4A
YELLOW MV5353/4A MV6353/4A
HIGH EFFICIENCY GREEN MV5453/4A MV64530/1 MV6454A
HIGH EFFICIENCY RED MV5753/4A MV6753/4A

PACKAGE DIMENSIONS



C1062L

DESCRIPTION

These solid state indicators offer a variety of diffused lens effects and color availability. The High Efficiency Red and Yellow devices are made with gallium arsenide phosphide on gallium phosphide. The Green units are made with gallium phosphide on gallium phosphide. All devices are available with cathode long as MV5X5X, or with anode long as MV6X5X.

FEATURES

- High efficiency GaP light source with various lens effects
- Versatile mounting on PC board or panel
- Snap in grommet MP52 available as separate order item
- Long life—solid state reliability
- Low power requirements
- Compact, rugged, lightweight

PHYSICAL CHARACTERISTICS

CATHODE LONG	ANODE LONG	SOURCE COLOR	LENS TYPE	LENS EFFECT	APPLICATION
MV5153	MV6153	High Efficiency Red	Amber Diffused	Wide Beam	Direct View
MV5154A	MV6154A	High Efficiency Red	Amber Diffused	Narrow Beam	High Bright Direct View
MV5353	MV6353	Yellow	Yellow Diffused	Wide Beam	Direct View
MV5354A	MV6354A	Yellow	Yellow Diffused	Narrow Beam	High Bright Direct View
MV5453	MV64530/1	High Efficiency Green	Green Diffused	Wide Beam	Direct View
MV5454A	MV6454A	High Efficiency Green	Green Diffused	Narrow Beam	High Bright Direct View
MV5753	MV6753	High Efficiency Red	Red Diffused	Wide Beam	Direct View
MV5754A	MV6754A	High Efficiency Red	Red Diffused	Narrow Beam	High Bright Direct View

ELECTRO-OPTICAL CHARACTERISTICS (25°C Free Air Temperature)											
PARAMETER	TEST COND.	UNITS	6153	6154A	6353	6354A	64530	64531	6454A	6753	6754A
			5153	5154A	5353	5354A	5453	54531	5454A	5753	5754A
Forward voltage (V _f)	typ.	I _f =20 mA	2.0	2.0	2.1	2.1	2.2	2.2	2.2	2.0	2.0
	max.	I _f =20 mA	3.0	3.0	3.0	3.0	3.0	3.0	3.0	3.0	3.0
Luminous Intensity	min.	I _f =20 mA	3.0	10.0	2.5	10.0	3.0	7.0	10.0	3.0	10.0
	typ.	I _f =20 mA	15	25	15	25	20	20	30	15	25
Peak wavelength	I _f =20 mA	nm	635	635	585	585	562	562	562	635	635
Spectral line half width	I _f =20 mA	nm	45	45	35	35	30	30	30	45	45
Capacitance typ.	V=0, f=1 MHz	pF	45	45	45	45	20	20	20	45	45
Reverse voltage (V _r) min.	I _r =100 μA	V	5	5	5	5	5	5	5	5	5
Reverse current (I _r) max.	V _r =5.0 V	μA	100	100	100	100	100	100	100	100	100
Viewing angle (total)	See Fig. 3	degrees	65	24	65	24	75	75	24	65	24

ABSOLUTE MAXIMUM RATINGS (T_A=25°C Unless Otherwise Specified)			
	YELLOW	H.E. RED, ORANGE	GREEN
Power dissipation at 25°C ambient	85 mW	120 mW	120 mW
Derate linearly from 25°C (MVX453/4A from 50°C)	1.6 mW/°C	1.6 mW/°C	1.6 mW/°C
Storage and operating temperatures	-55°C to +100°C	-55°C to +100°C	-55°C to +100°C
Lead soldering time at 260°C (See Note 2)	5 sec.	5 sec.	5 sec.
Continuous forward current at 25°C	20 mA	35 mA	30 mA
Peak forward current (1 μsec pulse, 0.3% duty cycle)	60 mA	1.0 A	90 mA
Reverse voltage	5.0 V	5.0 V	5.0 V

NOTES
1. The axis of spatial distribution are typically within a 10° cone with reference to the central axis of the device.
2. The leads of the device were immersed in molten solder, at 260°C, to a point 1/16 inch (1.6 mm) from the body of the device per MIL-S-750, with a dwell time of 5 seconds.

TYPICAL ELECTRO-OPTICAL CHARACTERISTIC CURVES
(25°C Free Air Temperature Unless Otherwise Specified)

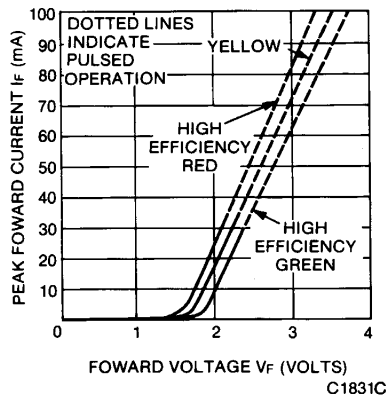


Fig. 1. Forward Current vs. Forward Voltage

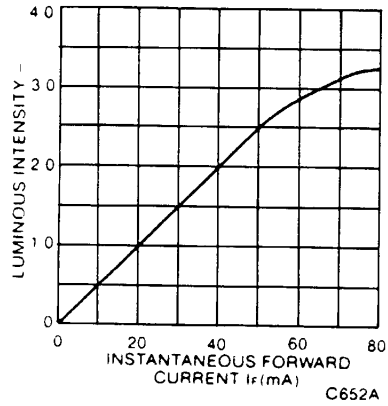


Fig. 2. Luminous Intensity vs. Forward Current

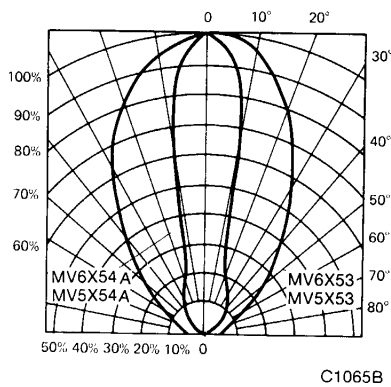


Fig. 3. Spatial Distribution
(See Note 1)

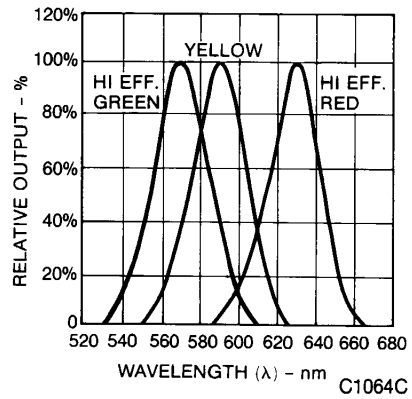


Fig. 4. Spectral Distribution



DIFFUSED T-1 3/4 SOLID STATE LAMPS

DISCLAIMER

FAIRCHILD SEMICONDUCTOR RESERVES THE RIGHT TO MAKE CHANGES WITHOUT FURTHER NOTICE TO ANY PRODUCTS HEREIN TO IMPROVE RELIABILITY, FUNCTION OR DESIGN. FAIRCHILD DOES NOT ASSUME ANY LIABILITY ARISING OUT OF THE APPLICATION OR USE OF ANY PRODUCT OR CIRCUIT DESCRIBED HEREIN; NEITHER DOES IT CONVEY ANY LICENSE UNDER ITS PATENT RIGHTS, NOR THE RIGHTS OF OTHERS.

LIFE SUPPORT POLICY

FAIRCHILD'S PRODUCTS ARE NOT AUTHORIZED FOR USE AS CRITICAL COMPONENTS IN LIFE SUPPORT DEVICES OR SYSTEMS WITHOUT THE EXPRESS WRITTEN APPROVAL OF THE PRESIDENT OF FAIRCHILD SEMICONDUCTOR CORPORATION. As used herein:

1. Life support devices or systems are devices or systems which, (a) are intended for surgical implant into the body, or (b) support or sustain life, and (c) whose failure to perform when properly used in accordance with instructions for use provided in the labeling, can be reasonably expected to result in a significant injury of the user.
2. A critical component in any component of a life support device or system whose failure to perform can be reasonably expected to cause the failure of the life support device or system, or to affect its safety or effectiveness.

Fairchild Semiconductor

[SEARCH](#) | [Parametric](#) | [Cross Reference](#)[space](#)[Product Folders and](#)[Applia](#)[find products](#)[Home >> Find products >>](#)[Products groups](#)[Analog and Mixed](#)[Signal](#)[Discrete](#)[Interface](#)[Logic](#)[Microcontrollers](#)[Non-Volatile](#)[Memory](#)[Optoelectronics](#)[Markets and applications](#)[New products](#)[Product selection and parametric search](#)[Cross-reference search](#)

MV6354A

Yellow Diffused T-1 3/4 Solid State Lamp

Contents

[General description](#) | [Features](#) | [Testing conditions](#) | [Product status/pricing/packaging](#)

General description

These solid state indicators offer a variety of diffused lens effects and color availability. The high efficiency red and yellow devices are made with gallium arsenide phosphide on gallium phosphide. The green units are made with gallium phosphide on gallium phosphide. All devices are available with cathode long as MV5X5X or with anode long as MV6X5X.

Datasheet

[Download this datasheet](#)[PDF](#)[e-mail this datasheet](#)[\[E-](#)

This page

[Print version](#)

Related Links

[Request samples](#)[Dotted line](#)[How to order products](#)[Dotted line](#)[Product Change Notices](#)[\(PCNs\)](#)[Dotted line](#)[Support](#)[Dotted line](#)[Distributor and field sales](#)[representatives](#)[Dotted line](#)[Quality and reliability](#)[Dotted line](#)[Design tools](#)[technical information](#)[buy products](#)[technical support](#)[my Fairchild](#)[company](#)[back to top](#)

Features

- High efficiency GaP light source with various lens effects
- Versatile mounting on PC board or panel
- Snap in grommet MP52 available as separate order item
- Long life - solid state reliability
- Low power requirements
- Compact, rugged, lightweight

[back to top](#)

Testing conditions

- $V_F @ I_F = 20 \text{ mA}$; $I_V @ I_F = 20 \text{ mA}$

[back to top](#)

Product status/pricing/packaging

Product	Product status	Pricing*	Package type	Packing method
MV6354A.A5R0	Full Production	\$0.058	T-1 3/4	TAPE REEL
MV6354A	Full Production	\$0.051	T-1 3/4	BULK

* 1,000 piece Budgetary Pricing

[back to top](#)

[Home](#) | [Find products](#) | [Technical information](#) | [Buy products](#) | [Support](#) | [Company](#) | [Contact us](#) | [Site index](#) | [Privacy policy](#)

© Copyright 2002 Fairchild Semiconductor

Fairchild Semiconductor

SEARCH | [Parametric](#) | [Cross Reference](#)[space](#)[Product Folders and](#)[Appliea](#)[find products](#)[Home >> Find products >>](#)[Products groups](#)[Analog and Mixed](#)[Signal](#)[Discrete](#)[Interface](#)[Logic](#)[Microcontrollers](#)[Non-Volatile](#)[Memory](#)[Optoelectronics](#)[Markets and applications](#)[New products](#)[Product selection and parametric search](#)[Cross-reference search](#)

MV5354A

Yellow Diffused T-1 3/4 Solid State Lamp

Contents

[General description](#) | [Features](#) | [Testing conditions](#) | [Product status/pricing/packaging](#)

General description

These solid state indicators offer a variety of diffused lens effects and color availability. The high efficiency red and yellow devices are made with gallium arsenide phosphide on gallium phosphide. The green units are made with gallium phosphide on gallium phosphide. All devices are available with cathode long as MV5X5X or with anode long as MV6X5X.

Datasheet

[Download this datasheet](#)[PDF](#)[e-mail this datasheet](#)[\[E-\]](#)

This page

[Print version](#)

Related Links

[Request samples](#)[Dotted line](#)[How to order products](#)[Dotted line](#)[Product Change Notices](#)[\(PCNs\)](#)[Dotted line](#)[Support](#)[Dotted line](#)[Distributor and field sales representatives](#)[Dotted line](#)[Quality and reliability](#)[Dotted line](#)[Design tools](#)[technical information](#)[buy products](#)[technical support](#)[my Fairchild](#)[company](#)[back to top](#)

Features

- High efficiency GaP light source with various lens effects
- Versatile mounting on PC board or panel
- Snap in grommet MP52 available as separate order item
- Long life - solid state reliability
- Low power requirements
- Compact, rugged, lightweight

[back to top](#)

Testing conditions

- $V_F @ I_F = 20 \text{ mA}$; $I_V @ I_F = 20 \text{ mA}$

[back to top](#)

Product status/pricing/packaging

Product	Product status	Pricing*	Package type	Packing method
MV5354A.B4R0	Full Production	\$0.058	T-1 3/4	TAPE REEL
MV5354A.A4A0	Full Production	\$0.058	T-1 3/4	AMMO
MV5354A	Full Production	\$0.051	T-1 3/4	BULK

* 1,000 piece Budgetary Pricing

[back to top](#)

[Home](#) | [Find products](#) | [Technical information](#) | [Buy products](#) | [Support](#) | [Company](#) | [Contact us](#) | [Site index](#) | [Privacy policy](#)

© Copyright 2002 Fairchild Semiconductor

Fairchild Semiconductor

SEARCH | [Parametric](#) | [Cross Reference](#)

space

Product Folders and

Applies

find products

[Home](#) >> [Find products](#) >>

[Products groups](#)

[Analog and Mixed](#)

[Signal](#)

[Discrete](#)

[Interface](#)

[Logic](#)

[Microcontrollers](#)

[Non-Volatile](#)

[Memory](#)

[Optoelectronics](#)

[Markets and](#)

[applications](#)

[New products](#)

[Product selection and](#)

[parametric search](#)

[Cross-reference](#)

[search](#)

MV5454A

High Efficiency Green Diffused T-1 3/4 Solid State Lamp

Contents

[General description](#) | [Features](#) | [Testing conditions](#) | [Product status/pricing/packaging](#)

General description

These solid state indicators offer a variety of diffused lens effects and color availability. The high efficiency red and yellow devices are made with gallium arsenide phosphide on gallium phosphide. The green units are made with gallium phosphide on gallium phosphide. All devices are available with cathode long as MV5X5X or with anode long as MV6X5X.

Datasheet

[Download this datasheet](#)

PDF

[e-mail this datasheet](#)

[E-]

This page

[Print version](#)

Related Links

[Request samples](#)

[Dotted line](#)

[How to order products](#)

[Dotted line](#)

[Product Change Notices](#)

[\(PCNs\)](#)

[Dotted line](#)

[Support](#)

[Dotted line](#)

[Distributor and field sales](#)

[representatives](#)

[Dotted line](#)

[Quality and reliability](#)

[Dotted line](#)

[Design tools](#)

technical information

buy products

technical support

my Fairchild

company

[back to top](#)

Features

- High efficiency GaP light source with various lens effects
- Versatile mounting on PC board or panel
- Snap in grommet MP52 available as separate order item
- Long life - solid state reliability
- Low power requirements
- Compact, rugged, lightweight

[back to top](#)

Testing conditions

- $V_F @ I_F = 20 \text{ mA}$; $I_V @ I_F = 20 \text{ mA}$

[back to top](#)

Product status/pricing/packaging

Product	Product status	Pricing*	Package type	Packing method
MV5454A	Full Production	\$0.051	T-1 3/4	BULK
MV5454A.A4A0	Full Production	\$0.058	T-1 3/4	AMMO
MV5454A.B4R0	Full Production	\$0.058	T-1 3/4	TAPE REEL

* 1,000 piece Budgetary Pricing

[back to top](#)

[Home](#) | [Find products](#) | [Technical information](#) | [Buy products](#) | [Support](#) | [Company](#) | [Contact us](#) | [Site index](#) | [Privacy policy](#)

[© Copyright 2002 Fairchild Semiconductor](#)

Fairchild Semiconductor

SEARCH | Parametric | Cross Reference

space

Product Folders and

Applies

find products

Home >> Find products >>

Products groups

Analog and Mixed

Signal

Discrete

Interface

Logic

Microcontrollers

Non-Volatile

Memory

Optoelectronics

Markets and applications

New products

Product selection and parametric search

Cross-reference search

MV6353

Yellow Diffused T-1 3/4 Solid State Lamp

Contents

[General description](#) | [Features](#) | [Testing conditions](#) | [Product status/pricing/packaging](#)

General description

These solid state indicators offer a variety of diffused lens effects and color availability. The high efficiency red and yellow devices are made with gallium arsenide phosphide on gallium phosphide. The green units are made with gallium phosphide on gallium phosphide. All devices are available with cathode long as MV5X5X or with anode long as MV6X5X.

Datasheet

[Download this datasheet](#)

PDF

[e-mail this datasheet](#)

[E-]

This page

[Print version](#)

Related Links

[Request samples](#)

[Dotted line](#)

[How to order products](#)

[Dotted line](#)

[Product Change Notices](#)

[\(PCNs\)](#)

[Dotted line](#)

[Support](#)

[Dotted line](#)

[Distributor and field sales representatives](#)

[Dotted line](#)

[Quality and reliability](#)

[Dotted line](#)

[Design tools](#)

technical information

buy products

technical support

my Fairchild

company

[back to top](#)

Features

- High efficiency GaP light source with various lens effects
- Versatile mounting on PC board or panel
- Snap in grommet MP52 available as separate order item
- Long life - solid state reliability
- Low power requirements
- Compact, rugged, lightweight

[back to top](#)

Testing conditions

- $V_F @ I_F = 20 \text{ mA}; I_V @ I_F = 20 \text{ mA}$

[back to top](#)

Product status/pricing/packaging

Product	Product status	Pricing*	Package type	Packing method
MV6353.A5R0	Full Production	\$0.058	T-1 3/4	TAPE REEL
MV6353.A5R2	Full Production	N/A	T-1 3/4	TAPE REEL
MV6353.B4R0	Full Production	\$0.058	T-1 3/4	TAPE REEL
MV6353.C5A0	Full Production	\$0.058	T-1 3/4	AMMO
MV6353.A4A0	Full Production	\$0.058	T-1 3/4	AMMO
MV6353.A4R0	Full Production	\$0.058	T-1 3/4	TAPE REEL
MV6353.A5A0	Full Production	\$0.058	T-1 3/4	AMMO
MV6353.A6R0	Full Production	\$0.058	T-1 3/4	TAPE REEL
MV6353	Full Production	\$0.051	T-1 3/4	BULK

* 1,000 piece Budgetary Pricing

[back to top](#)

[Home](#) | [Find products](#) | [Technical information](#) | [Buy products](#) | [Support](#) | [Company](#) | [Contact us](#) | [Site index](#) | [Privacy policy](#)

© Copyright 2002 Fairchild Semiconductor

Fairchild Semiconductor

SEARCH | [Parametric](#) | [Cross Reference](#)[space](#)[Product Folders and](#)[Applia](#)[find products](#)[Home >> Find products >>](#)[Products groups](#)[Analog and Mixed](#)[Signal](#)[Discrete](#)[Interface](#)[Logic](#)[Microcontrollers](#)[Non-Volatile](#)[Memory](#)[Optoelectronics](#)[Markets and applications](#)[New products](#)[Product selection and parametric search](#)[Cross-reference search](#)

MV5154A

Orange Diffused T-1 3/4 Solid State Lamp

Contents

[General description](#) | [Features](#) | [Testing conditions](#) | [Product status/pricing/packaging](#)

General description

These solid state indicators offer a variety of diffused lens effects and color availability. The high efficiency red and yellow devices are made with gallium arsenide phosphide on gallium phosphide. The green units are made with gallium phosphide on gallium phosphide. All devices are available with cathode long as MV5X5X or with anode long as MV6X5X.

Datasheet

[Download this datasheet](#)[PDF](#)[e-mail this datasheet](#)[\[E-](#)

This page

[Print version](#)

Related Links

[Request samples](#)[Dotted line](#)[How to order products](#)[Dotted line](#)[Product Change Notices](#)[\(PCNs\)](#)[Dotted line](#)[Support](#)[Dotted line](#)[Distributor and field sales](#)[representatives](#)[Dotted line](#)[Quality and reliability](#)[Dotted line](#)[Design tools](#)[technical information](#)[buy products](#)[technical support](#)[my Fairchild](#)[company](#)[back to top](#)

Features

- High efficiency GaP light source with various lens effects
- Versatile mounting on PC board or panel
- Snap in grommet MP52 available as separate order item
- Long life - solid state reliability
- Low power requirements
- Compact, rugged, lightweight

[back to top](#)

Testing conditions

- $V_F @ I_F = 20 \text{ mA}$; $I_V @ I_F = 20 \text{ mA}$

[back to top](#)

Product status/pricing/packaging

Product	Product status	Pricing*	Package type	Packing method
MV5154A	Full Production	\$0.051	T-1 3/4	BULK
MV5154A.A4A0	Full Production	\$0.058	T-1 3/4	TAPE REEL

* 1,000 piece Budgetary Pricing

[back to top](#)

[Home](#) | [Find products](#) | [Technical information](#) | [Buy products](#) |
[Support](#) | [Company](#) | [Contact us](#) | [Site index](#) | [Privacy policy](#)

© Copyright 2002 Fairchild Semiconductor

Fairchild Semiconductor

SEARCH | [Parametric](#) | [Cross Reference](#)

space

Product Folders and

Applies

find products

[Home](#) >> [Find products](#) >>

[Products groups](#)

[Analog and Mixed](#)

[Signal](#)

[Discrete](#)

[Interface](#)

[Logic](#)

[Microcontrollers](#)

[Non-Volatile](#)

[Memory](#)

[Optoelectronics](#)

[Markets and](#)

[applications](#)

[New products](#)

[Product selection and](#)

[parametric search](#)

[Cross-reference](#)

[search](#)

MV64530

High Efficiency Green Diffused T-1 3/4 Solid State Lamp

Contents

[General description](#) | [Features](#) | [Testing conditions](#) | [Product status/pricing/packaging](#)

General description

These solid state indicators offer a variety of diffused lens effects and color availability. The high efficiency red and yellow devices are made with gallium arsenide phosphide on gallium phosphide. The green units are made with gallium phosphide on gallium phosphide. All devices are available with cathode long as MV5X5X or with anode long as MV6X5X.

Datasheet

[Download this datasheet](#)

PDF

[e-mail this datasheet](#)

[E-]

This page

[Print version](#)

Related Links

[Request samples](#)

[Dotted line](#)

[How to order products](#)

[Dotted line](#)

[Product Change Notices](#)

[\(PCNs\)](#)

[Dotted line](#)

[Support](#)

[Dotted line](#)

[Distributor and field sales](#)

[representatives](#)

[Dotted line](#)

[Quality and reliability](#)

[Dotted line](#)

[Design tools](#)

technical information

buy products

technical support

my Fairchild

company

[back to top](#)

Features

- High efficiency GaP light source with various lens effects
- Versatile mounting on PC board or panel
- Snap in grommet MP52 available as separate order item
- Long life - solid state reliability
- Low power requirements
- Compact, rugged, lightweight

[back to top](#)

Testing conditions

- $V_F @ I_F = 20 \text{ mA}$; $I_V @ I_F = 20 \text{ mA}$

[back to top](#)

Product status/pricing/packaging

Product	Product status	Pricing*	Package type	Packing method
MV64530.A4R0	Full Production	\$0.058	T-1 3/4	TAPE REEL
MV64530.A3R0	Full Production	\$0.058	T-1 3/4	TAPE REEL
MV64530.A4A0	Full Production	\$0.058	T-1 3/4	AMMO
MV64530.A5R0	Full Production	\$0.058	T-1 3/4	TAPE REEL
MV64530.A5A0	Full Production	\$0.058	T-1 3/4	AMMO
MV64530E.A6R0	Full Production	\$0.058	T-1 3/4	TAPE REEL
MV64530.B4A0	Full Production	\$0.058	T-1 3/4	AMMO
MV64530.B4A2	Full Production	N/A	T-1 3/4	AMMO
MV64530	Full Production	\$0.051	T-1 3/4	BULK
MV64530.A5R2	Full Production	N/A	T-1 3/4	TAPE REEL
MV64530.A6R0	Full Production	\$0.058	T-1 3/4	TAPE REEL

* 1,000 piece Budgetary Pricing

[back to top](#)

[Home](#) | [Find products](#) | [Technical information](#) | [Buy products](#) | [Support](#) | [Company](#) | [Contact us](#) | [Site index](#) | [Privacy policy](#)

© Copyright 2002 Fairchild Semiconductor

Fairchild Semiconductor

SEARCH | [Parametric](#) | [Cross Reference](#)

space

Product Folders and

Applies

find products

[Home](#) >> [Find products](#) >>

[Products groups](#)

[Analog and Mixed](#)

[Signal](#)

[Discrete](#)

[Interface](#)

[Logic](#)

[Microcontrollers](#)

[Non-Volatile](#)

[Memory](#)

[Optoelectronics](#)

[Markets and](#)

[applications](#)

[New products](#)

[Product selection and](#)

[parametric search](#)

[Cross-reference](#)

[search](#)

MV6454A

High Efficiency Green Diffused T-1 3/4 Solid State Lamp

Contents

[General description](#) | [Features](#) | [Testing conditions](#) | [Product status/pricing/packaging](#)

General description

These solid state indicators offer a variety of diffused lens effects and color availability. The high efficiency red and yellow devices are made with gallium arsenide phosphide on gallium phosphide. The green units are made with gallium phosphide on gallium phosphide. All devices are available with cathode long as MV5X5X or with anode long as MV6X5X.

Datasheet

[Download this datasheet](#)

PDF

[e-mail this datasheet](#)

[E-]

This page

[Print version](#)

Related Links

[Request samples](#)

[Dotted line](#)

[How to order products](#)

[Dotted line](#)

[Product Change Notices](#)

[\(PCNs\)](#)

[Dotted line](#)

[Support](#)

[Dotted line](#)

[Distributor and field sales](#)

[representatives](#)

[Dotted line](#)

[Quality and reliability](#)

[Dotted line](#)

[Design tools](#)

technical information

buy products

technical support

my Fairchild

company

[back to top](#)

Features

- High efficiency GaP light source with various lens effects
- Versatile mounting on PC board or panel
- Snap in grommet MP52 available as separate order item
- Long life - solid state reliability
- Low power requirements
- Compact, rugged, lightweight

[back to top](#)

Testing conditions

- $V_F @ I_F = 20 \text{ mA}$; $I_V @ I_F = 20 \text{ mA}$

[back to top](#)

Product status/pricing/packaging

Product	Product status	Pricing*	Package type	Packing method
MV6454A	Full Production	\$0.051	T-1 3/4	BULK
MV6454A.A4A0	Full Production	\$0.058	T-1 3/4	AMMO

* 1,000 piece Budgetary Pricing

[back to top](#)

[Home](#) | [Find products](#) | [Technical information](#) | [Buy products](#) |
[Support](#) | [Company](#) | [Contact us](#) | [Site index](#) | [Privacy policy](#)

[© Copyright 2002 Fairchild Semiconductor](#)

Fairchild Semiconductor

[SEARCH](#) | [Parametric](#) | [Cross Reference](#)[space](#)[Product Folders and](#)[Applica](#)[find products](#)[Home >> Find products >>](#)[Products groups](#)[Analog and Mixed](#)[Signal](#)[Discrete](#)[Interface](#)[Logic](#)[Microcontrollers](#)[Non-Volatile](#)[Memory](#)[Optoelectronics](#)[Markets and](#)[applications](#)[New products](#)[Product selection and](#)[parametric search](#)[Cross-reference](#)[search](#)

MV6753

High Efficiency Red Diffused T-1 3/4 Solid State Lamp

Contents

[General description](#) | [Features](#) | [Testing conditions](#) | [Product status/pricing/packaging](#)

General description

These solid state indicators offer a variety of diffused lens effects and color availability. The high efficiency red and yellow devices are made with gallium arsenide phosphide on gallium phosphide. The green units are made with gallium phosphide on gallium phosphide. All devices are available with cathode long as MV5X5X or with anode long as MV6X5X.

Datasheet

[Download this datasheet](#)[PDF](#)[e-mail this datasheet](#)[\[E-](#)

This page

[Print version](#)

Related Links

[Request samples](#)[Dotted line](#)[How to order products](#)[Dotted line](#)[Product Change Notices](#)[\(PCNs\)](#)[Dotted line](#)[Support](#)[Dotted line](#)[Distributor and field sales](#)[representatives](#)[Dotted line](#)[Quality and reliability](#)[Dotted line](#)[Design tools](#)[technical information](#)[buy products](#)[technical support](#)[my Fairchild](#)[company](#)[back to top](#)

Features

- High efficiency GaP light source with various lens effects
- Versatile mounting on PC board or panel
- Snap in grommet MP52 available as separate order item
- Long life - solid state reliability
- Low power requirements
- Compact, rugged, lightweight

[back to top](#)

Testing conditions

- $V_F @ I_F = 20 \text{ mA}; I_V @ I_F = 20 \text{ mA}$

[back to top](#)

Product status/pricing/packaging

Product	Product status	Pricing*	Package type	Packing method
MV6753.A1A0	Full Production	\$0.058	T-1 3/4	AMMO
MV6753.A4A0	Full Production	\$0.058	T-1 3/4	AMMO
MV6753.A5R0	Full Production	\$0.058	T-1 3/4	TAPE REEL
MV6753.A4A2	Full Production	N/A	T-1 3/4	AMMO
MV6753.A3R0	Full Production	\$0.058	T-1 3/4	TAPE REEL
MV6753.A4R0	Full Production	\$0.058	T-1 3/4	TAPE REEL
MV6753.B4A0	Full Production	\$0.058	T-1 3/4	AMMO
MV6753E.A6R0	Full Production	\$0.058	T-1 3/4	TAPE REEL
MV6753.A5A2	Full Production	N/A	T-1 3/4	AMMO
MV6753.A6A0	Full Production	\$0.058	T-1 3/4	AMMO
MV6753	Full Production	\$0.051	T-1 3/4	BULK
MV6753.A2R0	Full Production	\$0.058	T-1 3/4	TAPE REEL
MV6753.B4A2	Full Production	N/A	T-1 3/4	AMMO
MV6753.A6R0	Full Production	\$0.058	T-1 3/4	TAPE REEL

* 1,000 piece Budgetary Pricing

[back to top](#)

[Home](#) | [Find products](#) | [Technical information](#) | [Buy products](#) | [Support](#) | [Company](#) | [Contact us](#) | [Site index](#) | [Privacy policy](#)

© Copyright 2002 Fairchild Semiconductor