



DEUTSCH

TE Internal #: ZPF000000000202708

Rectangular Contact Inserts, Insert for Contacts, Pin, 30 Pole Configuration, Crimp, Wire-to-Wire, 30 Position, Sealable, 26 – 22 AWG Wire Size

[View on TE.com >](#)

Connectors > Rectangular Connectors > Rectangular Contact Inserts



Rectangular Connector Insert Type: **Insert for Contacts**

Contact Type: **Pin**

Pole Configuration: **30**

Termination Method to Wire & Cable: **Crimp**

Connector System: **Wire-to-Wire**

Features

Product Type Features

Rectangular Connector Insert Type	Insert for Contacts
Connector System	Wire-to-Wire
Sealable	Yes
Connector & Contact Terminates To	Wire & Cable

Configuration Features

Number of Positions	30
---------------------	----

Body Features

Primary Product Material	Composite
--------------------------	-----------

Contact Features

Contact Type	Pin
Pole Configuration	30
Contact Current Rating (Max)	5 A

Termination Features

Termination Method to Wire & Cable	Crimp
------------------------------------	-------

Mechanical Attachment

Connector Mounting Type	Cable Mount (Free-Hanging)
-------------------------	----------------------------

Housing Features



Centerline (Pitch)	2.15 mm[.084 in]
--------------------	------------------

Dimensions

Wire Size	.15 – .4 mm ²
-----------	--------------------------

Usage Conditions

Operating Temperature Range	-55 – 175 °C[-67 – 347 °F]
-----------------------------	----------------------------

Operation/Application

Circuit Application	Power, Signal & High Speed Data
---------------------	---------------------------------

Packaging Features

Packaging Quantity	1
Packaging Method	Package

Product Compliance

[For compliance documentation, visit the product page on TE.com>](#)

EU RoHS Directive 2011/65/EU	Compliant with Exemptions
EU ELV Directive 2000/53/EC	Out of Scope
China RoHS 2 Directive MIIT Order No 32, 2016	Restricted Materials Above Threshold
EU REACH Regulation (EC) No. 1907/2006	Current ECHA Candidate List: JUNE 2023 (235) Candidate List Declared Against: JUNE 2023 (235) SVHC > Threshold: Pb (1.2% in alloy) Article Safe Usage Statements: Do not eat, drink or smoke when using this product. Wash thoroughly after handling. Recycle if possible and dispose of the article by following all applicable governmental regulations relevant to your geographic location.
Halogen Content	Low Halogen - Br, Cl, F, I < 900 ppm per homogenous material. Also BFR/CFR/PVC Free
Solder Process Capability	Not reviewed for solder process capability

Product Compliance Disclaimer

This information is provided based on reasonable inquiry of our suppliers and represents our current actual knowledge based on the information they provided. This information is subject to change. The part numbers that TE has identified as EU RoHS compliant have a maximum concentration of 0.1% by weight in homogenous materials for lead, hexavalent chromium, mercury, PBB, PBDE, DBP, BBP, DEHP, DIBP, and 0.01% for cadmium, or qualify for an exemption to these limits as defined in the Annexes of Directive 2011/65/EU (RoHS2). Finished electrical and electronic equipment products will be CE marked as required by Directive 2011/65/EU. Components may not be CE marked. Additionally, the part numbers that TE has identified as EU ELV compliant have a maximum concentration of 0.1% by weight in homogenous materials for lead, hexavalent chromium, and mercury, and 0.01% for cadmium, or qualify for an exemption to these limits as defined in the Annexes of Directive 2000/53/EC (ELV). Regarding the REACH Regulation, the information TE provides



on SVHC in articles for this part number is based on the latest European Chemicals Agency (ECHA) 'Guidance on requirements for substances in articles' posted at this URL: <https://echa.europa.eu/guidance-documents/guidance-on-reach>

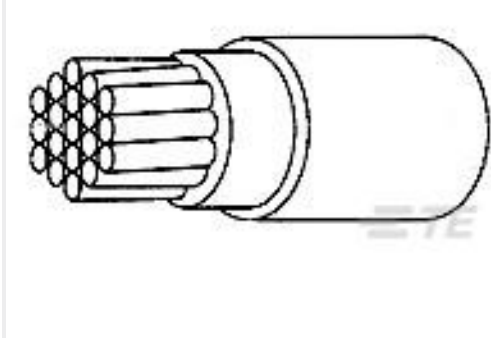
Customers Also Bought



TE Part #5-1971793-4
NEW GI CONN2.5 PLUG HSG 5P YLW



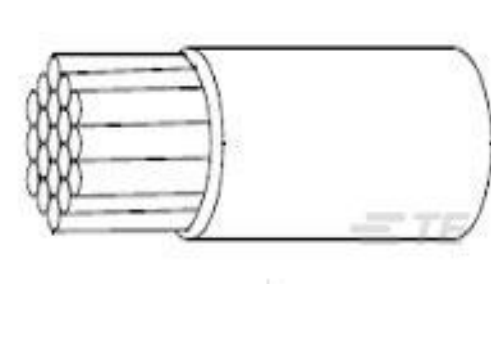
TE Part #ZPF00000000015318
DMC-M 20-22 SN



TE Part #1007553001
100G0111-0.25-9




TE Part #282218-006
81044/12-20-9



TE Part #844453-001
22759/32-30-0



TE Part #407399-000
55FB1524-26-7L/7L6-0



TE Part #ZPF00000000003738
732-8053-10 WA



TE Part #9656663001
44A0111-16-9CK0001

Documents

Product Drawings

[DMC-MR 30-23 PN](#)

English

CAD Files

[3D PDF](#)

3D

Customer View Model

[ENG_CVM_CVM_ZPF000000000202708_1.2d_dxf.zip](#)

English

Customer View Model

[ENG_CVM_CVM_ZPF000000000202708_1.3d_igs.zip](#)

English

Customer View Model

[ENG_CVM_CVM_ZPF000000000202708_1.3d_stp.zip](#)

English

By downloading the CAD file I accept and agree to the [Terms and Conditions](#) of use.

Datasheets & Catalog Pages

[DEUTSCH DMCM 30-23 Inserts](#)

English

