



## Product Compliance

[For compliance documentation, visit the product page on TE.com>](#)

EU RoHS Directive 2011/65/EU	Compliant with Exemptions
EU ELV Directive 2000/53/EC	Compliant with Exemptions
China RoHS 2 Directive MIIT Order No 32, 2016	Restricted Materials Above Threshold
EU REACH Regulation (EC) No. 1907/2006	Current ECHA Candidate List: JUNE 2023 (235) Candidate List Declared Against: JUNE 2023 (235) SVHC > Threshold: Pb (1.2% in Component) <b>Article Safe Usage Statements:</b> Do not eat, drink or smoke when using this product. Wash thoroughly after handling. Recycle if possible and dispose of the article by following all applicable governmental regulations relevant to your geographic location.
Halogen Content	Low Halogen - Br, Cl, F, I < 900 ppm per homogenous material. Also BFR/CFR/PVC Free
Solder Process Capability	Reflow solder capable to 245°C

### Product Compliance Disclaimer

This information is provided based on reasonable inquiry of our suppliers and represents our current actual knowledge based on the information they provided. This information is subject to change. The part numbers that TE has identified as EU RoHS compliant have a maximum concentration of 0.1% by weight in homogenous materials for lead, hexavalent chromium, mercury, PBB, PBDE, DBP, BBP, DEHP, DIBP, and 0.01% for cadmium, or qualify for an exemption to these limits as defined in the Annexes of Directive 2011/65/EU (RoHS2). Finished electrical and electronic equipment products will be CE marked as required by Directive 2011/65/EU. Components may not be CE marked. Additionally, the part numbers that TE has identified as EU ELV compliant have a maximum concentration of 0.1% by weight in homogenous materials for lead, hexavalent chromium, and mercury, and 0.01% for cadmium, or qualify for an exemption to these limits as defined in the Annexes of Directive 2000/53/EC (ELV). Regarding the REACH Regulation, the information TE provides on SVHC in articles for this part number is based on the latest European Chemicals Agency (ECHA) 'Guidance on requirements for substances in articles' posted at this URL: <https://echa.europa.eu/guidance-documents/guidance-on-reach>

## Compatible Parts

 <p>TE Part # YDTS20F21-75BCV001 RECP ASSY</p>	 <p>TE Part # YDTS20F21-75BDV001 RECP ASSY</p>	 <p>TE Part # YDTS20F21-75BEV001 RECP ASSY</p>	 <p>TE Part # YDTS20F21-75SAV001 RECP ASSY</p>
---	--	---	---



TE Part # YDTS20W21-75BEV001  
RECP ASSY



TE Part # YDTS20W21-75SAV001  
RECP ASSY



TE Part # YDTS24F21-75BCV001  
RECP ASSY



TE Part # YDTS24F21-75BDV001  
RECP ASSY



TE Part # YDTS24F21-75BEV001  
RECP ASSY



TE Part # YDTS24F21-75SAV001  
RECP ASSY



TE Part # YDTS26W25-08SNV001  
PLUG ASSY



TE Part # YDTS20F21-75SAC001  
RECP ASSY



TE Part # YDTS20T21-75BAV001  
RECP ASSY



TE Part # YDTS20T21-75BBV001  
RECP ASSY



TE Part # YDTS20T21-75BCV001  
RECP ASSY



TE Part # YDTS20T21-75BDV001  
RECP ASSY



TE Part # YDTS20T21-75BEV001  
RECP ASSY



TE Part # YDTS20T21-75BNV001  
RECP ASSY



TE Part # YDTS20T21-75SAC001  
RECP ASSY

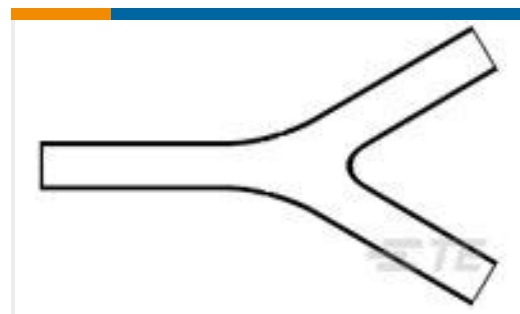


TE Part # YDTS20T21-75SBC001  
RECP ASSY

### Customers Also Bought




TE Part #3-1630019-7  
HSC200 82R 5%



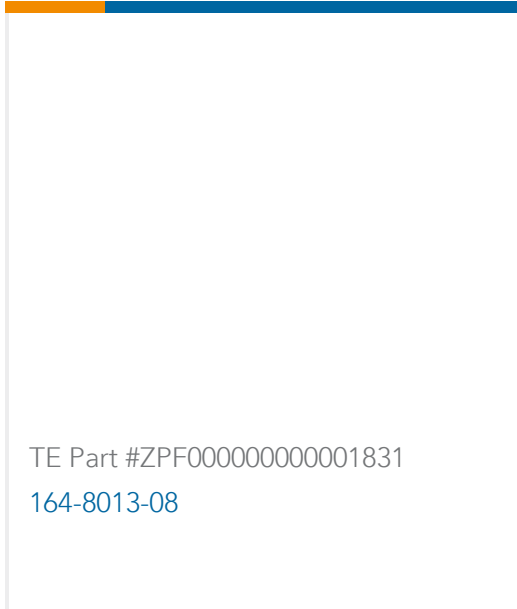
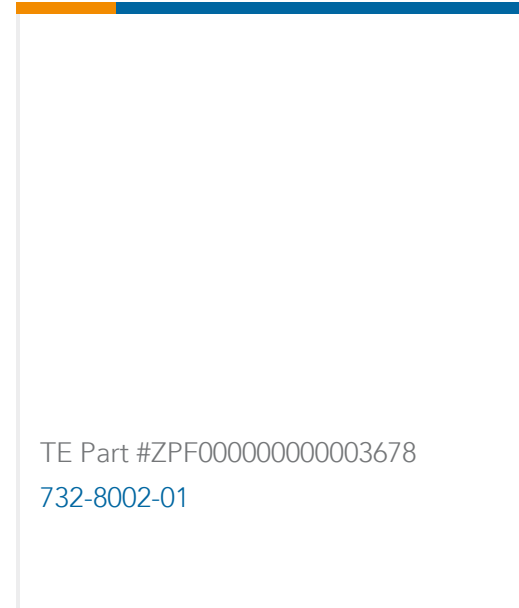
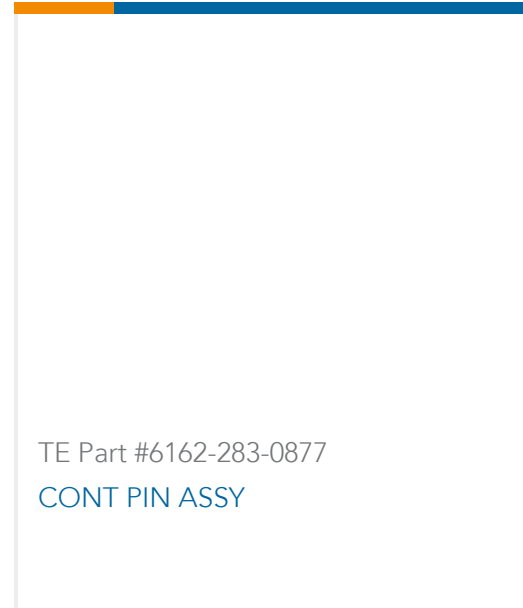
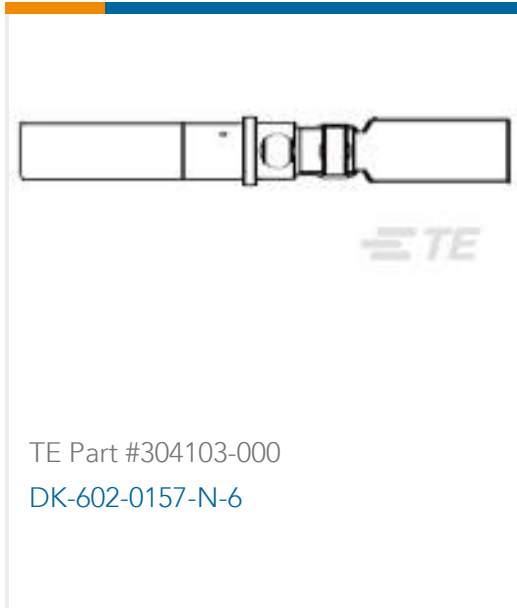
TE Part #202817-000  
381A302-71/86-0



TE Part #324058  
TERMINAL, T-N R 1/0 1/2



TE Part #6162-217-1277  
COAX SOC ASSY



## Documents

### Product Drawings

[CONT SOC ASSY](#)

English

### Instruction Sheets

[Instruction Sheet \(U.S.\)](#)

English