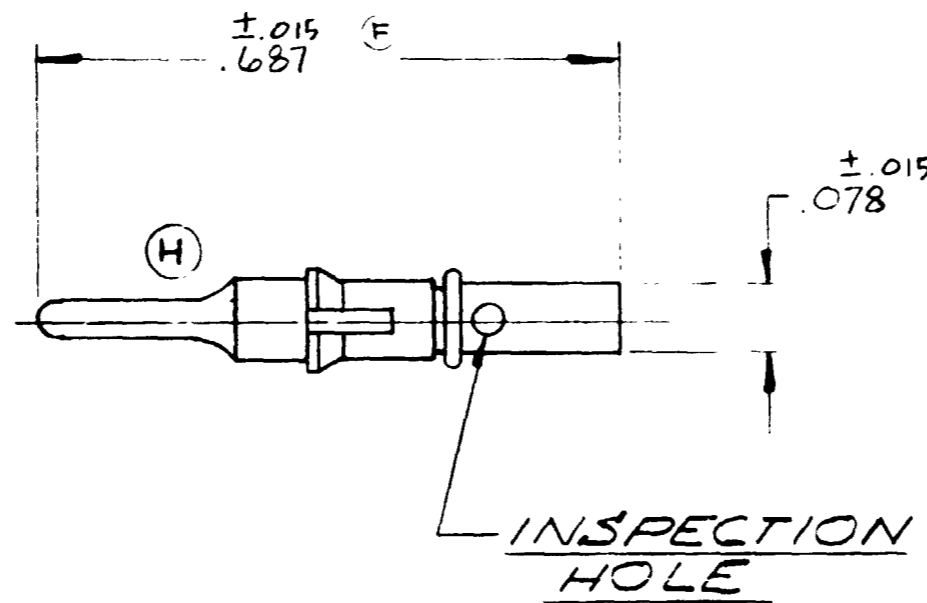


800-20/32-2



J	REVISED PER E.O. 12812	AC	3-26-87
H	ADDED RADIUS ECR 15663	DG	7-30-63
G	1. DELETED RADIUS 3-19-63 2. ADD. RADIUS 200 3. ADD. RADIUS 200 ECR 13470		
F	11 WAS 11 MAX. TO ECR 05724	SC	2-22-62
E	SEE SHT. 3 1. NOTE REMOVED 2. NOTE ADDED ECR 04077	GB	
D	ADDED SHT. 3 ECR 03579	BH	5-5-61
C	ADDED SHEET 2 ECR 02591	BH	3-2-61
B	WAS 010117 DCN 53759	HN	3-22-60
A	DCN 53265	HN	3-22-60
	REDRAWN		
NO.	CHANGE	BY	DATE

FINISH: CURRENT CARRYING SURFACES

② .000050 GOLD ① ④ ⑤

NOTES:
1. DE-BURR ALL SHARP EDGES

TOLERANCES
FRACTIONS ±.015 DECIMALS ±.005 ANGLES ± 1/2°
UNLESS OTHERWISE SPECIFIED

THE DEUTSCH COMPANY
ELECTRONIC COMPONENTS DIVISION
MUNICIPAL AIRPORT, BANNING, CALIF.

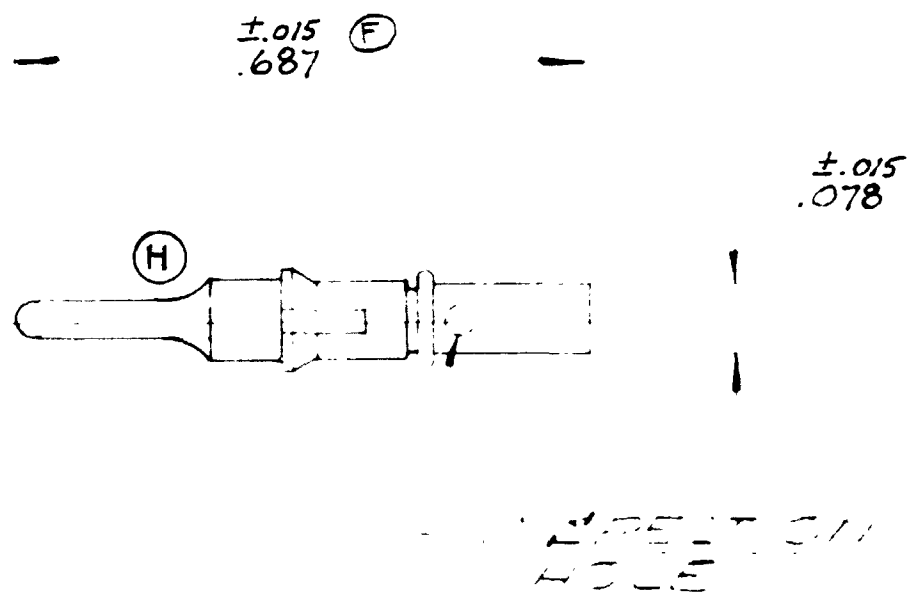
DRAWN *Curtis*
CHECKED *F. J. ... 3/21/60*
APPROVED *CCD 3/21/60*

MATERIAL	SPEC.	
MATERIAL	SPEC.	
MATERIAL	SPEC.	
FORGING	SPEC.	WT.

CONTACT ASSY PIN
SIZE 20
(FOR 18-24 WIRE)
ENVELOPE

DATE 3-29-60 SCALE —
800-20/32-2

ECR-15663-2



FOR RCA ONLY

CRIMPING TOOL NO. 15500-20

FINISH: CURRENT CARRYING SURFACES .000050 (J)

GOLD (K)

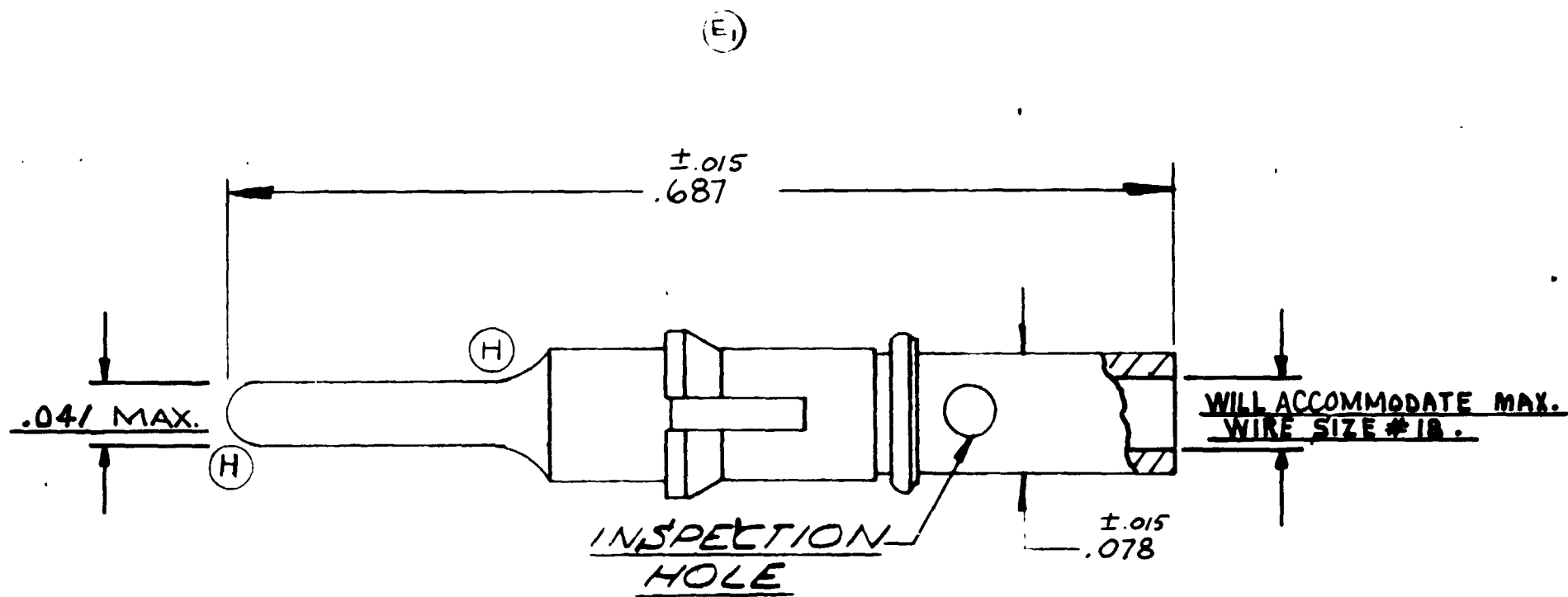
NOTES:

1 DE-BURR ALL SHARP EDGES

		TOLERANCES		THE DEUTSCH COMPANY		DRAWN	
		FRACTIONS ± .015 DECIMALS ± .005 ANGLES ± 1/2°		ELECTRONIC COMPONENTS DIVISION		Wm. E. H. [Signature]	
		UNLESS OTHERWISE SPECIFIED		MUNICIPAL AIRPORT, BANNING, CALIF.		CHECKED	
MATERIAL	LEADED COPPER	SPEC		CONTACT SYSTEM SIZE 20 (FOR 18-24 WIRE) ENVELOPE		F. H. [Signature] 3-2-61	
MATERIAL		SPEC				APPROVED	
MATERIAL		SPEC				W. H. [Signature]	
FORGING		SPEC	WT			DATE 3-2-61	
						SCALE	
						ECR-15663-2	

J.	REVISED PER E.O. A6440	AC	3-24-61
H	SEE SHEET 1 ECR 15663	DG	7-30-63
G	DEL. BY [Signature]	F	3-19-62
F	SEE SHT 1	SC	2-22-62
C	SEE SHT 1	BH	3-2-61
NO	CHANGE	BY	DATE

800-20/32-2



(E1) ALL INFORMATION NOT SHOWN IS CONSIDERED AS PROPRIETARY BY "DEUTSCH CO."

VOLTAGE RATING: EXCEEDS "1" RATING OF MIL-C-26482.

CURRENT: 7.5 AMPS MAX.

FINISH: CURRENT CARRYING SURFACES .000050 (J)

GOLD. (G)

NOTES:

1. DEBUR ALL SHARP EDGES

TOLERANCES		THE DEUTSCH COMPANY ELECTRONIC COMPONENTS DIVISION MUNICIPAL AIRPORT, BANNING, CALIF	NO.	CHANGE	BY	DATE
FRACTIONS ± .015	DECIMALS ± .005		ANGLES ± 1/2°	UNLESS OTHERWISE SPECIFIED		
MATERIAL	COPPER ALLOY	SPEC.	DRAWN	W. E. H. [Signature]		
MATERIAL		SPEC.	CHECKED	[Signature] 5-8-61		
MATERIAL		SPEC.	APPROVED	[Signature]		
FORGING		SPEC. WT.	DATE	5-5-61	SCALE	
			800-20/32-2			

J	REVISED PER E.O. 16440	AC	3-24-27
H	OFF SHEET 1. ECR 15663	DG	7-30-63
G	PER DWS 200 PER 13670	R.T.	3-19-63
F	SEE SHT 1	SC	2-22-62
E	SEE SHT. 1	LB	6-7-61
D	NEW RELEASE ECR 05579	V.	5-5-61

CONTACT ASSY PIN
SIZE 20
(FOR 18-24 WIRE)
ENVELOPE