

284798-1 ✓ ACTIVE

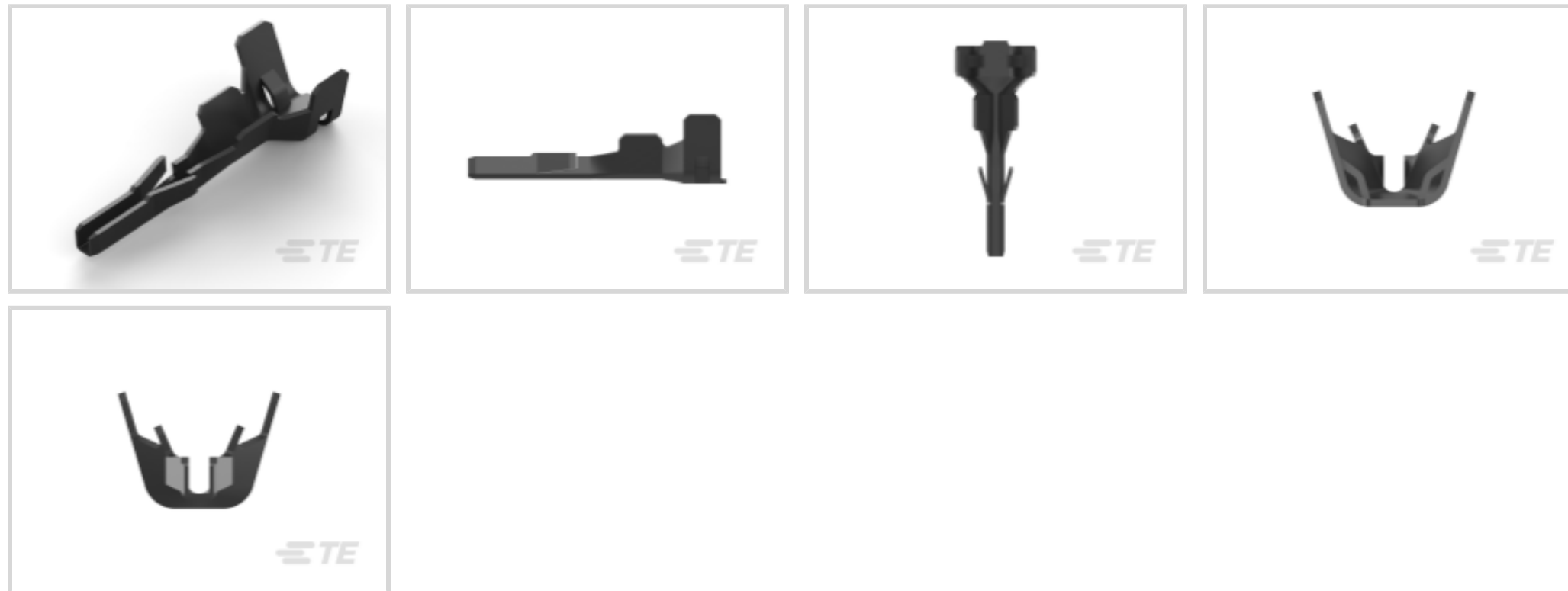
TE Internal #: 284798-1

Tab Contact, Tin, 20 – 15 AWG Wire Size, .5 – 1.5 mm<sup>2</sup> Wire Size,  
1021 – 3256 CMA Wire Size, Crimp, Brass, Power & Signal, -40 – 230  
°F [-40 – 110 °C]

[View on TE.com >](#)



Connectors > Contacts > Connector Contacts



Contact Type: **Tab**

Contact Mating Area Plating Material: **Tin**

Wire Size: **1021 – 3256 CMA**

## Features

### Contact Features

Mating Tab Width	1.5 mm[.059 in]
Mating Tab Thickness	1.6 mm[.062 in]
Contact Length	17.6 mm[.692 in]
Contact Type	Tab
Contact Mating Area Plating Material	Tin
Contact Base Material	Brass
Contact Current Rating (Max)	6 A

### Termination Features

Termination Method to Wire & Cable	Crimp
Product Terminates To	Wire & Cable

### Dimensions

Compatible Insulation Diameter Range	2.3 – 3.4 mm[.09 – .133 in]
Wire Size	1021 – 3256 CMA

### Usage Conditions

Operating Temperature Range	-40 – 110 °C[-40 – 230 °F]
-----------------------------	----------------------------

### Operation/Application



Circuit Application	Power & Signal
---------------------	----------------

**Packaging Features**

Packaging Quantity	3000
Packaging Method	Reel

**Product Compliance**

[For compliance documentation, visit the product page on TE.com>](#)

EU RoHS Directive 2011/65/EU	Compliant
EU ELV Directive 2000/53/EC	Compliant
China RoHS 2 Directive MIIT Order No 32, 2016	No Restricted Materials Above Threshold
EU REACH Regulation (EC) No. 1907/2006	Current ECHA Candidate List: JUNE 2023 (235) Candidate List Declared Against: JUNE 2023 (235) Does not contain REACH SVHC
Halogen Content	Low Halogen - Br, Cl, F, I < 900 ppm per homogenous material. Also BFR/CFR/PVC Free
Solder Process Capability	Hand solderable with lead free solder

Product Compliance Disclaimer

This information is provided based on reasonable inquiry of our suppliers and represents our current actual knowledge based on the information they provided. This information is subject to change. The part numbers that TE has identified as EU RoHS compliant have a maximum concentration of 0.1% by weight in homogenous materials for lead, hexavalent chromium, mercury, PBB, PBDE, DBP, BBP, DEHP, DIBP, and 0.01% for cadmium, or qualify for an exemption to these limits as defined in the Annexes of Directive 2011/65/EU (RoHS2). Finished electrical and electronic equipment products will be CE marked as required by Directive 2011/65/EU. Components may not be CE marked. Additionally, the part numbers that TE has identified as EU ELV compliant have a maximum concentration of 0.1% by weight in homogenous materials for lead, hexavalent chromium, and mercury, and 0.01% for cadmium, or qualify for an exemption to these limits as defined in the Annexes of Directive 2000/53/EC (ELV). Regarding the REACH Regulation, the information TE provides on SVHC in articles for this part number is based on the latest European Chemicals Agency (ECHA) 'Guidance on requirements for substances in articles' posted at this URL: <https://echa.europa.eu/guidance-documents/guidance-on-reach>

**Compatible Parts**

TE Part # 2266173-1  
OCEAN\_2.0\_Applicator-S-090F200F

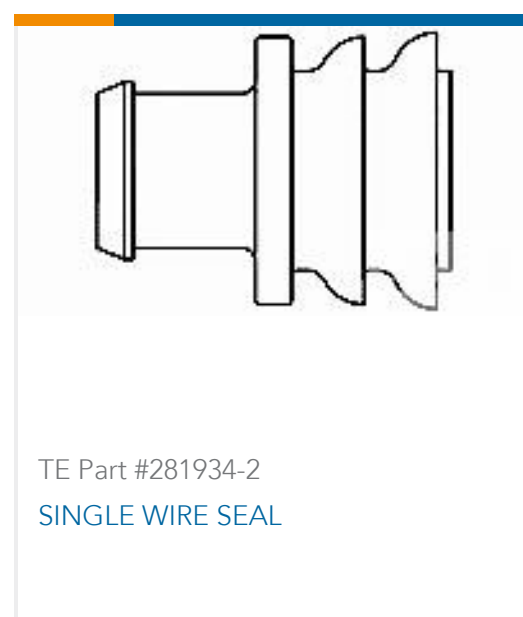
TE Part # 2266173-2  
OCEAN\_2.0\_Applicator-S-090F200F

TE Part # 2305570-1  
Strip Terminal Cutter-Side Feed-No Crimp

TE Part # 293230-1  
RAST2.5 W2W Crimp-IDC 4pos Motor Mnt



## Customers Also Bought



## Documents

### Product Drawings

CRIMPED TAB CONTACT, P.C.B. INTERFACE

### CAD Files

Customer View Model

[ENG\\_CVM\\_CVM\\_284798-1\\_A.2d\\_dxf.zip](#)

English

3D PDF

3D

Customer View Model

[ENG\\_CVM\\_CVM\\_284798-1\\_A.3d\\_igs.zip](#)

English

Customer View Model

[ENG\\_CVM\\_CVM\\_284798-1\\_A.3d\\_stp.zip](#)

English

By downloading the CAD file I accept and agree to the [Terms and Conditions](#) of use.



[Product Specifications](#)

[Application Specification](#)

English