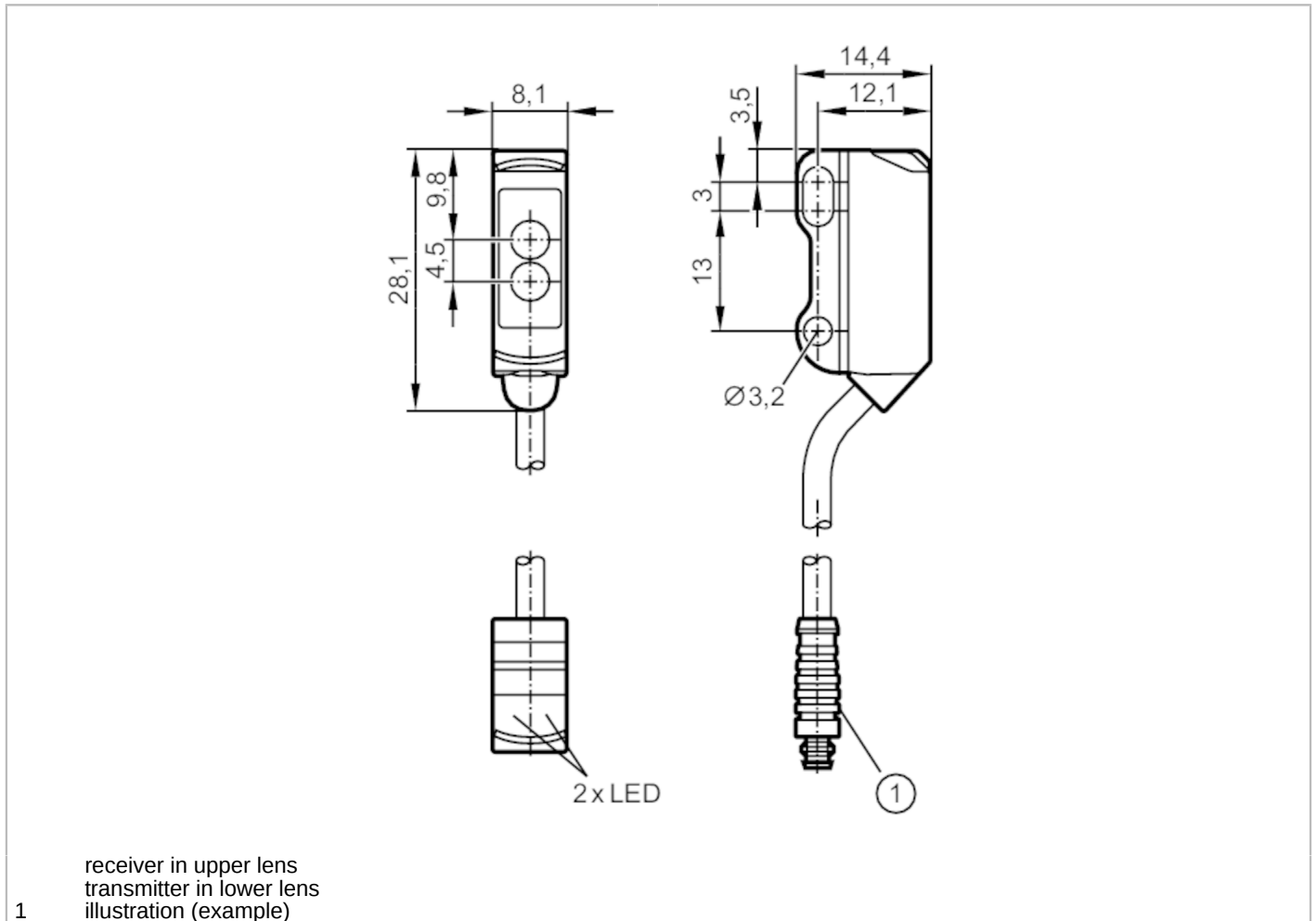




## Diffuse reflection sensor

O8T-FPKG/IO-Link/0,30M/AS/3P



Product characteristics	
Type of light	red light
Housing	rectangular
Application	
Function principle	Diffuse reflection sensor
Electrical data	
Operating voltage [V]	10...30 DC
Current consumption [mA]	20; ((24 V))
Protection class	III
Reverse polarity protection	yes
Type of light	red light
Wave length [nm]	633
Outputs	
Electrical design	PNP
Output function	light-on mode
Max. voltage drop switching output DC [V]	2.5



## Diffuse reflection sensor

O8T-FPKG/IO-Link/0,30M/AS/3P

Permanent current rating of switching output DC	[mA]	100
Switching frequency DC	[Hz]	1000
Short-circuit protection		yes
Type of short-circuit protection		pulsed

## Detection zone

Range	[mm]	0...180; (white paper 200 x 200 mm)
Max. light spot diameter	[mm]	18
Light spot dimensions refer to		at maximum range

## Interfaces

Communication interface		IO-Link
Transmission type		COM2 (38,4 kBaud)
IO-Link revision		1.1
SDCI standard		IEC 61131-9
Profiles		Smart Sensor: Device Identification; Device Diagnosis; Teach Channel; Switching Channel
SIO mode		yes
Required master port type		A
Min. process cycle time	[ms]	2.5
IO-Link process data (cyclical)	<b>function</b>	<b>bit length</b>
	process value	8
	device status	4
	binary switching information	1
IO-Link functions (acyclical)		application specific tag; operating hours counter; switching cycles counter
Supported DeviceIDs	<b>Type of operation</b>	<b>DeviceID</b>
	Default	788

## Operating conditions

Ambient temperature	[°C]	-25...60
Protection		IP 65; IP 67

## Tests / approvals

EMC		EN 60947-5-2
MTTF	[years]	1067

## Mechanical data

Weight	[g]	21.2
Housing		rectangular
Dimensions	[mm]	28.1 x 8.1 x 14.4
Materials		housing: ABS; stainless steel (1.4404 / 316L)
Lens material		PMMA
Lens alignment		side lens

## Displays / operating elements

Display	switching status	1 x LED, yellow
	operation	1 x LED, green

## Remarks

Pack quantity		1 pcs.
---------------	--	--------

## Diffuse reflection sensor

O8T-FPKG/IO-Link/0,30M/AS/3P

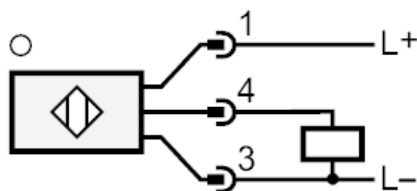
### Electrical connection

Cable: 0.3 m, PVC, black,  $\varnothing$  2.9 mm; 3 x 0.08 mm<sup>2</sup>

Connector: 1 x M8; coding: A

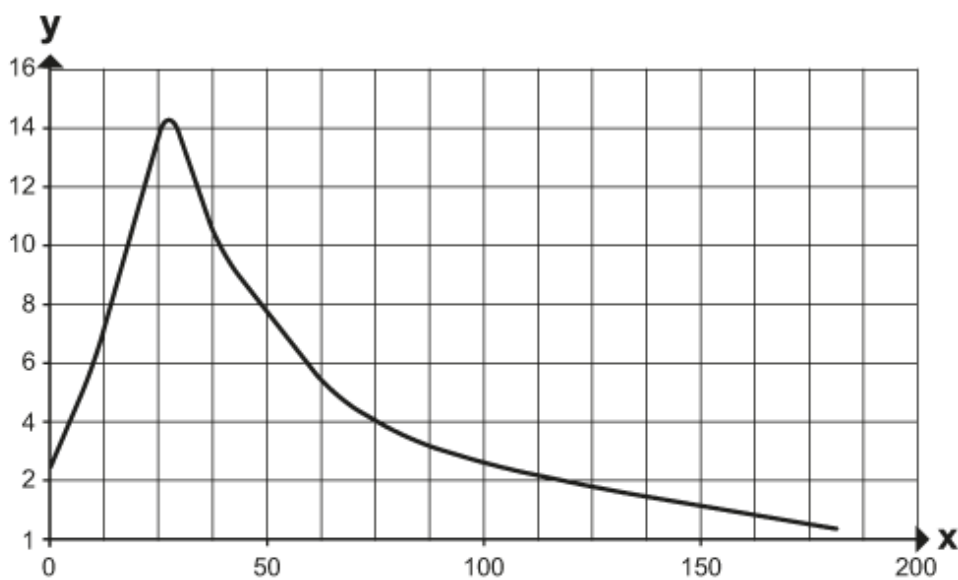


### Connection



### Diagrams and graphs

excess gain graph



x: distance [mm]

y: excess gain factor