



SL-156

TE Internal #: 1-640251-7

Housing, Receptacle, Wire-to-Board, 17 Position, .156 in [3.96 mm]

Centerline, Crimp, 1 Row, Natural, Wire & Cable, Power & Signal,

SL-156

[View on TE.com >](#)

Connectors > PCB Connectors > Wire-to-Board Connectors > Wire-to-Board Connector Assemblies & Housings >

Receptacle Housing: Wire-to-Board, no Mating Alignment, SL 156



Connector Product Type: **Housing**

Connector & Housing Type: **Receptacle**

Connector System: **Wire-to-Board**

Number of Positions: **17**

Centerline (Pitch): **3.96 mm [.156 in]**

[All Receptacle Housing: Wire-to-Board, no Mating Alignment, SL 156 \(27\)](#)

Features

Product Type Features

Connector Product Type	Housing
Connector & Housing Type	Receptacle
Connector System	Wire-to-Board
Sealable	No
Connector & Contact Terminates To	Wire & Cable

Configuration Features

Number of Positions	17
Number of Rows	1

Electrical Characteristics

Operating Voltage	250 VAC
-------------------	---------

Body Features

--	--



Primary Product Color	Natural
-----------------------	---------

Contact Features

Contact Retention Within Housing	Without
Contact Layout	Inline
Contact Type	Socket
Contact Current Rating (Max)	6.5 A

Termination Features

Termination Method to Wire & Cable	Crimp
------------------------------------	-------

Mechanical Attachment

Strain Relief	Without
PCB Mount Alignment	Without
Panel Mount Feature	Without
PCB Mount Retention	Without
Mating Retention	Without
Connector Mounting Type	Cable Mount (Free-Hanging)

Housing Features

Housing Entry Configuration	Left End Open
Housing Material	Nylon - GF
Centerline (Pitch)	3.96 mm [.156 in]

Dimensions

	2.652 in
Connector Height	6.35 mm
Wire Size	.0509 – .823 mm ²

Usage Conditions

Operating Temperature Range	-55 – 105 °C [-67 – 221 °F]
-----------------------------	-----------------------------

Operation/Application

Circuit Application	Power & Signal
---------------------	----------------

Industry Standards

Compatible With Agency/Standards Products	CSA, UL
UL Flammability Rating	UL 94V-0

Packaging Features



Packaging Quantity	1
Packaging Method	Package

Product Compliance

[For compliance documentation, visit the product page on TE.com>](#)

EU RoHS Directive 2011/65/EU	Compliant
EU ELV Directive 2000/53/EC	Compliant
China RoHS 2 Directive MIIT Order No 32, 2016	No Restricted Materials Above Threshold
EU REACH Regulation (EC) No. 1907/2006	Current ECHA Candidate List: JUNE 2023 (235) Candidate List Declared Against: JUNE 2023 (235) Does not contain REACH SVHC
Halogen Content	Low Halogen - Br, Cl, F, I < 900 ppm per homogenous material. Also BFR/CFR/PVC Free
Solder Process Capability	Not applicable for solder process capability

Product Compliance Disclaimer

This information is provided based on reasonable inquiry of our suppliers and represents our current actual knowledge based on the information they provided. This information is subject to change. The part numbers that TE has identified as EU RoHS compliant have a maximum concentration of 0.1% by weight in homogenous materials for lead, hexavalent chromium, mercury, PBB, PBDE, DBP, BBP, DEHP, DIBP, and 0.01% for cadmium, or qualify for an exemption to these limits as defined in the Annexes of Directive 2011/65/EU (RoHS2). Finished electrical and electronic equipment products will be CE marked as required by Directive 2011/65/EU. Components may not be CE marked. Additionally, the part numbers that TE has identified as EU ELV compliant have a maximum concentration of 0.1% by weight in homogenous materials for lead, hexavalent chromium, and mercury, and 0.01% for cadmium, or qualify for an exemption to these limits as defined in the Annexes of Directive 2000/53/EC (ELV). Regarding the REACH Regulation, the information TE provides on SVHC in articles for this part number is based on the latest European Chemicals Agency (ECHA) 'Guidance on requirements for substances in articles' posted at this URL: <https://echa.europa.eu/guidance-documents/guidance-on-reach>

Compatible Parts

 <p>TE Part # 1-640445-7 17P MTA156 HDR ASSY FL/STR SN</p>	 <p>TE Part # 1-644752-7 17P MTA156 HDR ASSY SQ STR F/L</p>	 <p>TE Part # 1-770996-3 13P SL 156 HSG W/TABS W/O LR</p>	 <p>TE Part # 1-640389-7 17P MTA156 HDR ASSY SQ R/A F/L</p>
---	--	--	--




TE Part # CAT-103156-WBHSN
Receptacle Housing: Wire-to-Board, no Mating Alignment, SL 156



TE Part # 1-640383-7
17P MTA156 HDR ASSY STR SQ SN



TE Part # 1-643067-7
17P MTA156 MOLDED COVER



TE Part # 1-640551-7
17P MTA156 COVER



TE Part # 4-641208-7
17P MTA156 HDR ASSY FL ST LF



TE Part # 1-640385-7
17P MTA156 HDR ASSY SQ R/A



TE Part # 1-640387-7
17P MTA156 HDR ASSY SQ R/A



TE Part # 1-640388-7
17P MTA156 HDR ASSY RN STR F/L



TE Part # 1-640643-7
17P MTA156 COVER F/T



TE Part # 1-643071-7
17P MTA156 FD-THRU COVER



TE Part # 1-644751-7
17P MTA156 HDR ASSY R/A



TE Part # 1-644753-7
17P MTA156 HDR ASSY RN STR F/L



TE Part # 4-641119-7
17P MTA156 HDR ASSY FL/ST LF



TE Part # 4-641120-7
17P MTA156 HDR ASSY FL/ST LF

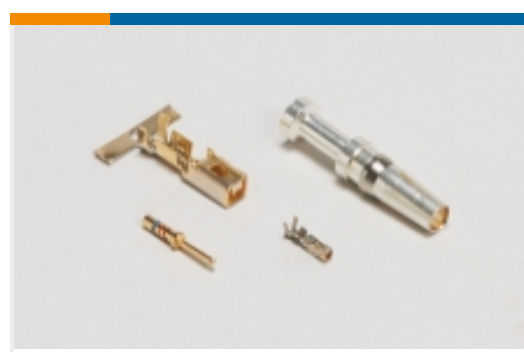


TE Part # 4-641207-7
17P MTA156 HDR ASSY FL RA LF



TE Part # 4-641209-7
17P MTA156 HDR ASSY FL ST LF


Also in the Series | **SL-156**




Connector Contacts(23)



Connector Hardware(4)



Insertion & Extraction Tools(1)



Rectangular Connector Housings(10)



Wire-to-Board Connector Assemblies & Housings(140)

Customers Also Bought



TE Part #DT04-2P
REC, 2P, GRY, N



TE Part #DT06-2S
PLG, 2P, GRY, N



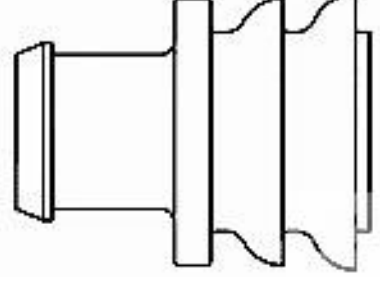
TE Part #W2S
Wedgelocks: DEUTSCH DT



TE Part #0460-202-16141
DEUTSCH Solid Contacts



TE Part #282104-1
AMP SUPERSEAL 1.5MM,
CONNECTOR HOUSING



TE Part #281934-2
SINGLE WIRE SEAL



TE Part #114017-ZZ
SEALING PLUG, SIZE 12/16, WHT

Documents

CAD Files

3D PDF

3D

Customer View Model

[ENG_CVM_CVM_1-640251-7_AL_c-1-640251-7-al.2d_dxf.zip](#)

English

Customer View Model

[ENG_CVM_CVM_1-640251-7_AL_c-1-640251-7-al.3d_igs.zip](#)

English

Customer View Model

[ENG_CVM_CVM_1-640251-7_AL_c-1-640251-7-al.3d_stp.zip](#)

English

By downloading the CAD file I accept and agree to the [Terms and Conditions](#) of use.

Product Specifications

[Application Specification](#)

English

1-640251-7

Housing, Receptacle, Wire-to-Board, 17 Position, .156 in [3.96 mm] Centerline, Crimp,
1 Row, Natural, Wire & Cable, Power & Signal, SL-156



[Agency Approvals](#)

[UL Report](#)

English