

THIS DRAWING CONTAINS INFORMATION THAT IS PROPRIETARY TO MOLEX ELECTRONIC TECHNOLOGIES, LLC AND SHOULD NOT BE USED WITHOUT WRITTEN PERMISSION									
DIMENSION UNITS IN/MM		SCALE 2:1		CURRENT REV DESC: REMOVED OBSOLETE PARTS AS PER PCN 511086					
GENERAL TOLERANCES (UNLESS SPECIFIED)				EC NO: 699022		2022/03/09		molex	
4 PLACES ±		±		DRWN: RPRABHUM		2022/03/23			
3 PLACES ±		± 0.01		CHK'D: GGA		2022/03/23		.093/(2.36) HOUSINGS PLUG AND RECEPTACLE 12 CKT, .198/(5.03)CTR.	
2 PLACES ±		± 0.014		APPR: GGA		2022/03/23			
1 PLACE ±		±		INITIAL REVISION:		1989/01/03		PRODUCT CUSTOMER DRAWING	
0 PLACES ±		±		DRWN: KBW		2014/11/13		DOCUMENT NUMBER	
ANGULAR TOL ± 2.0 °		THIRD ANGLE PROJECTION		APPR: FSMITH		DRAWING		DOC TYPE	
DRAFT WHERE APPLICABLE MUST REMAIN WITHIN DIMENSIONS		DRAWING		SERIES		MATERIAL NUMBER		DOC PART	
		C-SIZE		1360		CUSTOMER		REVISION	
						GENERAL MARKET		PSD 001 AE3	
						SEE CHART		SHEET NUMBER	
								1 OF 2	

PLUG	
ORDER NO	ENG NO
03-09-2121	I360-P

RECEPTACLE	
ORDER NO	ENG NO
03-09-1121	I360-R ⁶
03-09-1125	I360-R2 ⁶
03-09-1126	I360-R3
03-09-6121	I360-RBK
03-09-6125	I360-R2BK
03-09-6126	I360-R3BK

LEGEND: PLUG

P = PLUG I360-P***

BLANK = WITHOUT EARS
I = WITH MOUNTING EARS

COLOR: _____

BLANK = NATURAL COLOR
AM = AMBER BK = BLACK BU = BLUE
BN = BROWN GY = GRAY GN = GREEN
OR = ORANGE RD = RED YW = YELLOW

LEGEND: RECEPTACLE

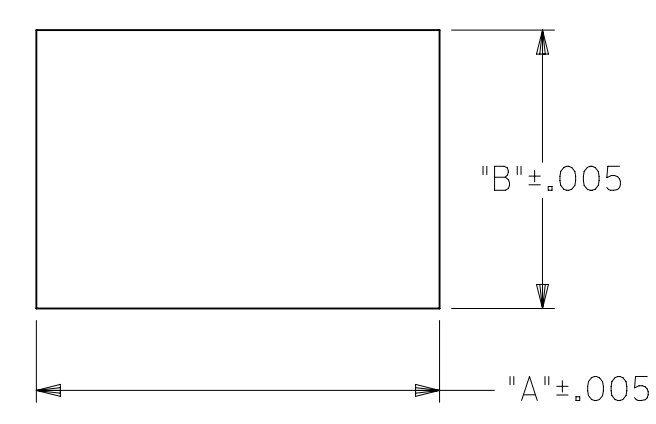
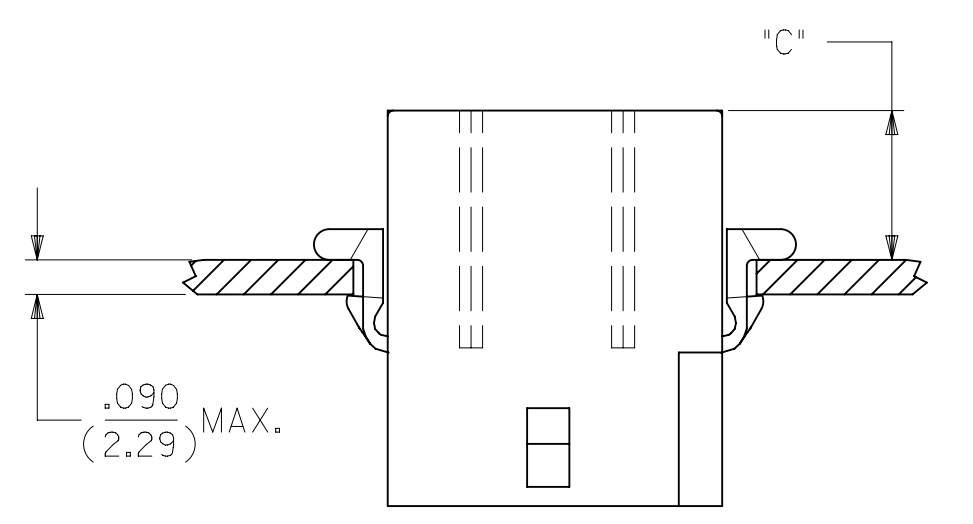
R = RECEPTACLE I360-R***

OPTION	PREBENT EARS	LOCKING RAMP
BLANK	X	
1		
2	X	X
3		X

X = PRESENT

COLOR: _____

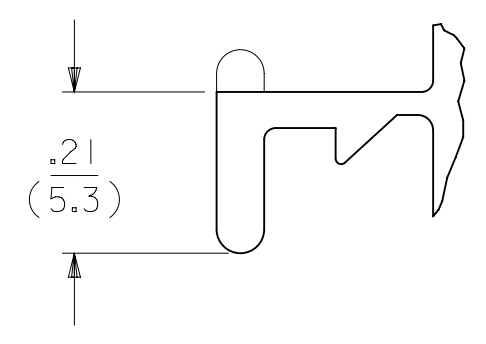
BLANK = NATURAL COLOR
AM = AMBER BK = BLACK BU = BLUE
BN = BROWN GY = GRAY GN = GREEN
OR = ORANGE RD = RED YW = YELLOW



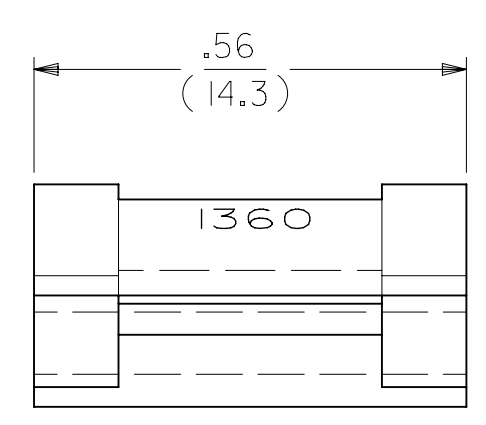
RECOMMENDED PANEL OPENING

HOUSING	DIM. "A"	DIM. "B"	"C" PREBENT EAR	"C" STANDARD EAR
PLUG	1.155/(29.34)	.760/(19.30)	.40/(10.2)	.36/(9.1)
RECEPT.	1.050/(26.67)	.725/(18.42)	.41/(10.4)	.37/(9.4)

- NOTES:**
- MATERIAL: NYLON TYPE 6/6, UL94V-2
 - FINISH: N/A
 - PRODUCT SPECIFICATION: PS-02-09, PS-43660-9999
 - PACKAGING SPECIFICATION: PK-1360-001
 - ⁵ CIRCUIT I.D. NUMBERS ON SIDE OF HOUSING APPEAR ON PARTS FROM TOOLS BUILT AFTER 10/22/91
 - ⁶ WHERE DENOTED IN CHART, TOOLS ARE BUILT WITH PREBENT MOUNTING EARS PER DETAIL B AND SUPERSEDE ALL TOOLS PREVIOUSLY BUILT WITH THE STANDARD EARS.
 - PARTS CONFORM TO CLASS B REQUIREMENTS OF COSMETIC SPECIFICATION PS-45499-002.



DETAIL A
.093/(2.36) STANDARD MOUNTING EAR
(SCALE 4:1)



DETAIL B
.093/(2.36)PREBENT MOUNTING EAR
(SCALE 4:1)

THIS DRAWING CONTAINS INFORMATION THAT IS PROPRIETARY TO MOLEX ELECTRONIC TECHNOLOGIES, LLC AND SHOULD NOT BE USED WITHOUT WRITTEN PERMISSION													
DIMENSION UNITS IN/MM		SCALE 2:1		CURRENT REV DESC: REMOVED OBSOLETE PARTS AS PER PCN 511086				molex .093/(2.36) HOUSINGS PLUG AND RECEPTACLE 12 CKT, .198/(5.03)CTR.					
GENERAL TOLERANCES (UNLESS SPECIFIED)				EC NO: 699022									
4 PLACES ±		±		DRWN: RPRABHUM 2022/03/09				PRODUCT CUSTOMER DRAWING					
3 PLACES ±		± 0.01		CHK'D: GGA 2022/03/23									
2 PLACES ±		0.25 ± 0.014		APPR: GGA 2022/03/23				DOCUMENT NUMBER SD-1360-X					
1 PLACE ±		0.35 ±		INITIAL REVISION:									
0 PLACES ±		±		DRWN: KBW 1989/01/03				DOC TYPE PSD		DOC PART 001		REVISION AE3	
ANGULAR TOL ± 2.0 °				APPR: FSMITH 2014/11/13				MATERIAL NUMBER SEE CHART		CUSTOMER GENERAL MARKET		SHEET NUMBER 2 OF 2	
DRAFT WHERE APPLICABLE MUST REMAIN WITHIN DIMENSIONS		THIRD ANGLE PROJECTION		DRAWING C-SIZE		SERIES 1360							