



VAL-U-LOK

TE Internal #: 2029180-4

Rectangular Connector Housings, Wire-to-Wire, 4 Position, .165 in [4.2 mm] Centerline, 1 Row, Nylon 6, Plug, Pin, Wire & Cable, Power

[View on TE.com >](#)

Connectors > Rectangular Connectors > Rectangular Connector Housings



Connector System: **Wire-to-Wire**

Number of Positions: **4**

Centerline (Pitch): **4.2 mm [ .165 in ]**

Number of Rows: **1**

Housing Material: **Nylon 6**

**Features**

**Product Type Features**

Connector System	Wire-to-Wire
Connector & Housing Type	Plug
Sealable	No
Connector & Contact Terminates To	Wire & Cable

**Configuration Features**

Insertion Force	15 Newton
Compatible With Wire & Cable Type	Discrete Wire
Number of Signal Positions	4
Number of Positions	4
Number of Rows	1

**Electrical Characteristics**

Operating Voltage	600 VAC
-------------------	---------

**Contact Features**

Contact Type	Pin
--------------	-----



### Mechanical Attachment

Connector Mounting Type	Cable Mount (Free-Hanging)
-------------------------	----------------------------

### Housing Features

Housing Color	White
Centerline (Pitch)	4.2 mm [.165 in]
Housing Material	Nylon 6

### Dimensions

Connector Height	7.4 mm [.291 in]
Product Width	18 mm [.709 in]
Product Length	23.8 mm [.937 in]

### Usage Conditions

Operating Temperature Range	-40 – 105 °C [-40 – 221 °F]
-----------------------------	-----------------------------

### Operation/Application

Circuit Application	Power
---------------------	-------

### Identification Marking

Circuit Identification Feature	With
--------------------------------	------

### Industry Standards

CSA Rating	208567
Glow Wire Rating	Glow Wire
Compatible With Agency/Standards Products	CSA, UL
Compatible With Approved Standards Products	UL E28476
UL Flammability Rating	UL 94V-2

### Packaging Features

Packaging Quantity	1000
Packaging Method	Bag

### Product Compliance

[For compliance documentation, visit the product page on TE.com>](#)

EU RoHS Directive 2011/65/EU	Compliant
EU ELV Directive 2000/53/EC	Compliant
China RoHS 2 Directive MIIT Order No 32, 2016	No Restricted Materials Above Threshold
EU REACH Regulation (EC) No. 1907/2006	



Current ECHA Candidate List: JUNE 2023 (235)  
 Candidate List Declared Against: JUNE 2023 (235)  
 Does not contain REACH SVHC

Halogen Content Not Low Halogen - contains Br or Cl > 900 ppm.

Solder Process Capability Not applicable for solder process capability

Product Compliance Disclaimer

This information is provided based on reasonable inquiry of our suppliers and represents our current actual knowledge based on the information they provided. This information is subject to change. The part numbers that TE has identified as EU RoHS compliant have a maximum concentration of 0.1% by weight in homogenous materials for lead, hexavalent chromium, mercury, PBB, PBDE, DBP, BBP, DEHP, DIBP, and 0.01% for cadmium, or qualify for an exemption to these limits as defined in the Annexes of Directive 2011/65/EU (RoHS2). Finished electrical and electronic equipment products will be CE marked as required by Directive 2011/65/EU. Components may not be CE marked. Additionally, the part numbers that TE has identified as EU ELV compliant have a maximum concentration of 0.1% by weight in homogenous materials for lead, hexavalent chromium, and mercury, and 0.01% for cadmium, or qualify for an exemption to these limits as defined in the Annexes of Directive 2000/53/EC (ELV). Regarding the REACH Regulation, the information TE provides on SVHC in articles for this part number is based on the latest European Chemicals Agency (ECHA) 'Guidance on requirements for substances in articles' posted at this URL: <https://echa.europa.eu/guidance-documents/guidance-on-reach>

### Compatible Parts

TE Part # 2029178-4  
4P SR RCPT VAL-U-LOK GW

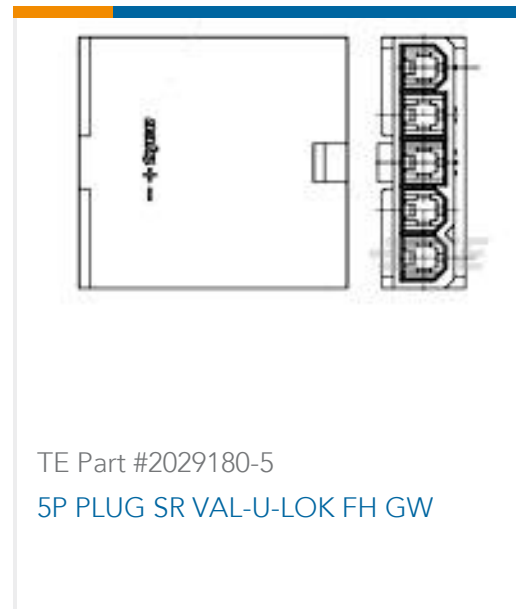
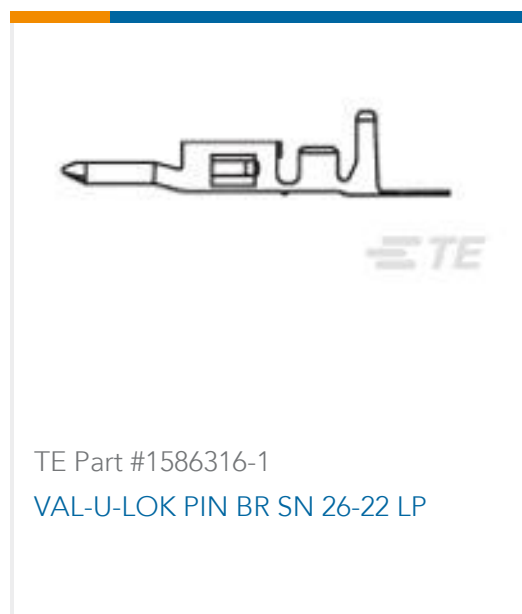
TE Part # 2029113-4  
4P VAL-U-LOK VRTHDR W/PGS GW

TE Part # 2029154-4  
4P R/A HDR VAL-U-LOK GW W/P

TE Part # 2029181-4  
4P VAL-U-LOK VRTHDR W/PGS GW

TE Part # 2348036-4  
4P SR RCPT VAL-U-LOK GW V0

### Customers Also Bought



## Documents

### Product Drawings

#### 4P PLUG SR VAL-U-LOK FH GW

English

### CAD Files

#### Customer View Model

[ENG\\_CVM\\_2029180-4\\_A.3d\\_igs.zip](#)

English

#### Customer View Model

[ENG\\_CVM\\_2029180-4\\_A.3d\\_stp.zip](#)

English

#### Customer View Model

[ENG\\_CVM\\_2029180-4\\_A.2d\\_dxf.zip](#)

English

### 3D PDF

English

By downloading the CAD file I accept and agree to the [Terms and Conditions](#) of use.

### Datasheets & Catalog Pages

#### VAL-U-LOK\_GLOW\_WIRE\_CONNECTORS

English

### Product Specifications

#### Application Specification

English

### Instruction Sheets

#### Instruction Sheet (U.S.)



English

---

[Agency Approvals](#)

[UL Report](#)

English