

3-1123722-6 ✓ ACTIVE

Economy Power

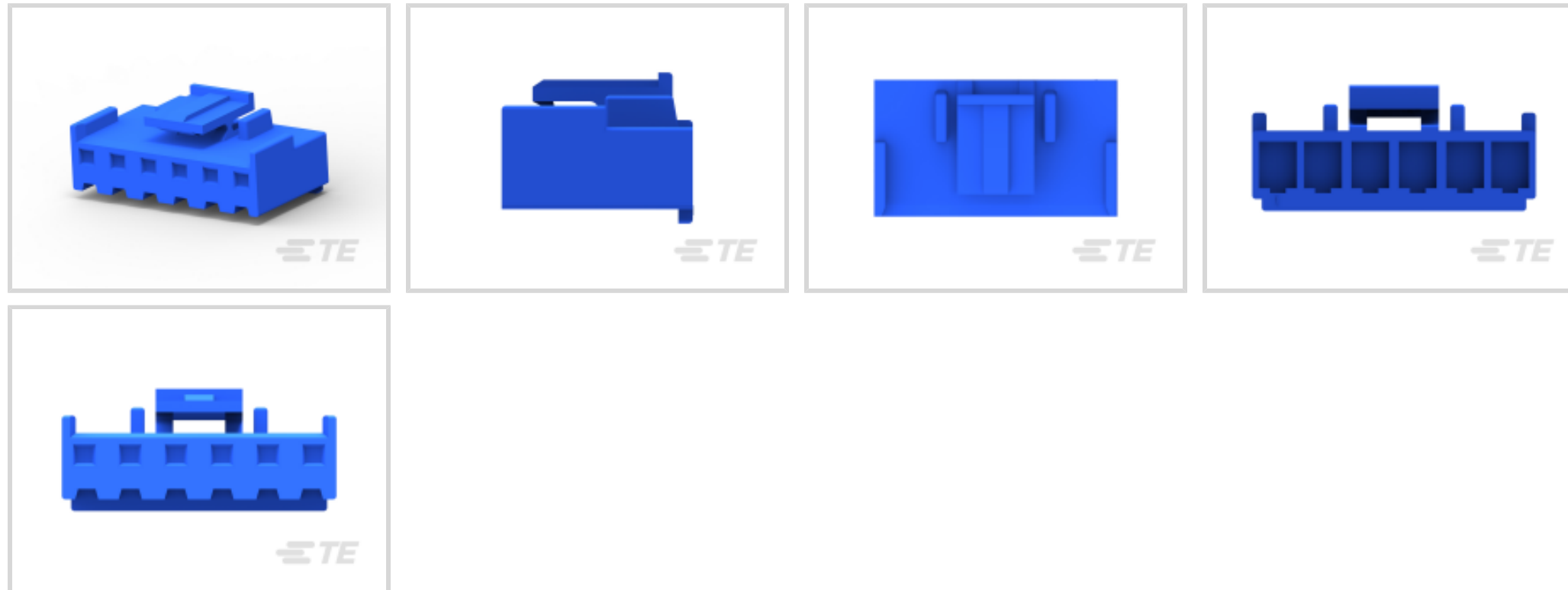
TE Internal #: 3-1123722-6

Rectangular Power Connectors, Housing, Plug, Wire-to-Board, 6
Position, 3.96 mm [.156 in] Centerline, Wire & Cable, Economy
Power

[View on TE.com >](#)



Connectors > Power Connectors > Rectangular Power > Rectangular Power Connectors



Rectangular Power Connector Type: **Housing**

Connector & Housing Type: **Plug**

Connector System: **Wire-to-Board**

Number of Positions: **6**

Centerline (Pitch): **3.96 mm [.156 in]**

Features

Product Type Features

Rectangular Power Connector Type	Housing
Connector & Housing Type	Plug
Connector System	Wire-to-Board
Sealable	No
Connector & Contact Terminates To	Wire & Cable

Configuration Features

Number of Positions	6
Number of Rows	1

Electrical Characteristics

Insulation Resistance	1000 M Ω
Operating Voltage	250 VDC

Contact Features

Contact Layout	Inline
Contact Current Rating (Max)	8 A



Contact Retention Within Housing	Without
Contact Type	Receptacle

Termination Features

Termination Method to Wire & Cable	Crimp
------------------------------------	-------

Mechanical Attachment

Strain Relief	Without
Mating Retention	With
Mating Alignment	Without
Mating Retention Type	Latch, Locking Latch
Connector Mounting Type	Board Mount

Housing Features

Centerline (Pitch)	3.96 mm [.156 in]
Housing Color	Blue
Housing Material	Nylon 66

Dimensions

Connector Height	10.5 mm [.413 in]
Product Width	13.3 mm [.524 in]
Product Length	23.7 mm [.933 in]
Compatible Insulation Diameter Range	1.7 – 3 mm [.067 – .118 in]

Usage Conditions

Operating Temperature Range	-25 – 105 °C [-13 – 221 °F]
-----------------------------	-----------------------------

Operation/Application

Circuit Application	Power & Signal
---------------------	----------------

Industry Standards

Glow Wire Rating	Standard Part - Not Glow Wire
------------------	-------------------------------

Packaging Features

Packaging Quantity	1200
Packaging Method	Bag

Product Compliance

[For compliance documentation, visit the product page on TE.com>](#)






EU RoHS Directive 2011/65/EU	Compliant
EU ELV Directive 2000/53/EC	Compliant
China RoHS 2 Directive MIIT Order No 32, 2016	No Restricted Materials Above Threshold
EU REACH Regulation (EC) No. 1907/2006	Current ECHA Candidate List: JUNE 2023 (235) Candidate List Declared Against: JAN 2021 (211) Does not contain REACH SVHC
Halogen Content	Low Halogen - Br, Cl, F, I < 900 ppm per homogenous material. Also BFR/CFR/PVC Free
Solder Process Capability	Not applicable for solder process capability

Product Compliance Disclaimer

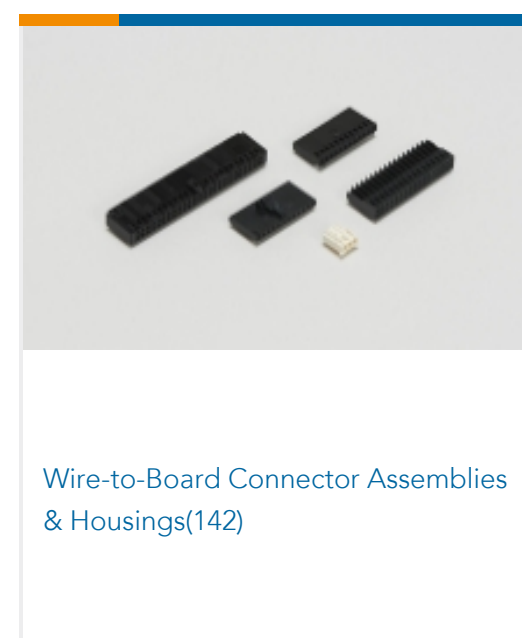
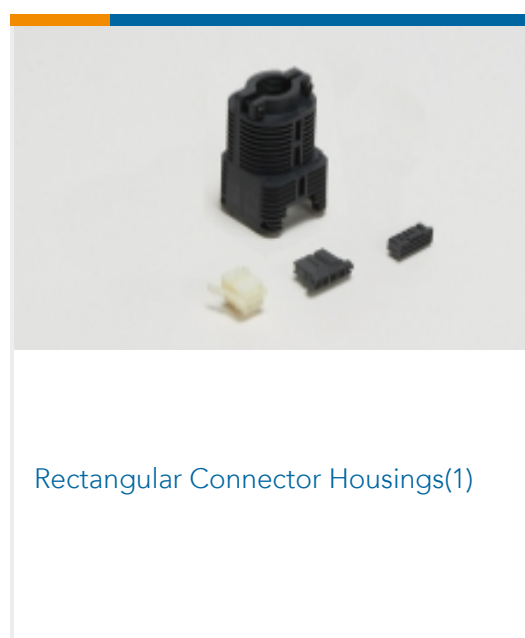
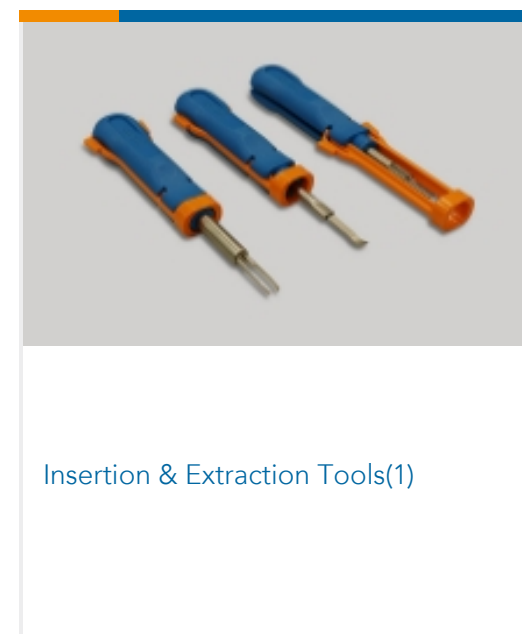
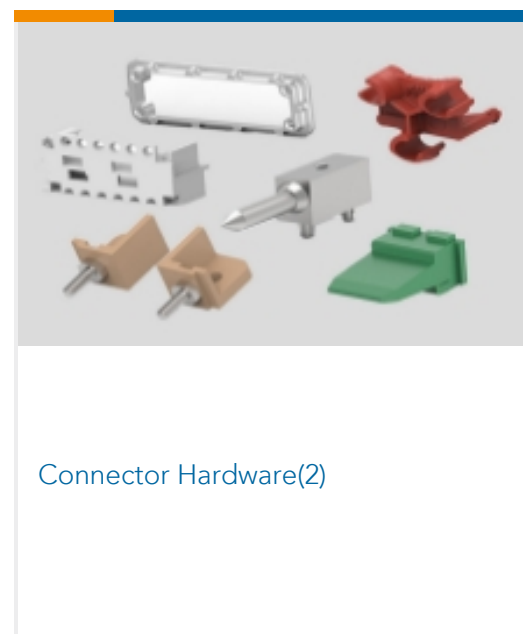
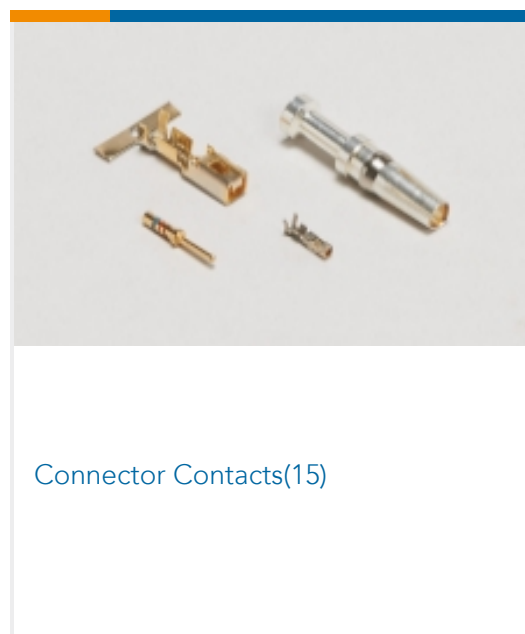
This information is provided based on reasonable inquiry of our suppliers and represents our current actual knowledge based on the information they provided. This information is subject to change. The part numbers that TE has identified as EU RoHS compliant have a maximum concentration of 0.1% by weight in homogenous materials for lead, hexavalent chromium, mercury, PBB, PBDE, DBP, BBP, DEHP, DIBP, and 0.01% for cadmium, or qualify for an exemption to these limits as defined in the Annexes of Directive 2011/65/EU (RoHS2). Finished electrical and electronic equipment products will be CE marked as required by Directive 2011/65/EU. Components may not be CE marked. Additionally, the part numbers that TE has identified as EU ELV compliant have a maximum concentration of 0.1% by weight in homogenous materials for lead, hexavalent chromium, and mercury, and 0.01% for cadmium, or qualify for an exemption to these limits as defined in the Annexes of Directive 2000/53/EC (ELV). Regarding the REACH Regulation, the information TE provides on SVHC in articles for this part number is based on the latest European Chemicals Agency (ECHA) 'Guidance on requirements for substances in articles' posted at this URL: <https://echa.europa.eu/guidance-documents/guidance-on-reach>

Compatible Parts

 <p>TE Part # 1318912-1 EP CONN LP REC</p>	 <p>TE Part # 1744416-6 6 POS EP II HSG, GLOW WIRE</p>	 <p>TE Part # 2-1744036-6 06P ECONOMY POWER .200 CL HSG</p>	 <p>TE Part # 1123721-2 ECONOMY POWER CONN REC CONT</p>
 <p>TE Part # 3-1123723-6 3.96 EP HDR ASSY 6P(BLUE)</p>	 <p>TE Part # 1123721-1 EP CONN. REC CONTACT</p>	 <p>TE Part # 1-1473978-6 EP CONN HDR ASSY 6/9P SPECIAL</p>	 <p>TE Part # 1-1565037-6 EP CONN HDR ASSY 6/9P SPECIAL</p>



Also in the Series | Economy Power

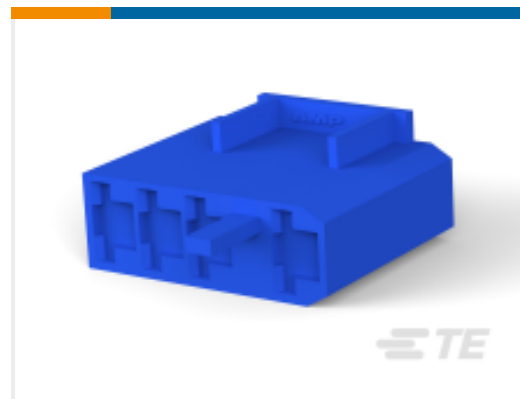


Customers Also Bought

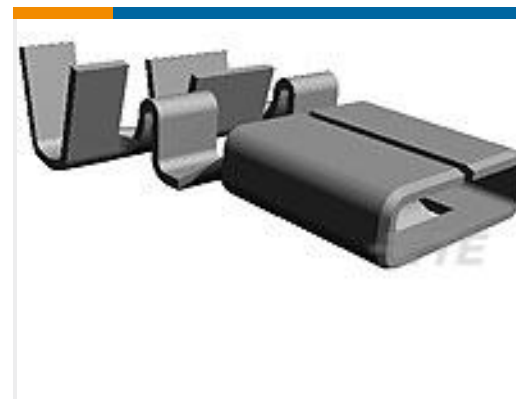




TE Part #1969755-1
CLIP, HEAVY DUTY BURNER
CONNECTOR



TE Part #2-521498-7
250 FASTON HSG.,REC.,4 POS,BLUE



TE Part #1544113-1
CLIP DRAPEAU 6,35



TE Part #1544504-1
CLIP 6,3 SECU 1-3

Documents

Product Drawings

3.96 EP PLUG HSG 6P(BLUE)

English

CAD Files

3D PDF

3D

Customer View Model

[ENG_CVM_CVM_3-1123722-6_N.2d_dxf.zip](#)

English

Customer View Model

[ENG_CVM_CVM_3-1123722-6_N.3d_igs.zip](#)

English

Customer View Model

[ENG_CVM_CVM_3-1123722-6_N.3d_stp.zip](#)

English

By downloading the CAD file I accept and agree to the [Terms and Conditions](#) of use.

Datasheets & Catalog Pages

1-1773885-9 Economy Power Connectors

English

Product Specifications

Application Specification

English

Instruction Sheets

Instruction Sheet (non U.S.)

Japanese

Economy Power (EP) Connector

Japanese