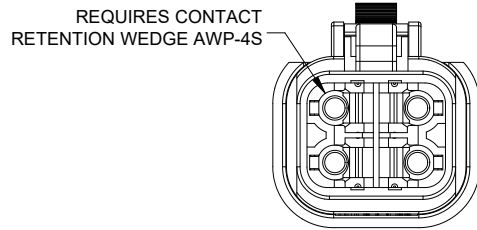
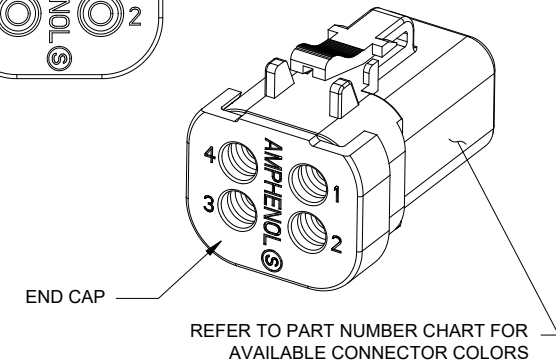
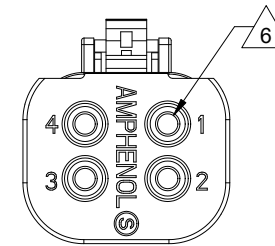
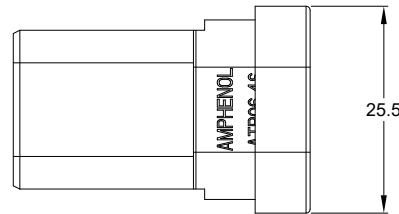
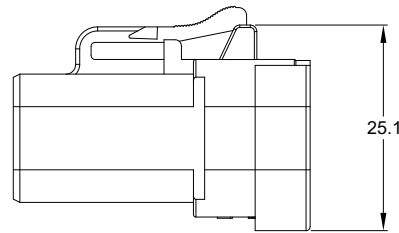
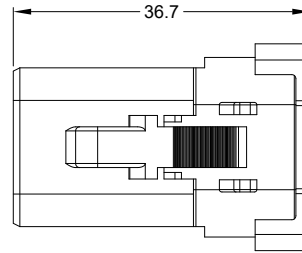


| REVISIONS |     |                        |           |        |       |
|-----------|-----|------------------------|-----------|--------|-------|
| REV       | ECO | DESCRIPTION            | DATE      | BY     | APPR  |
| A3        | -   | RELEASE NEW DWG FORMAT | 18/OCT/13 | JARRY  | -     |
| A4        | -   | UPDATE SHAPE OF LATCH  | 07/OCT/20 | SULLEN | TOMMY |



NOTES: UNLESS OTHERWISE SPECIFIED

- MATERIAL:  
HOUSING: THERMOPLASTIC  
SEAL: SILICONE RUBBER
- MODIFICATIONS: END CAP
- SPECIFICATIONS:  
3.1 CURRENT RATING: 25 AMPS  
3.2 VOLTAGE RATING: 500 V AC/DC (UL1977)  
3.3 OPERATING TEMPERATURE: -55°C TO +125°C  
3.4 DIELECTRIC WITHSTANDING VOLTAGE: LESS THAN 2 MILLIAMPS CURRENT LEAKAGE @ 2500 VOLTS AC.  
3.5 INSULATION RESISTANCE: 1000 MEGOHMS MIN @ 25°C.  
3.6 MOISTURE RESISTANCE:  
IP68(1M OF WATER FOR A PERIOD OF 24 HOURS, MATED CONDITION)  
IP69K(MATED CONDITION)  
3.7 MATING CYCLE DURABILITY: 100 CYCLES  
3.8 ROHS COMPLIANT
- MATING PART: ATP04-4P\* RECEPTACLE.  
(\* = MODIFICATIONS AND COLORS )
- ALL DIMENSIONS ARE FOR REFERENCE USE ONLY.

6 CONTACT SIZE AND REAR SEAL WIRE RANGE:

| CONTACT SIZE | MIN. INSUL O.D.   | MAX. INSUL O.D.   | TYPICAL WIRE RANGE                    |
|--------------|-------------------|-------------------|---------------------------------------|
| 12           | 3.40 mm (.134 in) | 4.95 mm (.195 in) | 10 - 14 AWG (5.0-2.0mm <sup>2</sup> ) |

| PART NUMBER CHART |                 |                |
|-------------------|-----------------|----------------|
| COLOR             | PART NUMBER     | REF.           |
| GREY              | ATP06-4S-EC01   | DTP06-4S-EC003 |
| BLACK             | ATP06-4S-EC01BK | -              |

STANDARD MOLDED COLOR IS GREY. ADDITIONAL COLOR ( BLACK ) IS AVAILABLE VIA SPECIAL ORDER.

| SEE PART NUMBER CHART                |             | DESCRIPTION  |  | ITEM     |
|--------------------------------------|-------------|--|--|----------|
| QUANTITY                             | PART NUMBER | MATERIALS LIST   |  |          |
| UNLESS OTHERWISE SPECIFIED           |             |  |  |          |
| 1) All dimensions are in metric(mm). |             |  |  |          |
| 2) Tolerances are as follows:        |             |  |  |          |
| 1 PL DEC ±0.30 Fractions ±1/64       |             |  |  |          |
| 2 PL DEC ±0.15 Angles ±1°            |             |  |  |          |
| 3 PL DEC ±0.08                       |             |  |  |          |
| 3) Note reference =                  |             |  |  |          |
| SIGNATURES                           |             | DATE   |  |          |
| DRAWN: SULLENZhang                   |             | 07/OCT/20  |  |          |
| CHECKED: ORIONLI                     |             | 08/OCT/20  |  |          |
| ENGINEER:                            |             |  |  |          |
| APPROVAL: TOMMY.XIE                  |             | 08/OCT/20  |  |          |
| MATERIAL SPECIFICATIONS:             |             | CUSTOMER:  |  |          |
| PROCESS SPECIFICATIONS:              |             | THIS DRAWING IS SUPPLIED FOR INFORMATION ONLY. DESIGN FEATURES, SPECIFICATIONS AND PERFORMANCE DATA SHOWN HEREON ARE THE PROPERTY OF THE AMPHENOL CORPORATION. NO RIGHTS OF REPRODUCTION ARE IMPLIED. ALL DIMENSIONS ARE SUBJECT TO NORMAL MANUFACTURING VARIATIONS. |  |          |
| NEXT ASSY:                           |             | SCALE: NONE  |  |          |
|                                      |             | SIZE TYPE DWG NO:  |  | REVISION |
|                                      |             | B C- ATP06-4S-EC01XX   |  | A4       |
|                                      |             | SINE SYSTEMS - www.amphenol-sine.com<br>44724 Morley Drive<br>Clinton Township, MI 48036   |  |          |
|                                      |             | 4 POS, PLUG, SOCKET, NORMAL SEAL, END CAP, ATP SERIES  |  |          |
|                                      |             | SHEET 1 OF 1   |  |          |

TITLE: 4 POS, PLUG, SOCKET, NORMAL SEAL, END CAP, ATP SERIES  
DWG NO: ATP06-4S-EC01XX  
REV: A4  
SH: 1  
OF: 1

# A Series™ - Contact Size 12 Options (Works with: AHD-6, ATP, ATHD, DuraMate and PanelMate Series)

| Machined Contacts, Sockets & Pins |  |      |       |          |
|-----------------------------------|--|------|-------|----------|
| Part Number                       | Description                            | Size | AWG   | Type     |
| *AT60-204-12141-10                | Male Contact - Pin, Nickel-plated      | 12   | 10-12 | Machined |
| *AT62-203-12141-10                | Female Contact - Socket, Nickel-plated | 12   | 10-12 | Machined |
| AT60-220-1231                     | Male Contact - Pin, Gold-plated        | 12   | 12-14 | Machined |
| AT62-210-1231                     | Female Contact - Socket, Gold-plated   | 12   | 12-14 | Machined |
| AT60-204-12141                    | Male Contact - Pin, Nickel-plated      | 12   | 12-14 | Machined |
| AT62-203-12141                    | Female Contact - Socket, Nickel-plated | 12   | 12-14 | Machined |

\*Works with ATP Series only

| DiagnosticGrade™ Machined Contacts, Sockets & Pins   |  |      |     |          |
|--|--|------|-----|----------|
| • Smaller AWG for Diagnostic Applications • Gold-plated • Increased Mating Cycles • Cost-effective |  |      |     |          |
| Part Number  | Description  | Size | AWG | Type     |
| 65-54749   | Male Contact - DiagnosticGrade™, Pin, Gold-plated      | 12   | 20  | Machined |
| AT62-210-1231-1820   | Female Contact - DiagnosticGrade™, Socket, Gold-plated | 12   | 20  | Machined |

| Tooling - Machined Contacts |  |
|-----------------------------|--|
| Part Number                 | Description  |
| AUTK-12                     | Hand Crimp Tool, Size 12   |
| AUTK-100                    | Universal Heavy Duty Contact Crimping Tool Kit, Size 12/16/20      |
| CA-5D12                     | Universal Hand Crimp Tool, Size 12/16/20                           |
| CA-5E12                     | Pneumatic Crimp Tool, Size 12/16/20                                |
| M300-25A                    | Hand Crimp Tool used with Crimp Locator MFX-3966, Size 12, 10AWG   |
| MFX-3966                    | Contact Locator used with Hand Crimp Tool M300-25A, Size 12, 10AWG |

| Contact Removal Tools (For both Machined or Stamped & Formed Contacts) |  |
|--|--|
| Part Number  | Description                            |
| ATRT-100   | Contact and Wedgelock Extraction Tool  |
| AT11-337-1205  | Contact Removal Tool, Plastic, Size 12 |

| Sealing Plugs (For both Machined or Stamped & Formed Contacts) |                              |
|--|------------------------------|
| Part Number  | Description                  |
| A114017  | Sealing Plug, Size 12, White |

| Stamped & Formed Contacts, Sockets & Pins |  |      |       |                  |
|---|--|------|-------|------------------|
| Part Number                               | Description                            | Size | AWG   | Type             |
| AT60-12-0244                              | Male Contact - Pin, Gold-plated        | 12   | 10-12 | Stamped & Formed |
| AT62-12-0244                              | Female Contact - Socket, Gold-plated   | 12   | 10-12 | Stamped & Formed |
| AT60-12-0222                              | Male Contact - Pin, Nickel-plated      | 12   | 10-12 | Stamped & Formed |
| AT62-12-0222                              | Female Contact - Socket, Nickel-plated | 12   | 10-12 | Stamped & Formed |
| AT60-12-0144                              | Male Contact - Pin, Gold-plated        | 12   | 12-14 | Stamped & Formed |
| AT62-12-0144                              | Female Contact - Socket, Gold-plated   | 12   | 12-14 | Stamped & Formed |
| AT60-12-0166                              | Male Contact - Pin, Nickel-plated      | 12   | 12-14 | Stamped & Formed |
| AT62-12-0166                              | Female Contact - Socket, Nickel-plated | 12   | 12-14 | Stamped & Formed |

| Tooling - Stamped & Formed Contacts |   |
|-------------------------------------|---|
| Part Number                         | Description                                 |
| MFX-3973                            | Crimp Die - Size 12                         |
| MFX-3985                            | Crimp Die - Ssize 12, 10-12AWG -02XX Series |
| ATT-12-00                           | Hand Crimp Tool - Size 12, 12AWG            |
| ATT-12-01                           | Hand Crimp Tool - Size 12, 10AWG            |