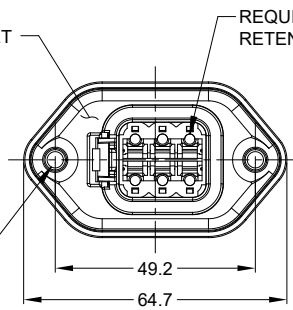
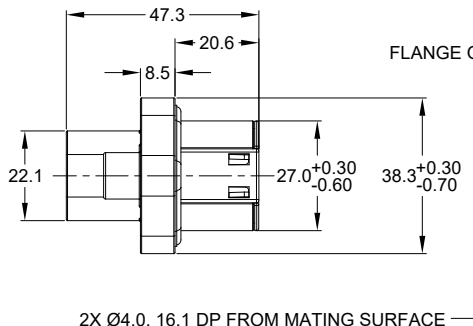
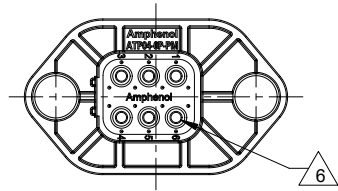
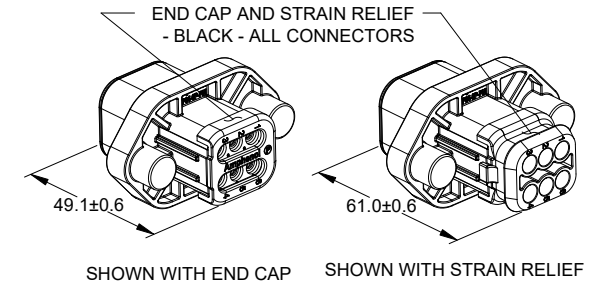
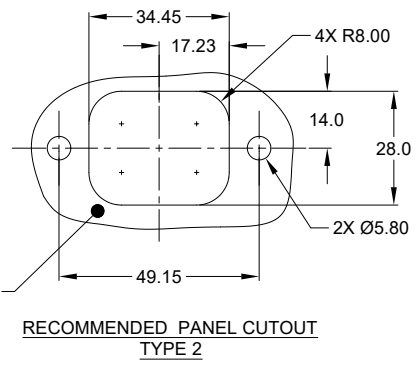
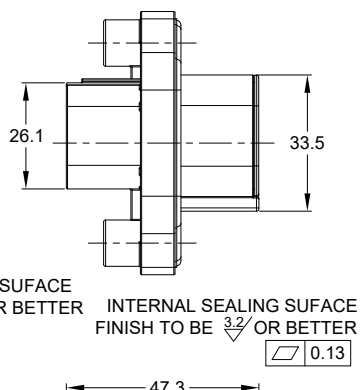
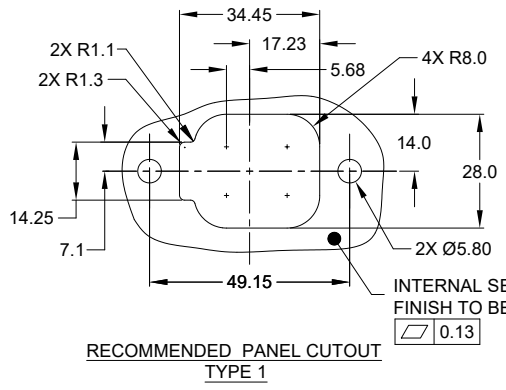


| REVISIONS |     |                  |         |        |       |
|-----------|-----|------------------|---------|--------|-------|
| REV       | ECO | DESCRIPTION      | DATE    | BY     | APPR  |
| A1        | -   | RELEASED DRAWING | 04JAN21 | LOUIE  | TOMMY |
| A2        | -   | UPDATE DRAWING   | 10MAY21 | SULLEN | TOMMY |



| PART NUMBER CHART |                          |                                 |
|-------------------|--------------------------|---------------------------------|
| PART NUMBER       | HOUSING AND INSERT COLOR | STRAIN RELIEF AND END CAP COLOR |
| ATP04-6P-PM1x     | GREY                     | BLACK                           |
| ATP04-6P-PM1xBK   | BLACK                    | BLACK                           |

| MODIFICATIONS   |              |         |               |                |
|-----------------|--------------|---------|---------------|----------------|
| PART NUMBER     | SEAL         | END CAP | STRAIN RELIEF | WEIGHT (GRAMS) |
| ATP04-6P-PM11XX | STANDARD     | NO      | NO            | 37.2           |
| ATP04-6P-PM12XX | REDUCED DIA. | NO      | NO            | 37.2           |
| ATP04-6P-PM13XX | STANDARD     | YES     | NO            | 39.6           |
| ATP04-6P-PM14XX | REDUCED DIA. | YES     | NO            | 39.6           |
| ATP04-6P-PM15XX | STANDARD     | NO      | YES           | 45.8           |
| ATP04-6P-PM16XX | REDUCED DIA. | NO      | YES           | 45.8           |

NOTES: UNLESS OTHERWISE SPECIFIED

- MATERIAL:  
HOUSING: THERMOPLASTIC; COLOR: SEE PART NUMBER CHART  
INSERT: THERMOPLASTIC; COLOR: SEE PART NUMBER CHART  
END CAP: THERMOPLASTIC; COLOR: BLACK  
STRAIN RELIEF: THERMOPLASTIC; COLOR: BLACK  
SEAL: SILICONE RUBBER; COLOR: RED FOR STANDARD, YELLOW FOR REDUCED DIA.  
FLANGE GASKET: SILICONE RUBBER; COLOR: RED
- MODIFICATIONS: FLANGE, END CAP (OPT), REDUCED DIAMETER WIRE SEAL (OPT), STRAIN RELIEF (OPT)
- SPECIFICATIONS:  
3.1 CURRENT RATING: 25 AMPS  
3.2 OPERATING TEMPERATURE: -55°C TO +125°C  
3.3 DIELECTRIC WITHSTANDING VOLTAGE: LESS THAN 2 MILLIAMPS CURRENT LEAKAGE @ 1500 VOLTS AC.  
3.4 INSULATION RESISTANCE: 1000 MEGOHMS MIN @ 25°C.  
3.5 MOISTURE RESISTANCE: IP68 (1M OF WATER FOR A PERIOD OF 24 HOURS, MATED CONDITION)  
3.6 MATING CYCLE DURABILITY: 100 CYCLES  
3.7 RoHS COMPLIANT
- MATING PART: ATP06-6S\* PLUG.  
(\* = MODIFICATIONS AND COLORS)

- 2X Ø4.0, 16.1 DP FROM MATING SURFACE  
RECOMMENDED ATTACHMENT OPTIONS:  
1. HEX WASHER HEAD SHEETMETAL SCREW, #10, HEX SIZE 5/16"  
2. SELF THREAD SCREW FOR PLASTIC SUCH AS ST 4.8
- RECOMMENDED TORQUE VALUES: 1.9-2.2N.M

5. ALL DIMENSIONS ARE FOR REFERENCE USE ONLY.
- ⚠ CONTACT SIZE AND REAR SEAL WIRE RANGE:

| STANDARD SEAL: |                   |                   |                                       |
|----------------|-------------------|-------------------|---------------------------------------|
| CONTACT SIZE   | MIN. INSUL O.D.   | MAX. INSUL O.D.   | TYPICAL WIRE RANGE                    |
| 12             | 3.40 mm (.134 in) | 4.95 mm (.195 in) | 10 - 14 AWG (5.0-2.0mm <sup>2</sup> ) |

| REDUCED DIAMETER SEAL: |                   |                   |                                       |
|------------------------|-------------------|-------------------|---------------------------------------|
| CONTACT SIZE           | MIN. INSUL O.D.   | MAX. INSUL O.D.   | TYPICAL WIRE RANGE                    |
| 12                     | 2.46 mm (.097 in) | 4.01 mm (.158 in) | 12 - 14 AWG (3.0-2.0mm <sup>2</sup> ) |

|   |             |  |  |      |
|---|-------------|--|--|------|
| ATP04-6P-PM1xXX   |             | DESCRIPTION  |  | ITEM |
| QUANTITY  | PART NUMBER | MATERIALS LIST   |  |      |
| UNLESS OTHERWISE SPECIFIED<br>1) All dimensions are in metric (mm).<br>2) Tolerances are as follows:<br>1 PL DEC ±0.30<br>2 PL DEC ±0.15<br>3 PL DEC ±0.08<br>Fractions ±1/64<br>Angles ±1° |             | <b>Amphenol</b><br>Sine Systems - www.amphenol-sine.com<br>44724 Morley Drive<br>Clinton Township, MI 48036  |  |      |
| SIGNATURES  |             | DATE   |  |      |
| DRAWN: SULLEN.ZHANG   |             | 10MAY21  |  |      |
| CHECKED: ORION.LI   |             | 11MAY21  |  |      |
| ENGINEER:   |             |  |  |      |
| APPROVAL: TOMMY.XIE   |             | 12MAY21  |  |      |
| CUSTOMER:   |             |  |  |      |
| MATERIAL SPECIFICATIONS:  |             | THIS DRAWING IS SUPPLIED FOR INFORMATION ONLY. DESIGN FEATURES, SPECIFICATIONS AND PERFORMANCE DATA SHOWN HEREON ARE THE PROPERTY OF THE AMPHENOL CORPORATION. NO RIGHTS OF REPRODUCTION ARE IMPLIED. ALL DIMENSIONS ARE SUBJECT TO NORMAL MANUFACTURING VARIATIONS. |  |      |
| PROCESS SPECIFICATIONS:   |             | SCALE: NONE  |  |      |
| NEXT ASSY:  |             | SIZE: B C- TYPE: ATP04-6P-PM1xXX DWG NO: A2 REVISION: A2   |  |      |
|   |             | SHEET 1 OF 1   |  |      |

TITLE: 6 POS RECEPTACLE, PIN, ATP SERIES, W/ FLANGE, GASKET, SELF-TAPPING DWG NO: ATP04-6P-PM1xXX REV: A2 SH: 1 OF: 1

# A Series™ - Contact Size 12 Options (Works with: AHD-6, ATP, ATHD, DuraMate and PanelMate Series)

| Machined Contacts, Sockets & Pins |  |      |       |          |
|-----------------------------------|--|------|-------|----------|
| Part Number                       | Description                            | Size | AWG   | Type     |
| *AT60-204-12141-10                | Male Contact - Pin, Nickel-plated      | 12   | 10-12 | Machined |
| *AT62-203-12141-10                | Female Contact - Socket, Nickel-plated | 12   | 10-12 | Machined |
| AT60-220-1231                     | Male Contact - Pin, Gold-plated        | 12   | 12-14 | Machined |
| AT62-210-1231                     | Female Contact - Socket, Gold-plated   | 12   | 12-14 | Machined |
| AT60-204-12141                    | Male Contact - Pin, Nickel-plated      | 12   | 12-14 | Machined |
| AT62-203-12141                    | Female Contact - Socket, Nickel-plated | 12   | 12-14 | Machined |

\*Works with ATP Series only

| DiagnosticGrade™ Machined Contacts, Sockets & Pins   |  |      |     |          |
|--|--|------|-----|----------|
| • Smaller AWG for Diagnostic Applications • Gold-plated • Increased Mating Cycles • Cost-effective |  |      |     |          |
| Part Number  | Description  | Size | AWG | Type     |
| 65-54749   | Male Contact - DiagnosticGrade™, Pin, Gold-plated      | 12   | 20  | Machined |
| AT62-210-1231-1820   | Female Contact - DiagnosticGrade™, Socket, Gold-plated | 12   | 20  | Machined |

| Tooling - Machined Contacts |  |
|-----------------------------|--|
| Part Number                 | Description  |
| AUTK-12                     | Hand Crimp Tool, Size 12   |
| AUTK-100                    | Universal Heavy Duty Contact Crimping Tool Kit, Size 12/16/20      |
| CA-5D12                     | Universal Hand Crimp Tool, Size 12/16/20                           |
| CA-5E12                     | Pneumatic Crimp Tool, Size 12/16/20                                |
| M300-25A                    | Hand Crimp Tool used with Crimp Locator MFX-3966, Size 12, 10AWG   |
| MFX-3966                    | Contact Locator used with Hand Crimp Tool M300-25A, Size 12, 10AWG |

| Contact Removal Tools (For both Machined or Stamped & Formed Contacts) |  |
|--|--|
| Part Number  | Description                            |
| ATRT-100   | Contact and Wedgelock Extraction Tool  |
| AT11-337-1205  | Contact Removal Tool, Plastic, Size 12 |

| Sealing Plugs (For both Machined or Stamped & Formed Contacts) |                              |
|--|------------------------------|
| Part Number  | Description                  |
| A114017  | Sealing Plug, Size 12, White |

| Stamped & Formed Contacts, Sockets & Pins |  |      |       |                  |
|---|--|------|-------|------------------|
| Part Number                               | Description                            | Size | AWG   | Type             |
| AT60-12-0244                              | Male Contact - Pin, Gold-plated        | 12   | 10-12 | Stamped & Formed |
| AT62-12-0244                              | Female Contact - Socket, Gold-plated   | 12   | 10-12 | Stamped & Formed |
| AT60-12-0222                              | Male Contact - Pin, Nickel-plated      | 12   | 10-12 | Stamped & Formed |
| AT62-12-0222                              | Female Contact - Socket, Nickel-plated | 12   | 10-12 | Stamped & Formed |
| AT60-12-0144                              | Male Contact - Pin, Gold-plated        | 12   | 12-14 | Stamped & Formed |
| AT62-12-0144                              | Female Contact - Socket, Gold-plated   | 12   | 12-14 | Stamped & Formed |
| AT60-12-0166                              | Male Contact - Pin, Nickel-plated      | 12   | 12-14 | Stamped & Formed |
| AT62-12-0166                              | Female Contact - Socket, Nickel-plated | 12   | 12-14 | Stamped & Formed |

| Tooling - Stamped & Formed Contacts |   |
|-------------------------------------|---|
| Part Number                         | Description                                 |
| MFX-3973                            | Crimp Die - Size 12                         |
| MFX-3985                            | Crimp Die - Ssize 12, 10-12AWG -02XX Series |
| ATT-12-00                           | Hand Crimp Tool - Size 12, 12AWG            |
| ATT-12-01                           | Hand Crimp Tool - Size 12, 10AWG            |