



TAOGLAS®



Datasheet

FXR.08.52.0075X.A.dg

Description:

Rectangular Flexible Near-Field Communications Ferrite Antenna with 75mm Twisted Pair 28AWG Cable and ACH(F)

Features:

13.56MHz RFID / NFC Antenna

Layered with Ferrite Flux Director

Low Profile Embedded Antenna

Dimensions: 53.34 mm x 37.3 mm

Thickness: 0.30 mm

Peel and stick Nitto UTD-30 adhesive on back

75mm Twisted Pair 28AWG Cable with Teflon and ACH(F) Connector

Customized solutions available

RoHS and REACH Compliant

| | |
|-------------------------|----|
| 1. Introduction | 3 |
| 2. Specifications | 4 |
| 3. Antenna Applications | 5 |
| 4. Mechanical Drawing | 9 |
| 5. Packaging | 10 |
| <hr/> | |
| Changelog | 11 |

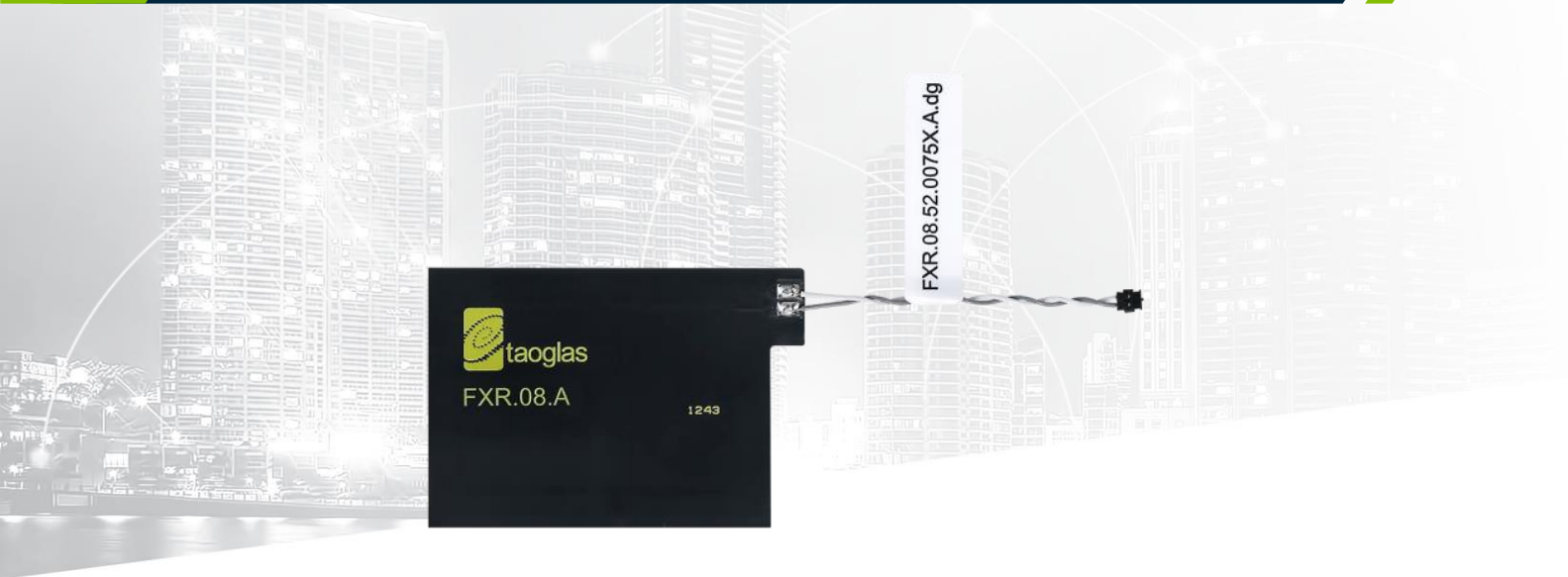
Taoglas makes no warranties based on the accuracy or completeness of the contents of this document and reserves the right to make changes to specifications and product descriptions at any time without notice. Taoglas reserves all rights to this document and the information contained herein.

Reproduction, use or disclosure to third parties without express permission is strictly prohibited.

© Taoglas



1. Introduction



The FXR.08.52.0075X.A.dg is an NFC Ferrite antenna with 75mm twisted pair 28AWG cable and JST connector. It works with specific NFC chips which need to connect via JST ACH connector.

NFC antennas can be applied in areas not traditionally available to other types of antennas. A common example is the ability to apply NFC antennas to batteries or other conductive surfaces. To enable this usage, however, a ferrite flux director layer is required. This ferrite layer acts to steer the magnetic flux away from the metal or other conductor, where it would otherwise result in loss or complete failure to communicate. Taoglas NFC antennas can therefore be customized with flux director layers to enable this flexibility in usage. The coil inductance noted below can help estimate a capacitance value for creating resonance at 13.56MHz.

Typical applications

- Mobile devices
- Electronic wallets
- Health care ID scanners
- Payment readers
- Office ID
- Access control
- Internet Of Things

Customized antennas for specific applications, shape, and impedance match can also be provided for an NRE and subject to MOQ. Contact your regional Taoglas sales office for more information and support on our NFC antenna range.

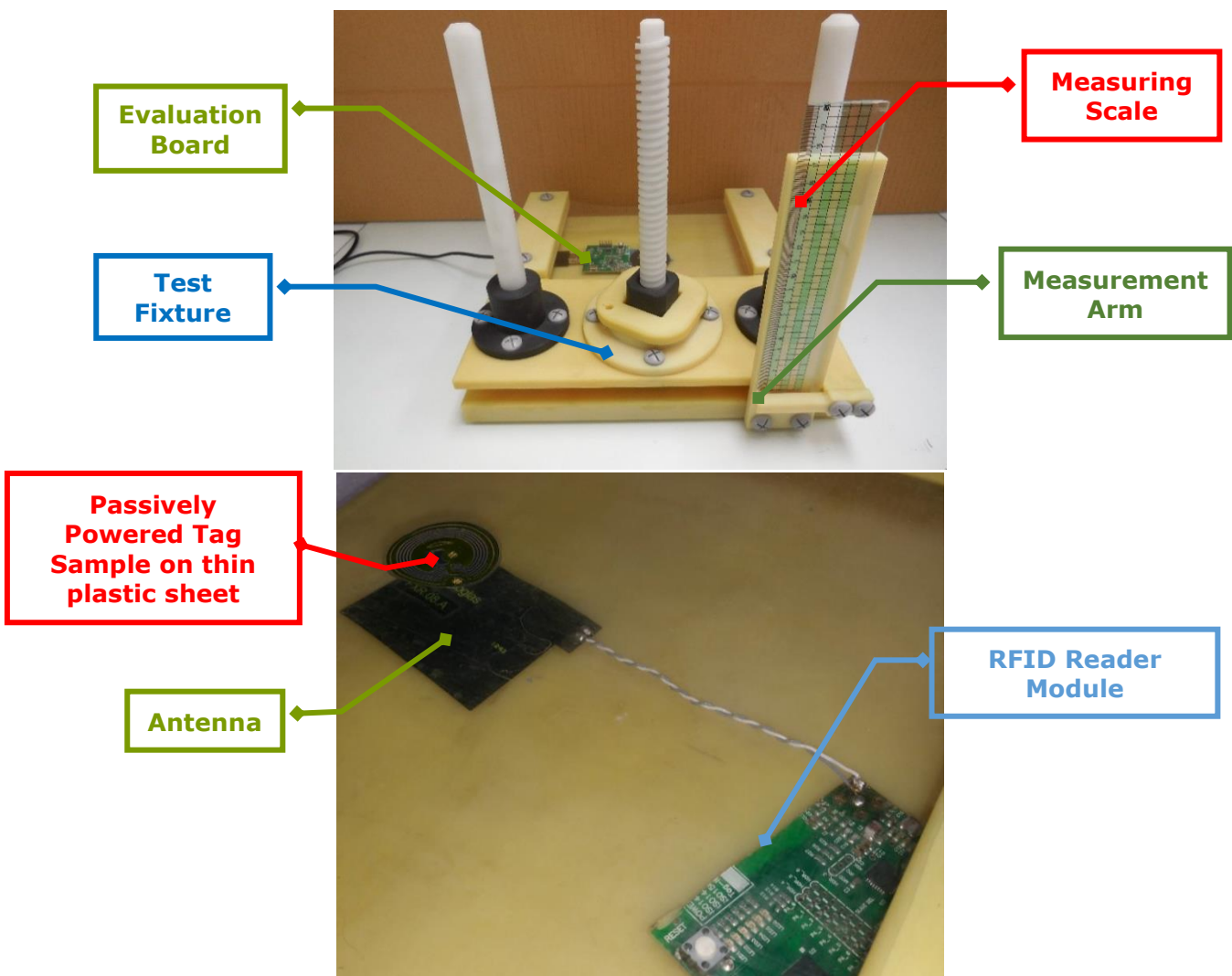
2. Specifications

| Electrical | |
|--------------------------|----------------------------|
| Frequency (MHz) | 13.56 MHz |
| Self-Resonance Frequency | 41.08MHz |
| Q Factor | 248.8 |
| Ls | 7.3 μ H |
| Rs | 2.5 Ω |
| Mechanical | |
| Antenna Dimensions | 53.34 mm x 37.3 mm |
| Thickness | 0.15 mm |
| Cable Length | 75 mm |
| Cable Type | ACH(F) |
| Connector Type | ACH(F) |
| Adhesive | 3M 467 |
| Weight | 3g |
| Environmental | |
| Temperature Range | -40°C to 85°C |
| Storage Temperature | -40°C to 85°C |
| Humidity | Non-condensing 65°C 95% RH |

3. Antenna Application

3.1 Test Setup

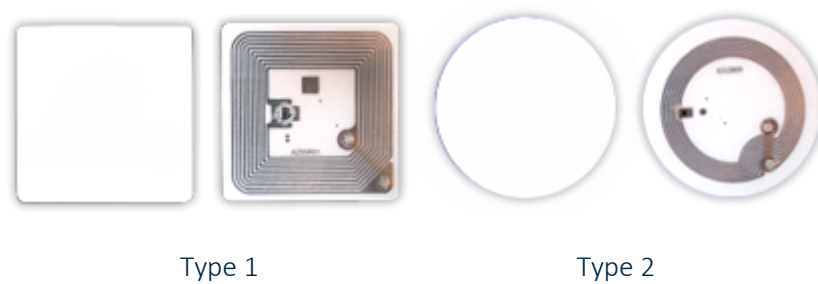
A test fixture is used to measure the maximum interrogation distance. The FXR.08.52.0075X.A.dg antenna is connected to a NFC evaluation board and then placed on the fixed part of the fixture.



The test sample is placed on a thin sheet of plastic connected to the movable part of the fixture. Then the distance is carefully adjusted until the reader can no longer read the sample, thus the maximum interrogation distance is displayed in the ruler.

3.2 RFID tags used for test

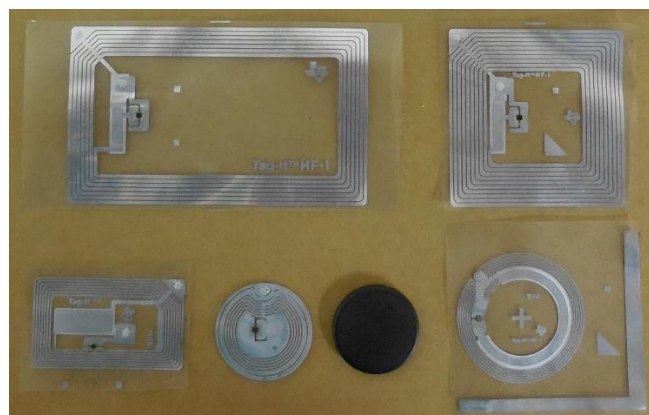
A total of 8 RFID tags were used to measure the interrogation distances. The next picture shows type 1 and type 2 respectively.



Type 1 tag is based on ISO/IEC 14443A standard and has 512 bytes of memory.

Type 2 tag is based on ISO/IEC 14443A standard and has 192 bytes of memory.

The next picture shows the Tag-it HF-I RFID tags from Texas Instruments: RI-102-112, RI-111-112, RI-103-112, RI-116-112, button type, and RI-117-112.



The Tag-it HF-I Plus Transponder Inlay family of Texas Instruments RFID is based on the ISO/IEC 15693 standard for contactless integrated circuit cards (vicinity cards) and ISO/IEC 18000-3 standard for item management.

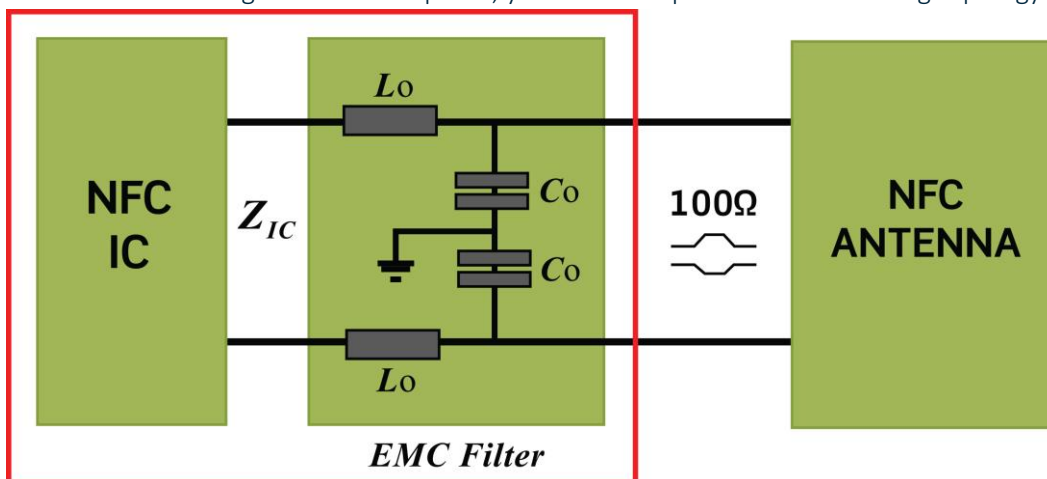
3.3 Matching

The interrogation distances presented here were taken with the antenna connected directly to the evaluation boards with the default matching circuit. This is not necessarily the optimal matching circuit that could be designed for a particular antenna. We kept the default matching of each evaluation board to minimize the number of variables in testing and keep integration as simple as possible.

As with any matching network the exact circuit and values for an optimal network depend on the combination of antenna, NFC circuit, any intervening transmission line and the environment presented to the antenna. These factors are specific to the particular end product.

As a starting point, to achieve the read range results presented here, use the matching network detailed in the schematic of the evaluation board for your particular NFC chip and keep the antenna free of any obstruction. Once you can demonstrate successful reads you can then optimize performance as desired.

If the matching network is required, you should implement the following topology:



The matching circuit should be designed to match the IC impedance Z_{IC} to 100Ω and then connect the antenna through a 100Ω differential pair.

3.4 Test Results

A total of 8 sample devices were used to measure the interrogation distances in two scenarios, over plastic and over metal, using the Texas Instruments TRF7970AEVM evaluation board. The results are:

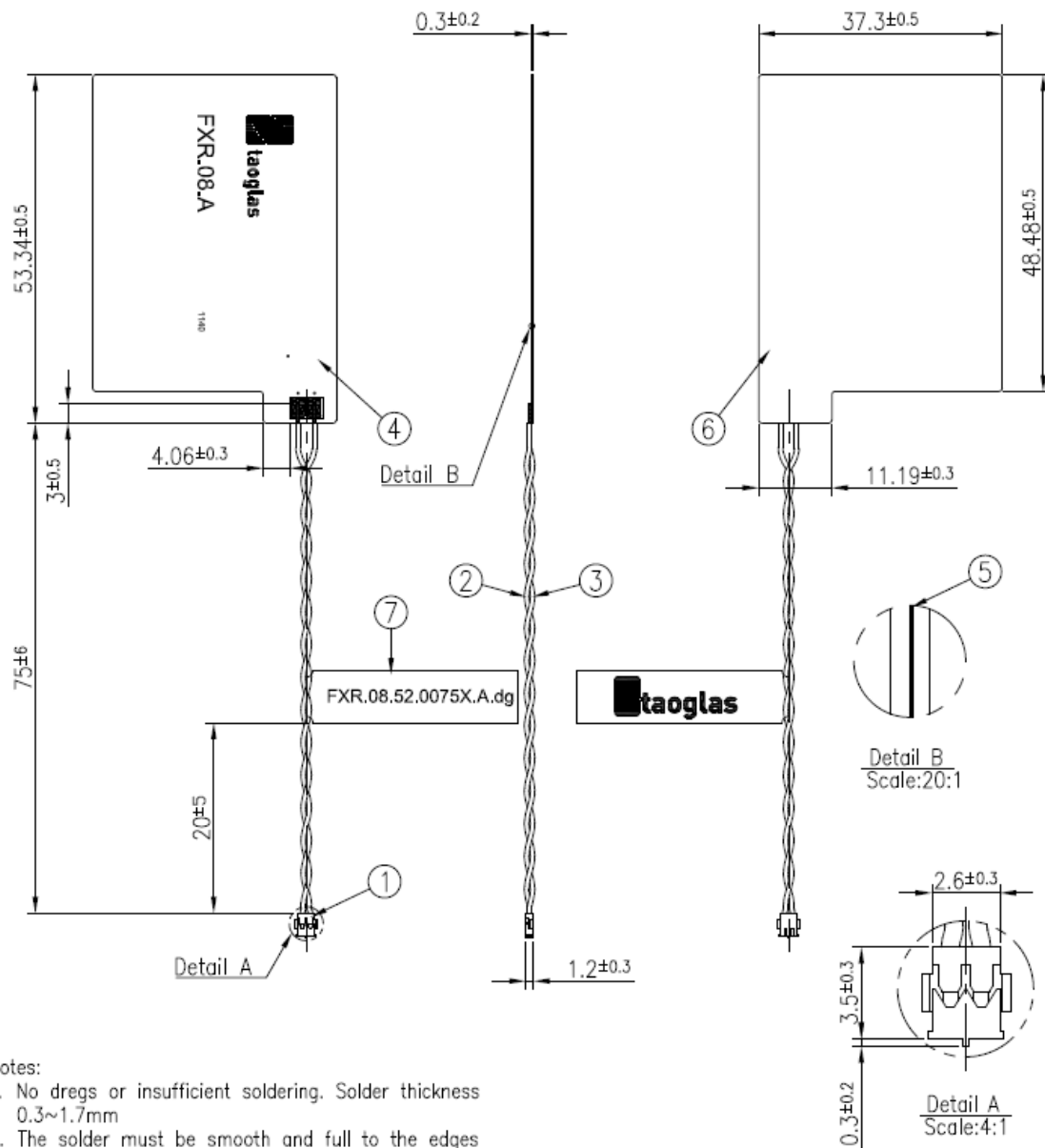
- Over plastic:

| Device | Dimensions (mm.) | Interrogation Distance (mm.) |
|----------------------------|------------------|------------------------------|
| Topaz512 (Type 1) | 43 x 43 | 12 |
| NTAG203 (Type 2) | Φ 42 | 14 |
| Tag-it HFI Plus RI-I11-112 | 45 x 45 | 21 |
| Tag-it HFI Plus RI-I02-112 | 76 x 48 | 23 |
| Tag-it HFI Plus RI-I03-112 | 38 x 22.5 | 10 |
| Tag-it HFI Plus RI-I16-112 | Φ 24.2 | 12 |
| Button type | Φ 22 | 10 |
| Tag-it HFI Plus RI-I17-112 | Φ 32.5 | 15 |

- Over metal:

| Device | Dimensions (mm.) | Interrogation Distance (mm.) |
|----------------------------|------------------|------------------------------|
| Topaz512 (Type 1) | 43 x 43 | 7 |
| NTAG203 (Type 2) | Φ 42 | 9 |
| Tag-it HFI Plus RI-I11-112 | 45 x 45 | 14 |
| Tag-it HFI Plus RI-I02-112 | 76 x 48 | 16 |
| Tag-it HFI Plus RI-I03-112 | 38 x 22.5 | 7 |
| Tag-it HFI Plus RI-I16-112 | Φ 24.2 | 9 |
| Button type | Φ 22 | 8 |
| Tag-it HFI Plus RI-I17-112 | Φ 32.5 | 11 |

4. Mechanical Drawing (Units: mm)



Notes:

1. No dregs or insufficient soldering. Solder thickness 0.3~1.7mm
2. The solder must be smooth and full to the edges of the pad, and must not extend outside of the pad area.
3. The connector position has special orientation to the PCB as per drawing.
4. All Material Must Be RoHS Compliant.
5. Open/short QC, VSWR required.
6. Soldered area (Tin Plated).
7. * " Critical Dimensions

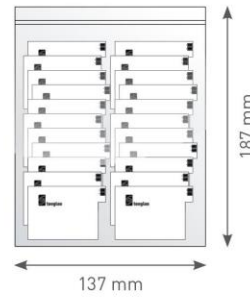
| | Name | P/N | Material | Finish | QTY |
|---|----------------------------|----------------|----------------------|---------|-----|
| 1 | ACH Connector (F) | 208115C000000A | Engineering Plastics | Black | 1 |
| 2 | PVDF Cable (28AWG) | 304515C000000A | PVDF | Black | 1 |
| 3 | PVDF Cable (28AWG) | 304515C010000A | PVDF | Red | 1 |
| 4 | FXR.08.A.FPCB | 100111L010011A | FPCB 0.15t | Black | 1 |
| 5 | Double-Sided Adhesive | 100111L010011A | 3M 467 | Clear | 1 |
| 6 | FXR.08.B Flux Director | 001015C060000A | Ferfite | Natural | 1 |
| 7 | FXR.08.52.0075X.A.dg Label | 001015D090051A | PET | White | 1 |

5. Packaging

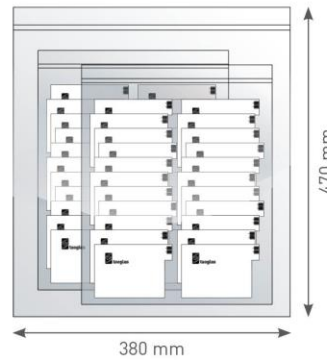
FXR.08.52.0075X.A.dg

Packaging Specifications

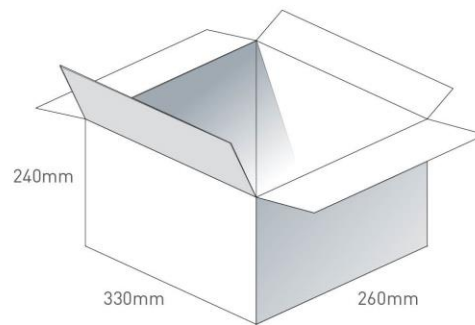
100pcs FXR.08.52.0075X.A.dg per PE Bag
 Bag Dimensions - 187 x 137mm
 Weight - 200g



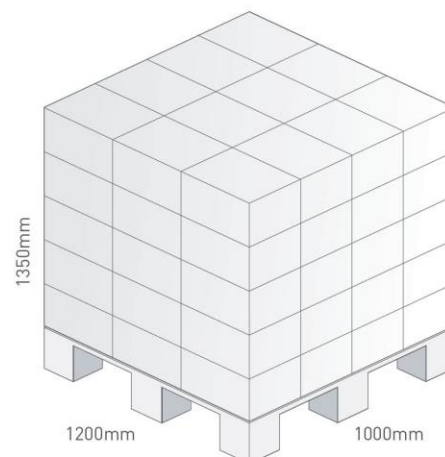
1000pcs FXR.08.52.0075X.A.dg per PE Large Bag
 Bag Dimensions - 470 x 380mm
 Weight - 2Kg



Carton Qty - 5,000 FXR.08.52.0075X.A.dg
 Carton - 330 x 260 x 240mm
 Weight - 10.5Kg



Pallet Dimensions 1200 x 1000 x 1350mm
 60 Cartons per Pallet
 12 Cartons per layer
 5 Layers



Changelog for the datasheet

SPE-15-8-078 – FXR.08.52.0075X.A

| Revision: D (Current Version) | |
|-------------------------------|------------------------|
| Date: | 2022-05-31 |
| Changes: | Updated Specifications |
| Changes Made by: | Cesar Sousa |

Previous Revisions

| Revision: C (Current Version) | |
|-------------------------------|--|
| Date: | 2021-08-13 |
| Changes: | Full datasheet template updated & electrical data added to spec table. |
| Changes Made by: | Gary West |

| Revision: B | |
|------------------|-----------------------------|
| Date: | 2017-07-17 |
| Changes: | Updated as per PCN 17-8-104 |
| Changes Made by: | Andy Mahoney |

| Revision: A (Original First Release) | |
|--------------------------------------|------------|
| Date: | 2015-12-22 |
| Notes: | |
| Author: | |

| | |
|--|--|
| | |
|--|--|

| | |
|--|--|
| | |
|--|--|

| | |
|--|--|
| | |
|--|--|

| | |
|--|--|
| | |
|--|--|

| | |
|--|--|
| | |
|--|--|

| | |
|--|--|
| | |
|--|--|

| | |
|--|--|
| | |
|--|--|



TAOGLAS®

www.taoglas.com

