

1438426-3 ✓ ACTIVE

AMP | AMP 0.64 Connector System

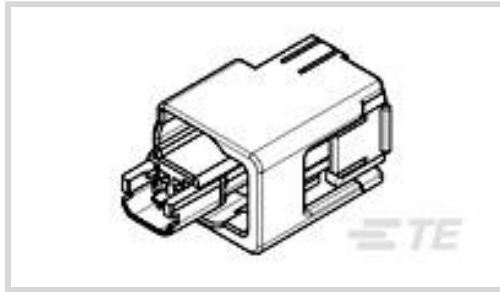
TE Internal #: 1438426-3

Wire-to-Wire, 2 Position, .1 in [2.54 mm] Centerline, Sealable, Gray, Signal, Cable Mount (Free-Hanging), Key B, AMP 0.64 Connector System

[View on TE.com >](#)



Connectors > Automotive Connectors > Automotive Housings



Connector System: **Wire-to-Wire**

Number of Positions: **2**

Centerline (Pitch): **2.54 mm [ .1 in ]**

Sealable: **Yes**

Mating Tab Width: **.64 mm [ .025 in ]**

### Features

#### Product Type Features

Mixed & Hybrid Connector	No
Connector Shape	Rectangular
Connector System	Wire-to-Wire
Sealable	Yes

#### Configuration Features

Number of Positions	2
Number of Rows	1

#### Body Features

Primary Product Color	Gray
Connector & Keying Code	B

#### Contact Features

Contact Size	.64mm
Mating Tab Width	.64 mm[.025 in]

#### Mechanical Attachment

Terminal Position Assurance	No
Strain Relief	Without
Mating Alignment Type	Keyed
Mating Alignment	With



Connector Mounting Type	Cable Mount (Free-Hanging)
-------------------------	----------------------------

### Housing Features

Housing Material	Nylon 6/6 GF35
Centerline (Pitch)	2.54 mm[.1 in]

### Dimensions

Connector Height	35.3 mm[1.389 in]
Product Width	16.45 mm[.648 in]
Product Length	20.61 mm[.811 in]

### Operation/Application

Circuit Application	Signal
---------------------	--------

### Industry Standards

Compatible With Agency/Standards Products	SAE/USCAR-2
UL Flammability Rating	UL 94HB

### Packaging Features

Packaging Quantity	25
Packaging Method	Package

### Other

Connector Position Assurance Capable	Yes
--------------------------------------	-----

## Product Compliance

[For compliance documentation, visit the product page on TE.com>](#)

EU RoHS Directive 2011/65/EU	Compliant
EU ELV Directive 2000/53/EC	Compliant
China RoHS 2 Directive MIIT Order No 32, 2016	No Restricted Materials Above Threshold
EU REACH Regulation (EC) No. 1907/2006	Current ECHA Candidate List: JUNE 2023 (235) Candidate List Declared Against: JAN 2023 (233) Does not contain REACH SVHC
Halogen Content	Low Halogen - Br, Cl, F, I < 900 ppm per homogenous material. Also BFR/CFR/PVC Free
Solder Process Capability	Not reviewed for solder process capability




This information is provided based on reasonable inquiry of our suppliers and represents our current actual knowledge based on the information they provided. This information is subject to change. The part numbers that TE has identified as EU RoHS compliant have a maximum concentration of 0.1% by weight in homogenous materials for lead, hexavalent chromium, mercury, PBB, PBDE, DBP, BBP, DEHP, DIBP, and 0.01% for cadmium, or qualify for an exemption to these limits as defined in the Annexes of Directive 2011/65/EU (RoHS2). Finished electrical and electronic equipment products will be CE marked as required by Directive 2011/65/EU. Components may not be CE marked. Additionally, the part numbers that TE has identified as EU ELV compliant have a maximum concentration of 0.1% by weight in homogenous materials for lead, hexavalent chromium, and mercury, and 0.01% for cadmium, or qualify for an exemption to these limits as defined in the Annexes of Directive 2000/53/EC (ELV). Regarding the REACH Regulation, the information TE provides on SVHC in articles for this part number is based on the latest European Chemicals Agency (ECHA) 'Guidance on requirements for substances in articles' posted at this URL: <https://echa.europa.eu/guidance-documents/guidance-on-reach>

## Compatible Parts



TE Part # 638551-3  
CONTACT,FEMALE,0.64MM,SN,18-20



TE Part # 1326028-3  
0.64MM FEMALE CONTACT,AU,18-20



TE Part # 1326028-5  
.64MM FEM CONT,AU,18-20,FORMED



TE Part # 638551-1  
CONTACT,FEMALE,0.64MM,SN,18-20



TE Part # 1326028-2  
0.64MM FEMALE CONTACT,AU, 22AWG



TE Part # 638551-4  
CONTACT,FEMALE,0.64MM,SN,22



TE Part # 1326028-1  
0.64MM FEMALE CONTACT,AU,18-20



TE Part # 638551-2  
CONTACT,FEMALE,0.64MM,SN,22




TE Part # 1326028-4  
0.64MM FEMALE CONTACT,AU, 22AWG



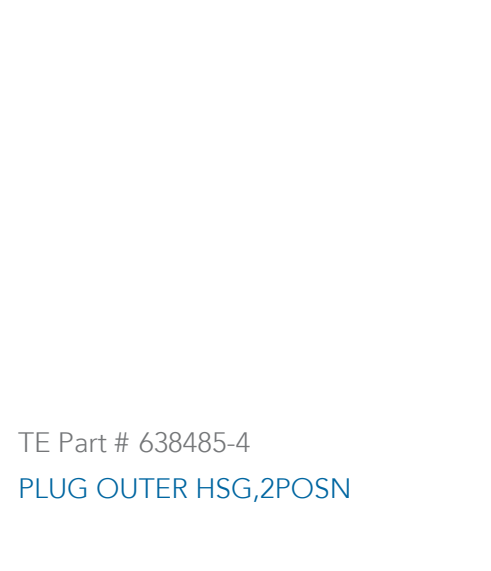
TE Part # 1326028-6  
0.64MM FEMALE CONTACT,AU, 22AWG



TE Part # 1326525-2  
SEAT POS SENSOR ASSY, GENERAL SALES



TE Part # 638481-2  
PLUG,INNER HSG, 2POS KEY B



TE Part # 638485-4  
PLUG OUTER HSG,2POSN

## Also in the Series | AMP 0.64 Connector System



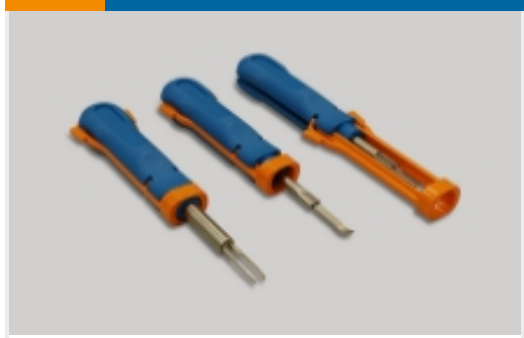
Automotive Connector Caps & Covers (17)



Automotive Housings(25)



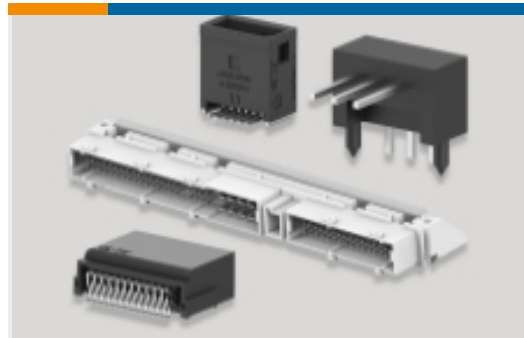
Automotive Terminals(14)



Insertion & Extraction Tools(1)

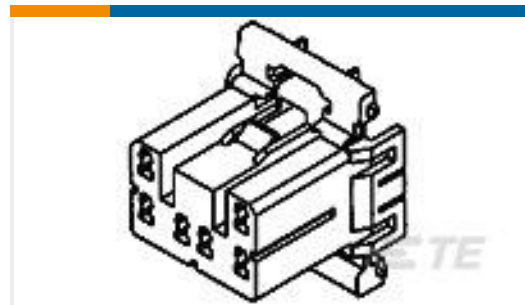


Other Automotive Connector Accessories(2)

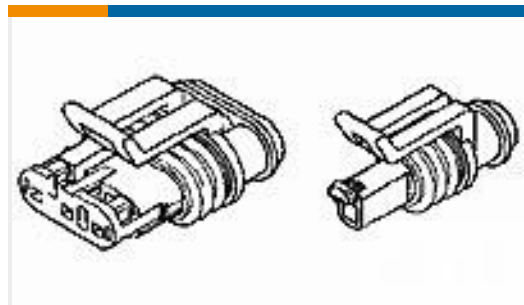


PCB Headers & Receptacles(30)

## Customers Also Bought



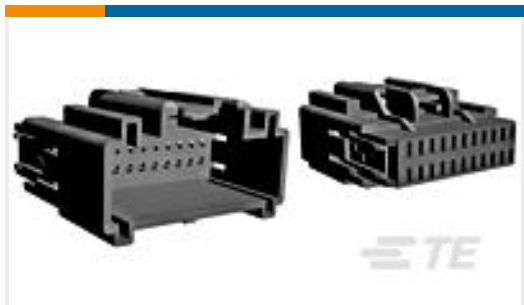
TE Part #173853-1  
070 MULTILOCK PLUG 18P



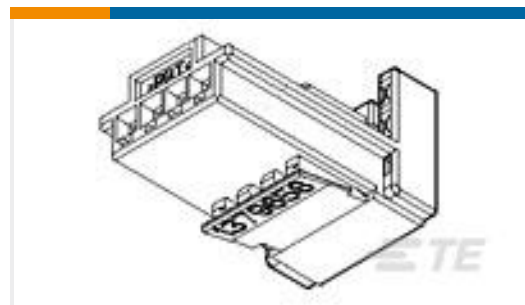
TE Part #282080-2  
AMP SUPERSEAL 1.5 SERIES 2P PL



TE Part #2-1718333-1  
2POS MQS REC COD B



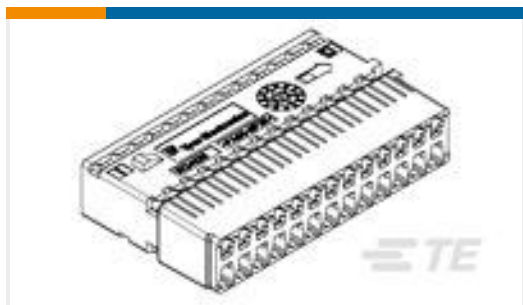
TE Part #2-1419158-8  
INLINE CONN.MALE22P



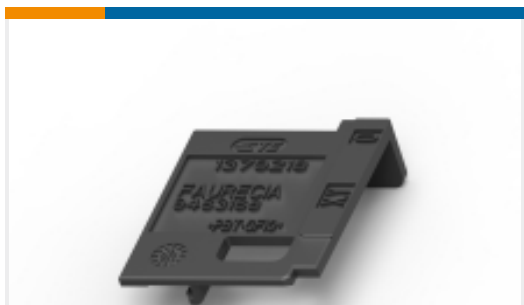
TE Part #1379658-1  
4W RCPT HSG CODING 1 BLAC



TE Part #1379218-2  
COVER FOR 5W MPQ+MQS HSG



TE Part #1924136-2  
Carrier, 26P Generation Y, 52P Conn



TE Part #1379218-1  
COVER FOR 5W MPQ+MQS HSG



TE Part #1-1452839-5  
24 POS FEMALE HSG ASSY



TE Part #1-2035077-1  
PLUG HSG, 4 POSN HYBRID 0.64/2.8



## Documents

### Product Drawings

[0.64MM, 2POSN SEALED PLUG, GRA](#)

English

---

### CAD Files

Customer View Model

[ENG\\_CVM\\_CVM\\_1438426-3\\_C.2d\\_dxf.zip](#)

English

3D PDF

3D

Customer View Model

[ENG\\_CVM\\_CVM\\_1438426-3\\_C.3d\\_igs.zip](#)

English

Customer View Model

[ENG\\_CVM\\_CVM\\_1438426-3\\_C.3d\\_stp.zip](#)

English

By downloading the CAD file I accept and agree to the [Terms and Conditions](#) of use.

---

### Instruction Sheets

[Instruction Sheet \(U.S.\)](#)

English