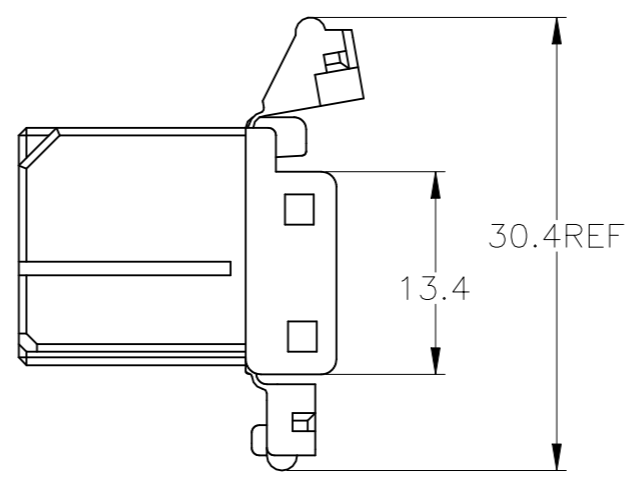
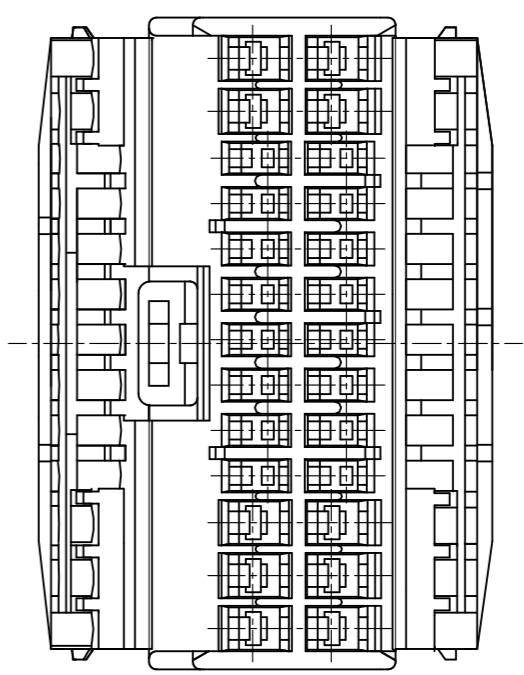
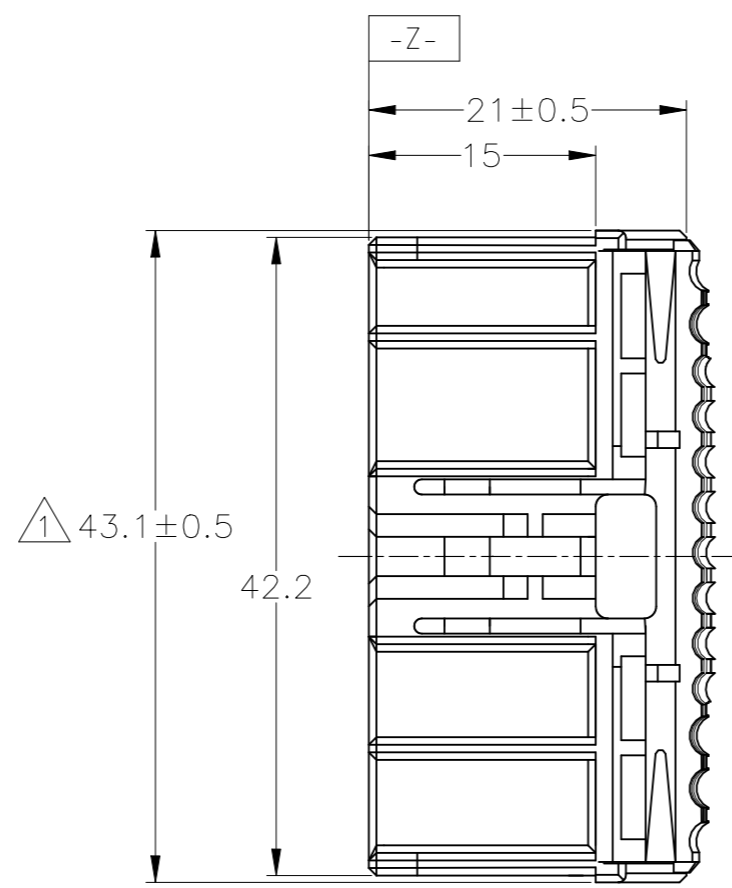
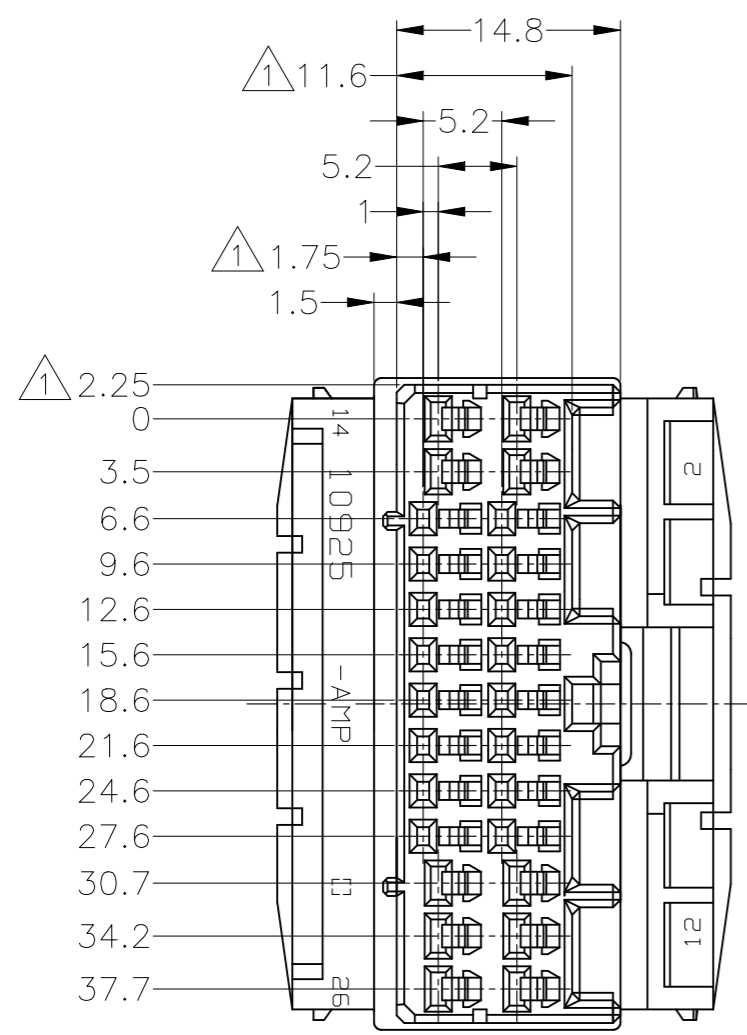


REVISIONS					
P	LTR	DESCRIPTION	DATE	DWN	APVD
C3	REVISED	ECR-23-185274	15SEP2023	AG	RK



- ① MUST BE KEPT BETWEEN **-Z-** AND 2mm
  - 2. THE MATING CAP HOUSING PART NUMBER ; 178762, 5178762, 176242, 175569
  - 3. APPLIED CONTACT PART NUMBER ; 173716, 173630, 173631, 175094
  - 4. APPLICABLE PRODUCT SPEC NO. 108-5280
- ① **-Z-** 面より 2mm の範囲で測定。
  - 2. 嵌合相手ハウジング型番 ; 178762, 5178762, 176242, 175569
  - 3. 内装するリセプタクルコンタクト型番 ; 173716, 173630, 173631, 175094
  - 4. 適用製品規格番号 ; 108-5280

灰 GRAY	175567-6
青 BLUE	175567-5
白 WHITE	175567-1
色 COLOR	PART NUMBER

OBSOLETE

TOLERANCE UNLESS OTHERWISE SPECIFIED:	
一般公差	
0 < x ≤ 10	±0.2
10 < x ≤ 30	±0.25
30 < x ≤ 100	±0.3
ANGLE ; 角度	±3°

THIS DRAWING IS A CONTROLLED DOCUMENT.		DWN T.SHINOHARA 07SEP10		<b>STE</b> TE Connectivity	
DIMENSIONS: mm		CHK K.BETSUI 07SEP10			
TOLERANCES UNLESS OTHERWISE SPECIFIED:		APVD K.BETSUI 07SEP10		NAME	
0 PLC ± -		PRODUCT SPEC		040/070 SERIES HYBRID I/O CONNECTOR	
1 PLC ± -		APPLICATION SPEC		26POSITION PLUG HOUSING	
2 PLC ± -		-		SIZE	A3
3 PLC ± -		WEIGHT -		CAGE CODE	00779
4 PLC ± -		CUSTOMER DRAWING		DRAWING NO	C-175567
ANGLES ± -		SCALE 2:1		SHEET	1 OF 1
FINISH -		RESTRICTED TO -		REV	C3