



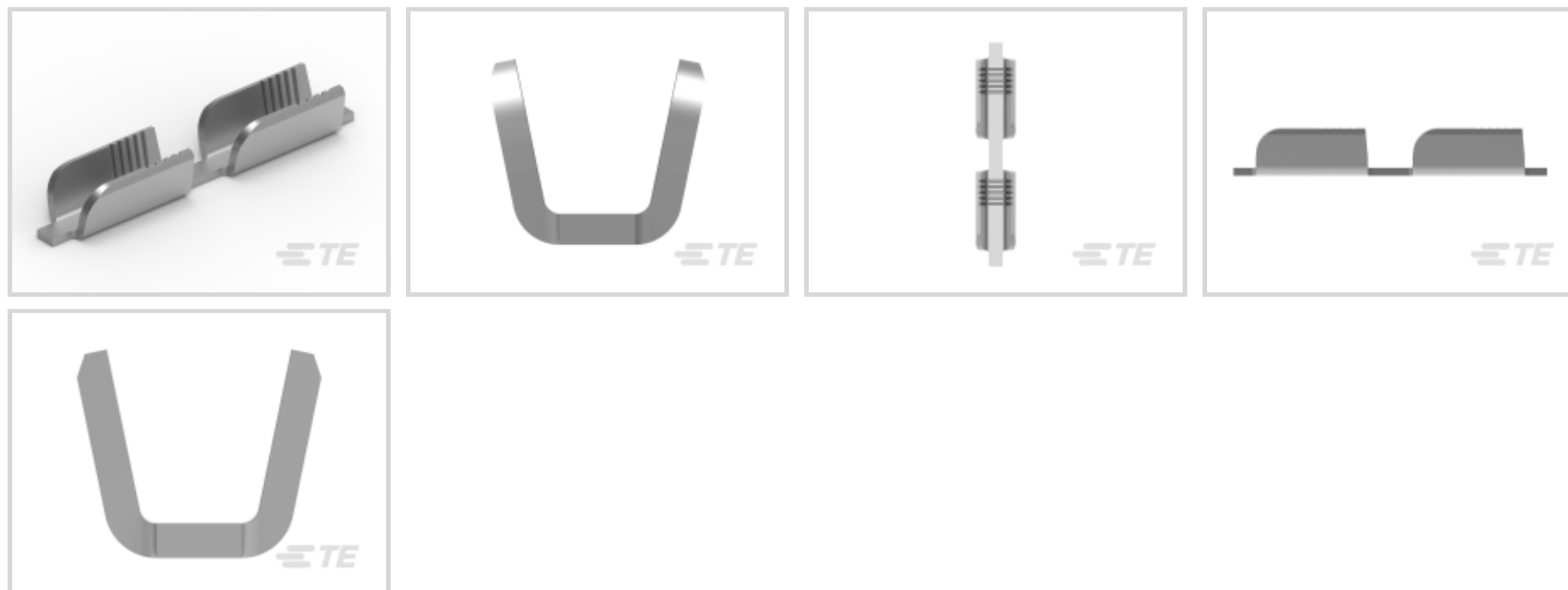
AMPLIVAR

TE Internal #: 2825180-2

Splices, Pigtail Splice, 35 – 28 AWG Wire Size, .26 – .8 mm² Wire Size, Splice Capacity 3, Serrated, 400 – 1500 CMA Wire Size, Brass, AMPLIVAR

[View on TE.com >](#)

Terminals & Splices > Splices



Wire Size: .26 – .8 mm²

Sealable: No

Splice Capacity: 3

Splice Features: Serrated

Features

Product Type Features

Sealable	No
Splice Type	Pigtail Splice
Compatible With Discrete Wire Type	Magnet Wire, Solid

Configuration Features

Strip Orientation	End Feed
Splice Capacity	3
Number of Serrations	5

Electrical Characteristics

Operating Voltage	250 V
-------------------	-------

Body Features

Product Weight	.185 g
Splice Features	Serrated

Contact Features

Terminal Plating Thickness	1.01 μm[40 μin]
----------------------------	-----------------



Terminal Plating Material	Tin
Contact Base Material	Brass
Barrel Type	Open

Termination Features

Crimp Width	2.03 mm[.08 in]
Termination Method to Wire & Cable	Crimp

Mechanical Attachment

Wire Insulation Support	Without
-------------------------	---------

Dimensions

Product Width	2.03 mm[.08 in]
Wire Size	400 – 1500 CMA
Compatible Insulation Diameter Range	.51 – .96 mm[.02 – .03 in]
Terminal Material Thickness	.41 mm[.016 in]
Product Length	5.72 mm[.225 in]

Usage Conditions

Insulation Option	Uninsulated
Operating Temperature Range	-65 – 150 °C[-85 – 302 °F]

Operation/Application

Compatible With Wire Base Material	Aluminum, Copper
------------------------------------	------------------

Industry Standards

Government Qualified Splice	No
-----------------------------	----

Packaging Features

Packaging Quantity	20000
Packaging Method	Strip

Product Compliance

[For compliance documentation, visit the product page on TE.com>](#)

EU RoHS Directive 2011/65/EU	Compliant
EU ELV Directive 2000/53/EC	Compliant
China RoHS 2 Directive MIIT Order No 32, 2016	No Restricted Materials Above Threshold
EU REACH Regulation (EC) No. 1907/2006	Current ECHA Candidate List: JUNE 2023 (235)



Candidate List Declared Against: JUNE 2023 (235)

Does not contain REACH SVHC

Halogen Content	Low Halogen - Br, Cl, F, I < 900 ppm per homogenous material. Also BFR/CFR/PVC Free
Solder Process Capability	Not reviewed for solder process capability

Product Compliance Disclaimer

This information is provided based on reasonable inquiry of our suppliers and represents our current actual knowledge based on the information they provided. This information is subject to change. The part numbers that TE has identified as EU RoHS compliant have a maximum concentration of 0.1% by weight in homogenous materials for lead, hexavalent chromium, mercury, PBB, PBDE, DBP, BBP, DEHP, DIBP, and 0.01% for cadmium, or qualify for an exemption to these limits as defined in the Annexes of Directive 2011/65/EU (RoHS2). Finished electrical and electronic equipment products will be CE marked as required by Directive 2011/65/EU. Components may not be CE marked. Additionally, the part numbers that TE has identified as EU ELV compliant have a maximum concentration of 0.1% by weight in homogenous materials for lead, hexavalent chromium, and mercury, and 0.01% for cadmium, or qualify for an exemption to these limits as defined in the Annexes of Directive 2000/53/EC (ELV). Regarding the REACH Regulation, the information TE provides on SVHC in articles for this part number is based on the latest European Chemicals Agency (ECHA) 'Guidance on requirements for substances in articles' posted at this URL: <https://echa.europa.eu/guidance-documents/guidance-on-reach>

Compatible Parts



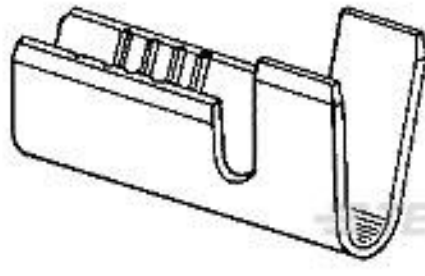
TE Part # 62194-2
MIN AMVAR SPLC 016TPBR



TE Part # 62044-1
MIN AMVAR SPL 480-1700 016BR



TE Part # 62194-5
MIN AMPLIVAR SPLICE 016 TPBR



TE Part # 141075-1
AMPLIVAR SPLICE



TE Part # 62341-1
MIN AMVAR SPL 480-1500 014TPBR



TE Part # 1742324-2
AMVAR STAKE SPLICE 020TPBR



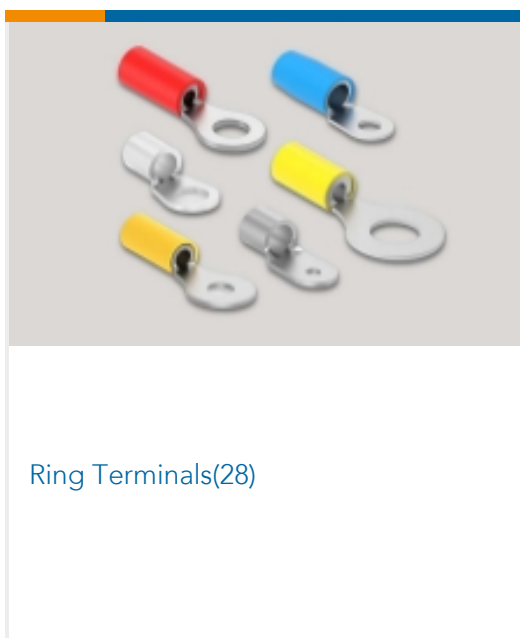
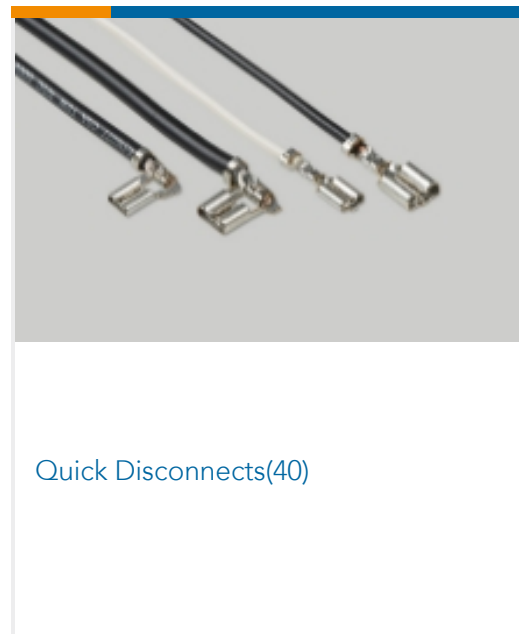
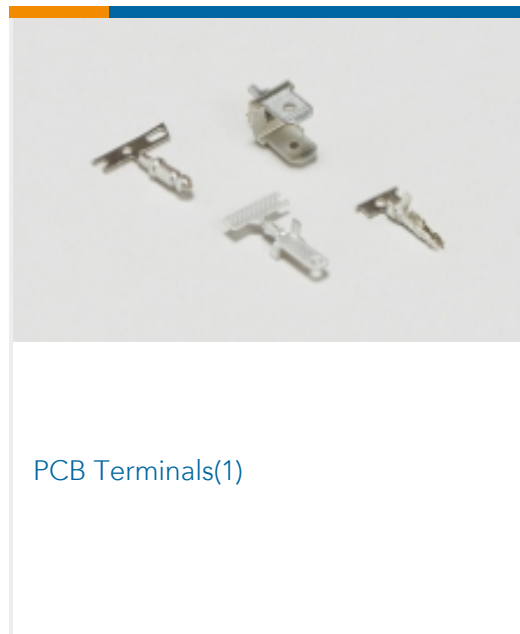
TE Part # 737060-1
AMPLIVAR SPL 5 SERR W/INS SUP



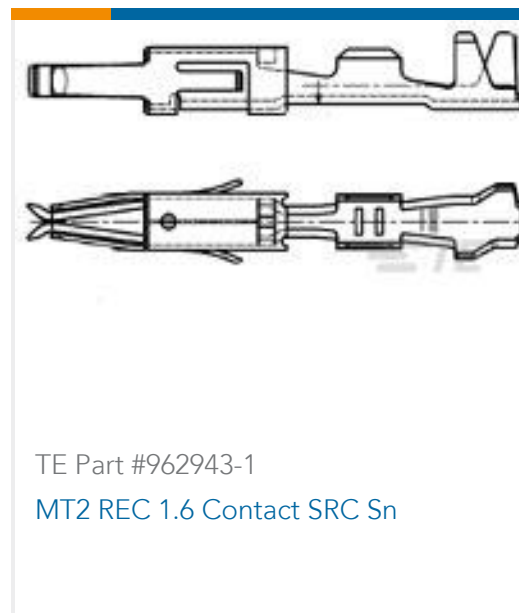
TE Part # 737060-2
AMPLIVAR SPL 5 SERR W/INS SUP

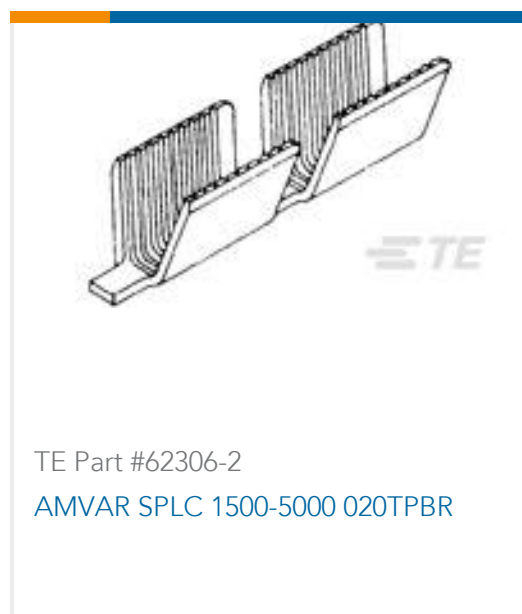


Also in the Series | AMPLIVAR



Customers Also Bought





Documents

Product Drawings

FINE MAGWIRE SPLICE, MINI-MAG SERRATION

English

CAD Files

3D PDF

3D

Customer View Model

[ENG_CVM_CVM_2825180-2_B.2d_dxf.zip](#)

English

Customer View Model

[ENG_CVM_CVM_2825180-2_B.3d_igs.zip](#)

English

Customer View Model

[ENG_CVM_CVM_2825180-2_B.3d_stp.zip](#)

English

By downloading the CAD file I accept and agree to the [Terms and Conditions](#) of use.

Datasheets & Catalog Pages

Splice for Fine Aluminum Magnet Wire

English

Product Specifications

Application Specification

English