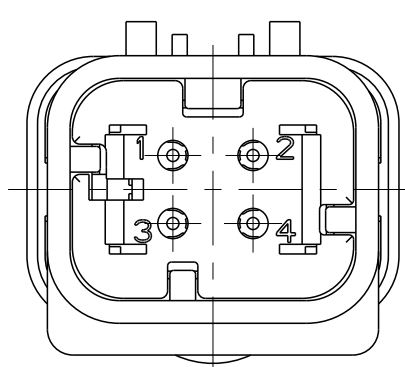
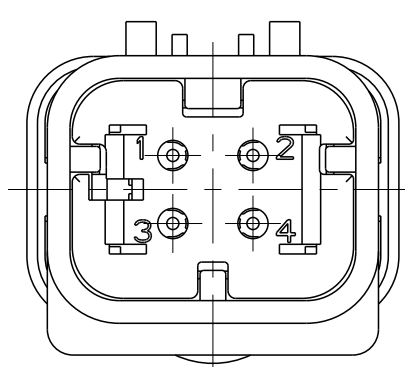


THIS DRAWING IS UNPUBLISHED  
 RELEASED FOR PUBLICATION 2005  
 © COPYRIGHT 2005 BY TYCO ELECTRONICS JAPAN G.K ALL RIGHTS RESERVED.

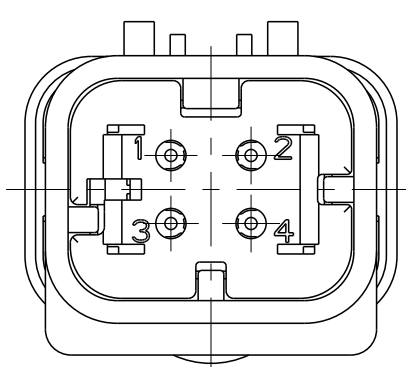
REVISIONS					
P	LTR	DESCRIPTION	DATE	DWN	APVD
	G	REVISED	20AUG2011	H.U	N.Y
	H	REVISED PER ECR-14-000206	26DEC2013	PV	RB
	HI	REVISED ECR-22-131396	03MAR2022	KF	AO



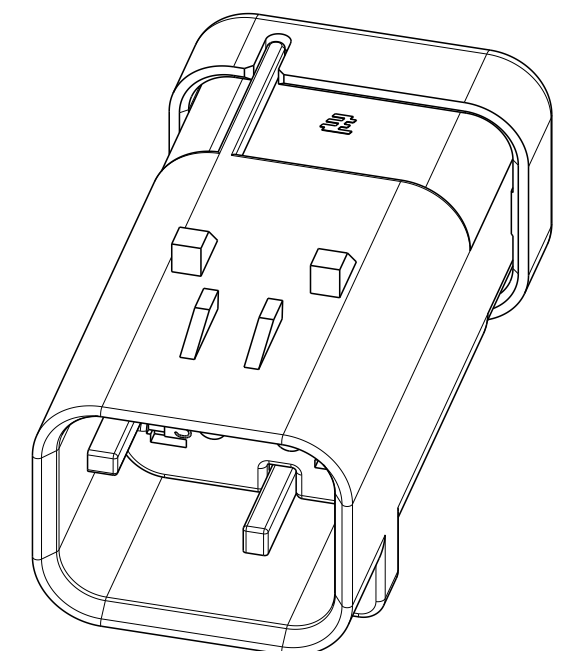
1871414-2  
SCALE 2:1



1871414-3  
SCALE 2:1

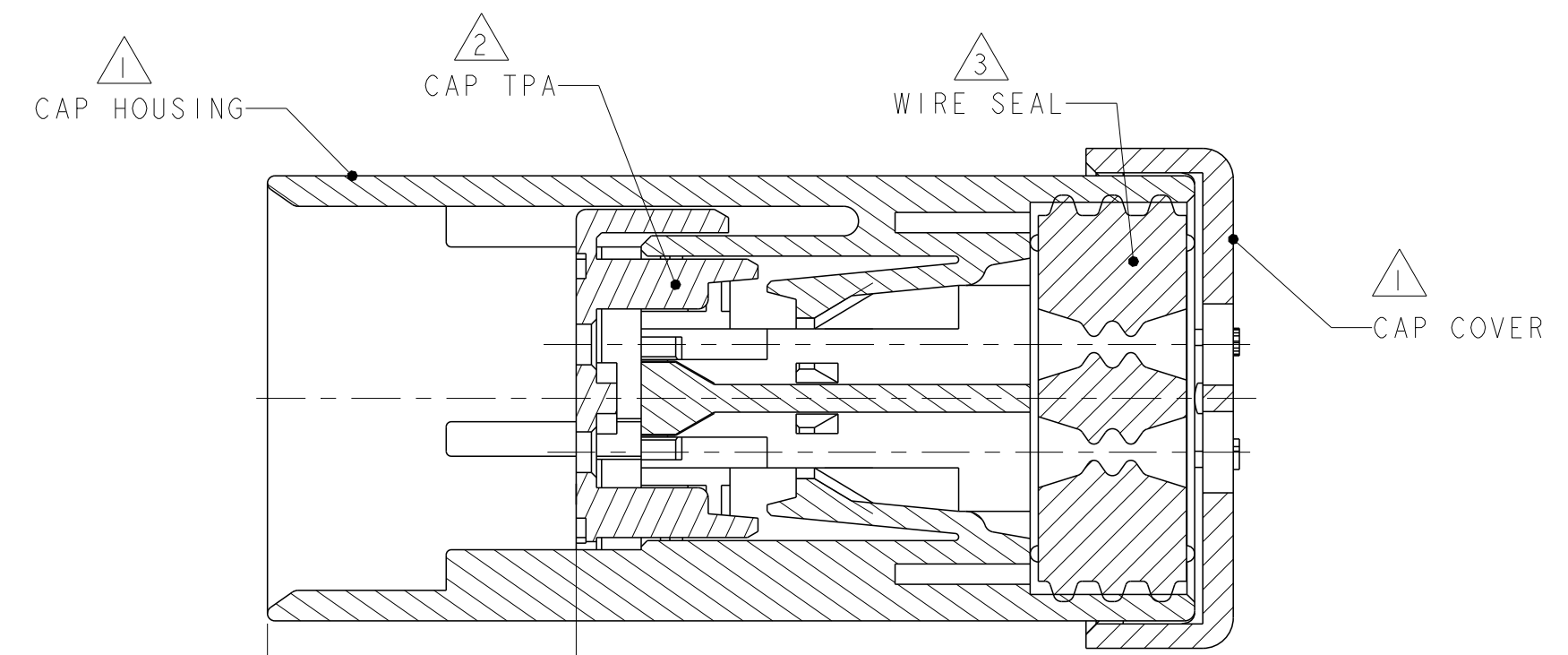


1871414-4  
SCALE 2:1



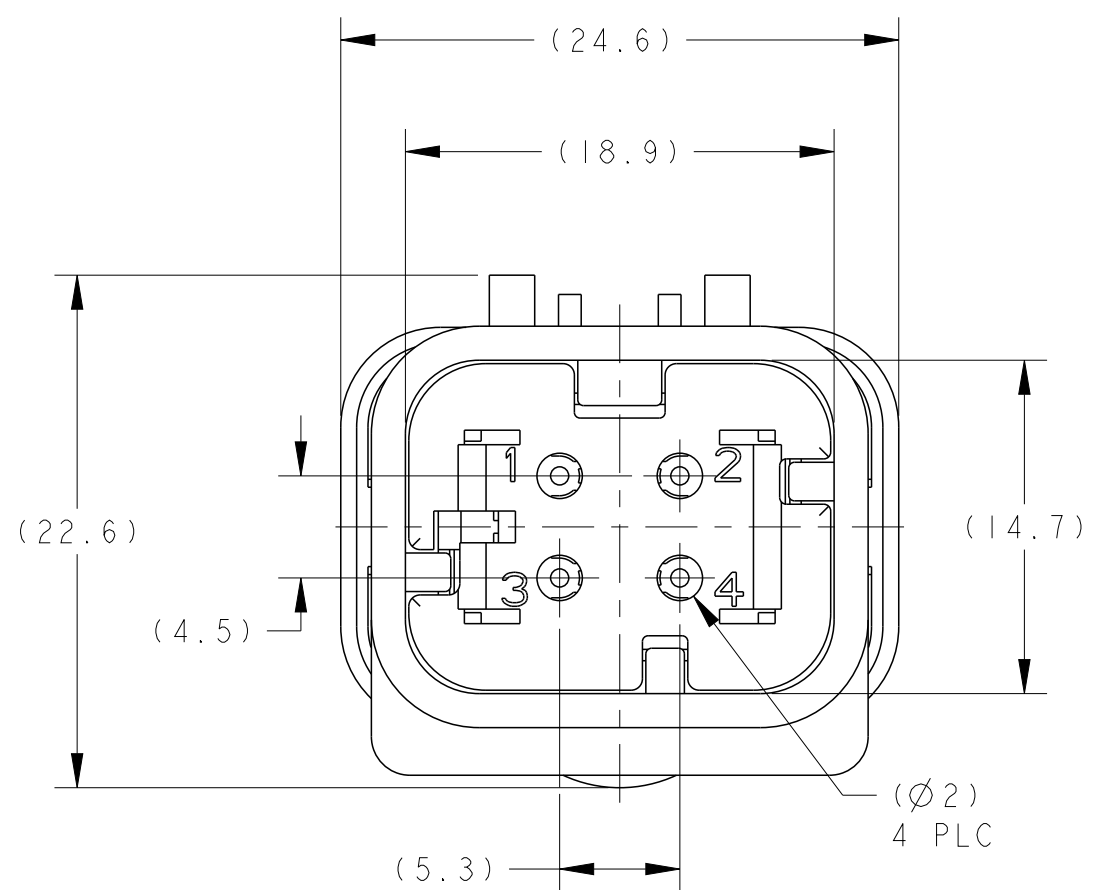
SCALE 2:1

- ① MATERIAL: 15% GLASS FILLED THERMOPLASTIC  
COLOR: BLACK
- ② MATERIAL: 15% GLASS FILLED THERMOPLASTIC  
COLOR: (SEE TABLE)
- ③ MATERIAL: SILICONE  
COLOR: RUST
- 4. WIRE INSULATION RANGE:  $\phi 1.3 \sim \phi 2.3$
- ⑤ OBSOLETE PARTS

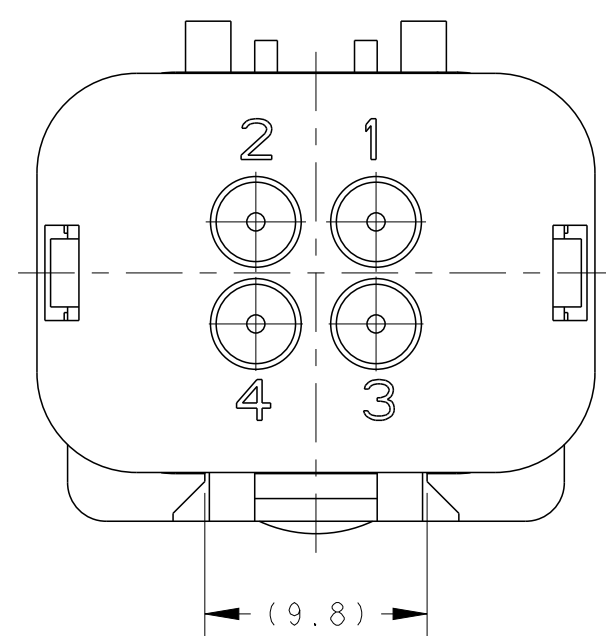
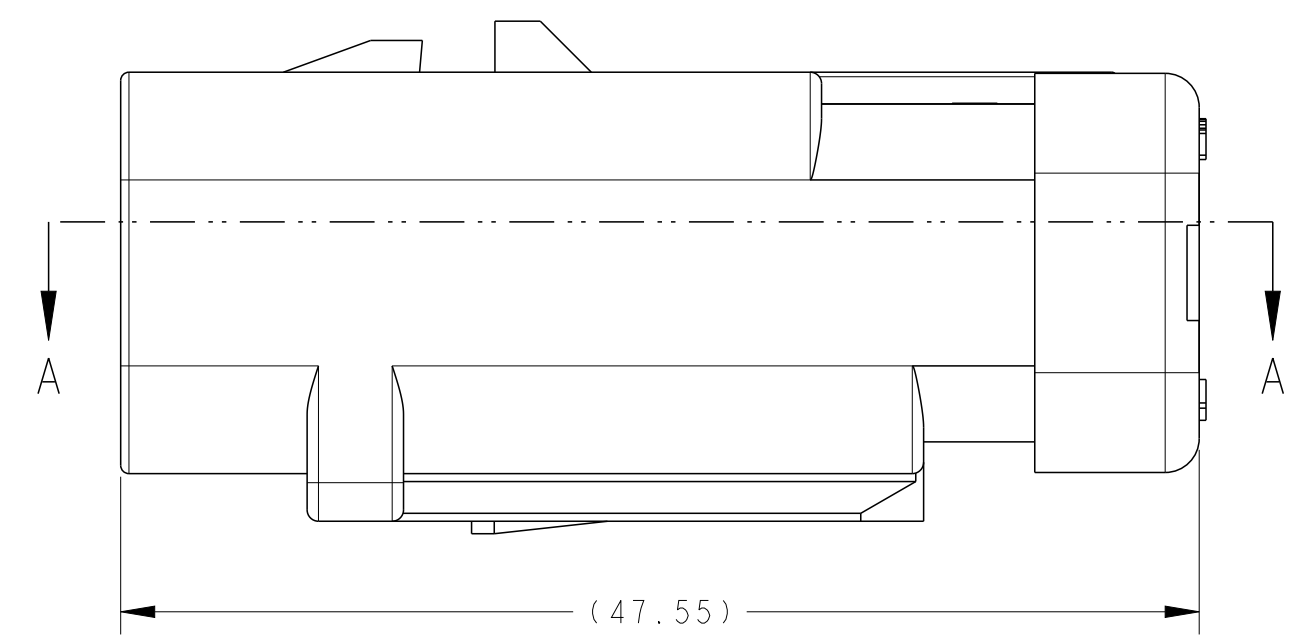


(15.2) WITH TPA IN  
PRELATCH POSITION

SECTION A-A



1871414-1 SHOWN



⑤ OBSOLETE	GREEN	1871414-4
	YELLOW	1871414-3
	GRAY	1871414-2
	RED	1871414-1
TPA COLOR		PART NUMBER

THIS DRAWING IS A CONTROLLED DOCUMENT.		DWN Y. KATO 21DEC2005	TE Connectivity				
DIMENSIONS: mm		CHK J. AKASAKA 28DEC2005					
TOLERANCES UNLESS OTHERWISE SPECIFIED:		APVD D. MITSUGI 28DEC2005	NAME CAP ASSY, 4 POS. BRACKET REVERSE TYPE SMALL WIRE SIZE AMP SEAL 16				
0 PLC ± 1 PLC ± 2 PLC ± 3 PLC ± 4 PLC ± ANGLES ± FINISH -		PRODUCT SPEC 108-2184	SIZE A2	CAGE CODE 00779	DRAWING NO C-1871414	RESTRICTED TO -	
MATERIAL -		APPLICATION SPEC 114-13065	SCALE 3:1		SHEET 1	OF 1	REV HI
-		WEIGHT -	CUSTOMER DRAWING				