

Product data sheet

Specifications



Preventa XY2 AU, Enabling switch, 2 NO + 1 NC, double insulated

XY2AU1

❗ Discontinued on: 01 October 2021

❗ Discontinued

Main

Range of product	Preventa XY2
Product or component type	Enabling switch
Component name	XY2AU
Enclosure type	Double insulated

Complementary

Contacts type and composition	2 NO + 1 NC
Operator position information	3 positions
Enclosure material	PA66
Connections - terminals	Terminal block, 1 x 0.34...1 x 1.5 mm ²
Mechanical durability	1000000 cycles
Cable entry	1 entry 7...13 mm
Contact code designation	C300 AC-15, U _e = 125 V, I _e = 0.75 A conforming to IEC 60947-5-1 appendix A C300 AC-15, U _e = 250 V, I _e = 1.5 A conforming to IEC 60947-5-1 appendix A R300 DC-13, U _e = 125 V, I _e = 0.22 A conforming to IEC 60947-5-1 appendix A R300 DC-13, U _e = 250 V, I _e = 0.1 A conforming to IEC 60947-5-1 appendix A
[I _{th}] conventional enclosed thermal current	5 A
[U _i] rated insulation voltage	250 V inside (pollution degree 2) conforming to IEC 60947-1 250 V outside (pollution degree 3) conforming to IEC 60947-1
[U _{imp}] rated impulse withstand voltage	2.5 kV conforming to EN 60947-1
Positive opening	With conforming to IEC 60947-5-1 appendix K
Contact operation	Slow-break
Operating force	12 N 50 N
Short-circuit protection	4 A fuse protection by cartridge fuse type gG
Net weight	0.31 kg

Environment

Standards	CSA C22.2 No 14 EN/IEC 60947-5-1 CULus 508 EN/IEC 60947-1
-----------	--

Protective treatment	TC
Ambient air temperature for operation	-10...60 °C
Ambient air temperature for storage	-40...70 °C
Vibration resistance	6 gn (f= 5...55 Hz) conforming to IEC 60068-2-6
Shock resistance	10 gn for 11 ms conforming to IEC 60068-2-27
Electrical shock protection class	Class II conforming to EN/IEC 61140
IP degree of protection	IP66 conforming to IEC 60529
IK degree of protection	IK06 conforming to EN 50102

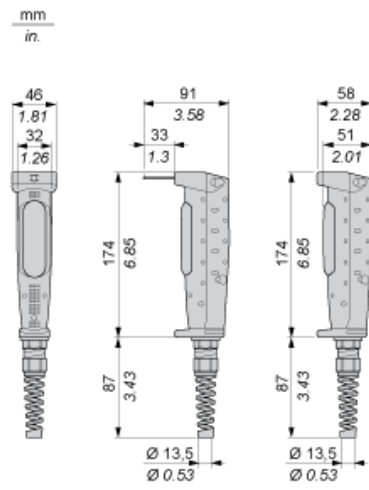
Offer Sustainability

REACH Regulation	REACH Declaration
REACH free of SVHC	Yes
EU RoHS Directive	Pro-active compliance (Product out of EU RoHS legal scope) EU RoHS Declaration
Toxic heavy metal free	Yes
Mercury free	Yes
China RoHS Regulation	China RoHS declaration
RoHS exemption information	Yes
WEEE	The product must be disposed on European Union markets following specific waste collection and never end up in rubbish bins
California proposition 65	WARNING: This product can expose you to chemicals including: Nickel compounds, which is known to the State of California to cause cancer, and Di-isodecyl phthalate (DIDP), which is known to the State of California to cause birth defects or other reproductive harm. For more information go to www.P65Warnings.ca.gov

Contractual warranty

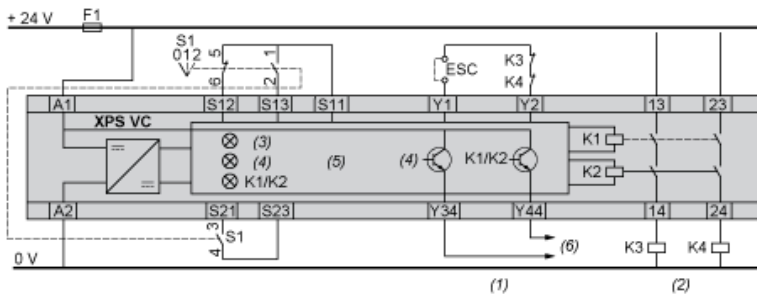
Warranty	18 months
----------	-----------

Dimensions

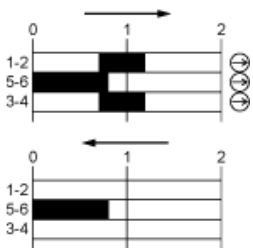


Wiring Diagram Example

With XPSVC Safety Module



- ESC external start conditions
- (1) 2 solid state outputs
- (2) 2 safety outputs
- (3) supply A1/A2
- (4) fault
- (5) logic
- (6) to PLC



contact closed

contact open

N/C contact with positive opening operation

Recommended replacement(s)