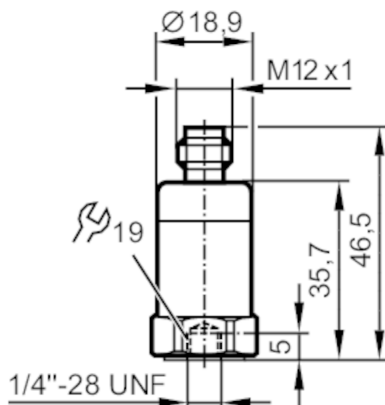


VSP001



Acceleration sensor

VIBRATION SENSOR



Product characteristics		
Measuring range of vibration	[g]	-80...80; (-50...50 g when connected to a VSE)
Frequency range	[Hz]	2...10000
Measuring principle		piezoelectric
Communication interface		IEPE
Application		
Design		for connection to external diagnostic electronics VSE
Electrical data		
Bias voltage DC	[V]	10...12
Current consumption	[mA]	0.5...8
Min. insulation resistance	[MΩ]	100; (500 V DC)
Reverse polarity protection		yes
Measuring/setting range		
Measuring range of vibration	[g]	-80...80; (-50...50 g when connected to a VSE)
Frequency range	[Hz]	2...10000
Measuring principle		piezoelectric
Noise density	[mg]	0.1
Max. transverse sensitivity	[%]	5
Minimum measuring time	[s]	2
Number of measurement axes		1
Accuracy / deviations		
Accuracy		± 5 %
Measuring sensitivity		100 mV/g
Interfaces		
Communication interface		IEPE
Operating conditions		
Ambient temperature	[°C]	-55...125
Storage temperature	[°C]	-55...125

VSP001



Acceleration sensor

VIBRATION SENSOR

Protection	IP 67
------------	-------

Tests / approvals

EMC	EN 61326-1	: 2013
Shock resistance		5000 g
MTTF [years]		1142

Mechanical data

Weight [g]	73.5
Type of mounting	set screw
Materials	housing: stainless steel
Tightening torque [Nm]	8

Accessories

Items supplied	set screws
----------------	------------

Remarks

Pack quantity	1 pcs.
---------------	--------

Electrical connection

Connector: 1 x M12; coding: A; Maximum cable length: 1000 m



1	not used
2	IEPE +
3	not used
4	IEPE -