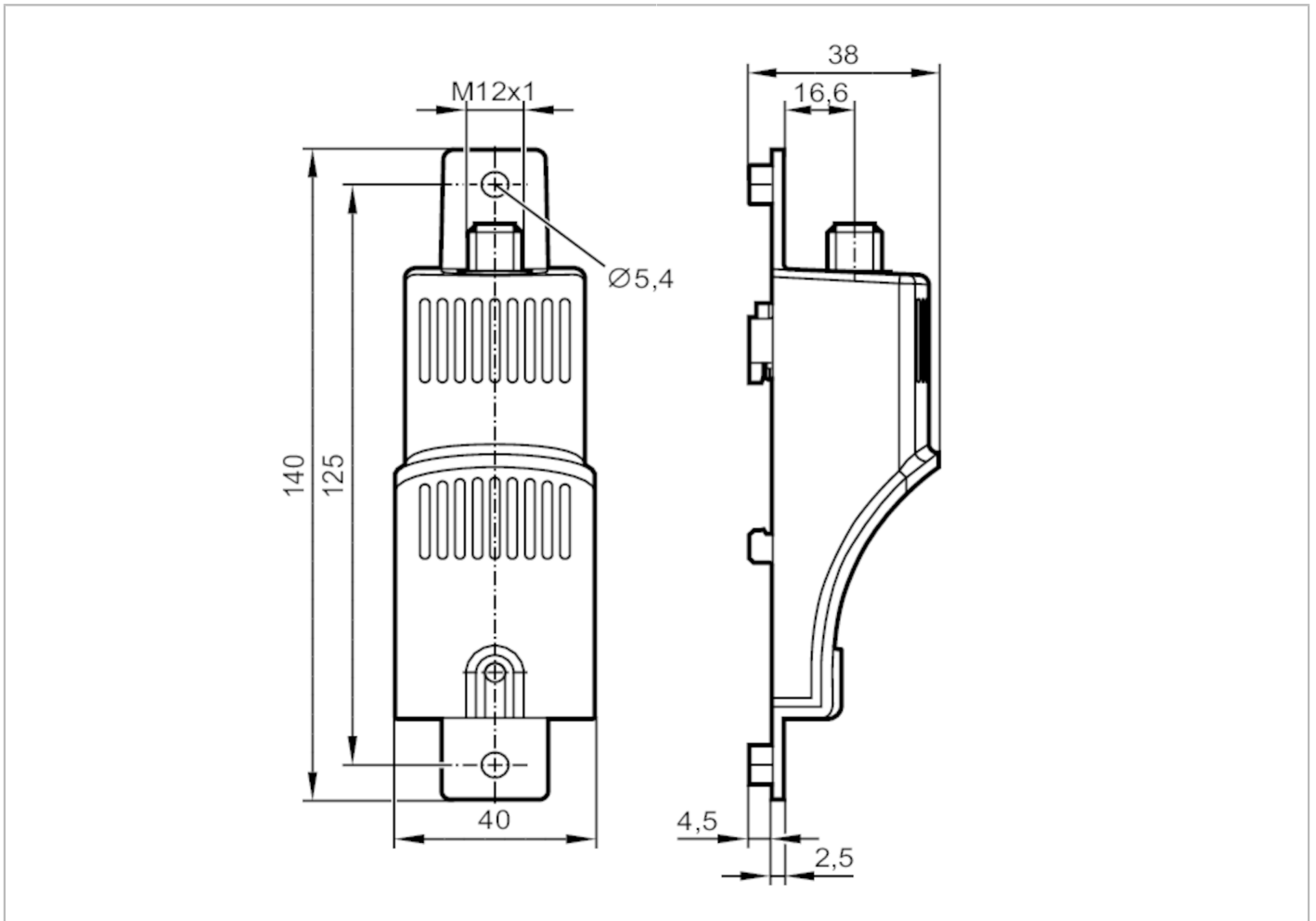


LDH292



Air humidity sensor

AIR HUMIDITY SENSOR IO-LINK



Product characteristics

Number of inputs and outputs	Number of digital outputs: 1
------------------------------	------------------------------

Application

Special feature	Gold-plated contacts
-----------------	----------------------

Electrical data

Operating voltage [V]	18...30 DC
Current consumption [mA]	13
Protection class	III
Reverse polarity protection	yes
Power-on delay time [s]	< 1
Measuring principle	capacitive

Inputs / outputs

Number of inputs and outputs	Number of digital outputs: 1
------------------------------	------------------------------

Outputs

Total number of outputs	1
Output signal	IO-Link
Number of digital outputs	1

LDH292



Air humidity sensor

AIR HUMIDITY SENSOR IO-LINK

Measuring/setting range		
Measuring range	[% RH]	0...100
Temperature measurement		
Measuring range	[°C]	-40...80
Accuracy / deviations		
Accuracy	[% RH]	3; (in the range 20...80 % RH)
Resolution	[% RH]	0,1
Temperature measurement		
Accuracy	[K]	± 0,3
Resolution	[K]	0.1
Response times		
Response time	[s]	< 30; (T90)
Temperature measurement		
Response time	[s]	< 300; (T90)
Interfaces		
Communication interface	IO-Link	
Transmission type	COM2 (38,4 kBaud)	
IO-Link revision	1.1	
Profiles	Identification and Diagnosis (0x4000), Measurement Data Channel (0x800A)	
SIO mode	no	
Required master port type	A	
Min. process cycle time	[ms]	4.5
Supported DeviceIDs	Type of operation	DeviceID
	Default	1337
Operating conditions		
Ambient temperature	[°C]	-40...80
Note on ambient temperature	application humidity: ≤ 90 % RH non condensing	
Storage temperature	[°C]	-40...85
Note on storage temperature	storage humidity: ≤ 90 % RH non condensing	
Protection	IP 20; (only sensor: IP 57)	
Tests / approvals		
EMC	DIN EN 61000-6-2	
	DIN EN 61000-6-4	
MTTF	[years]	195
UL approval	File number UL	E224228
Mechanical data		
Weight	[g]	70
Type of mounting	DIN rail clip for 35 mm DIN rail (EN 60715); screw mounting; (M5)	
Dimensions	[mm]	140 x 40 x 38
Materials	plastics UL94 V-0; light grey	
Installation position	vertical; connector facing upwards	

LDH292



Air humidity sensor

AIR HUMIDITY SENSOR IO-LINK

Remarks

Pack quantity

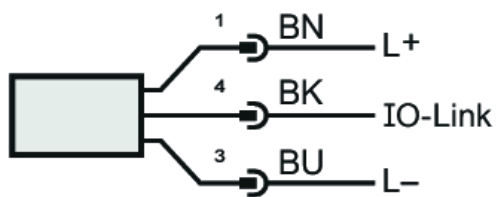
1 pcs.

Electrical connection

Connector: 1 x M12 (EN 61067-2-101); coding: A; Contacts: gold-plated



Connection



colours to DIN EN 60947-5-2

Core colours :

BK = black
BN = brown
BU = blue