

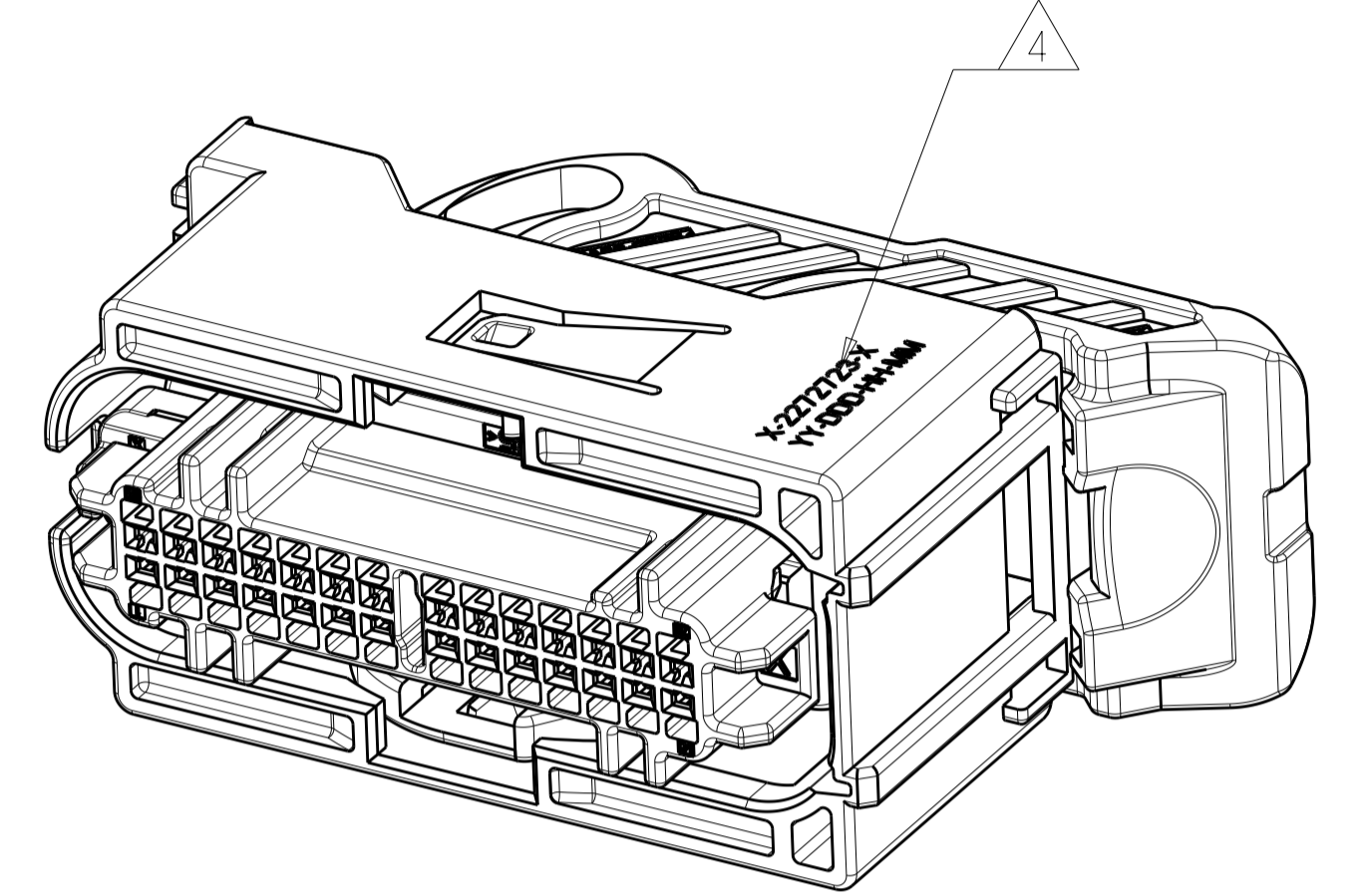
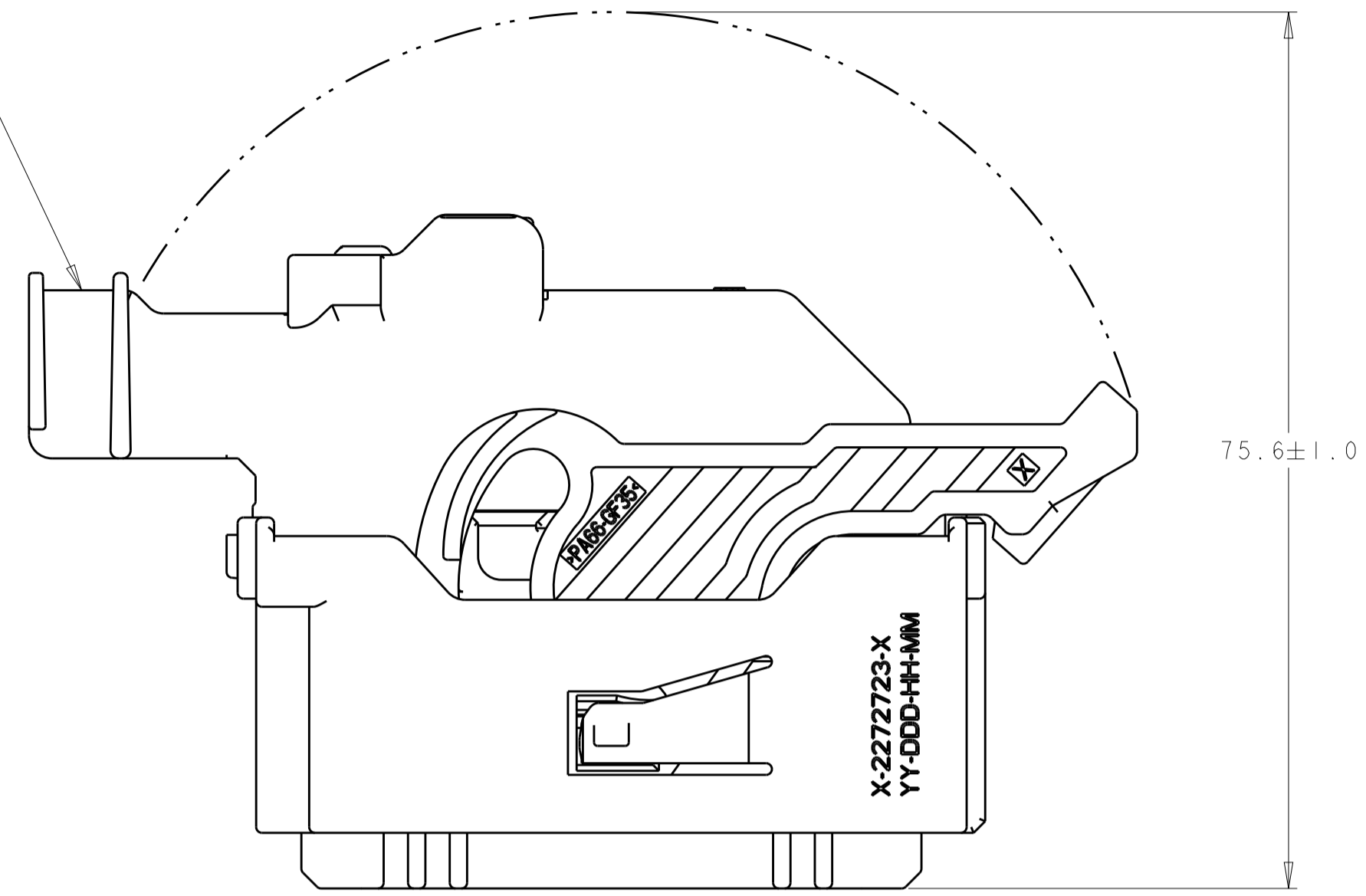
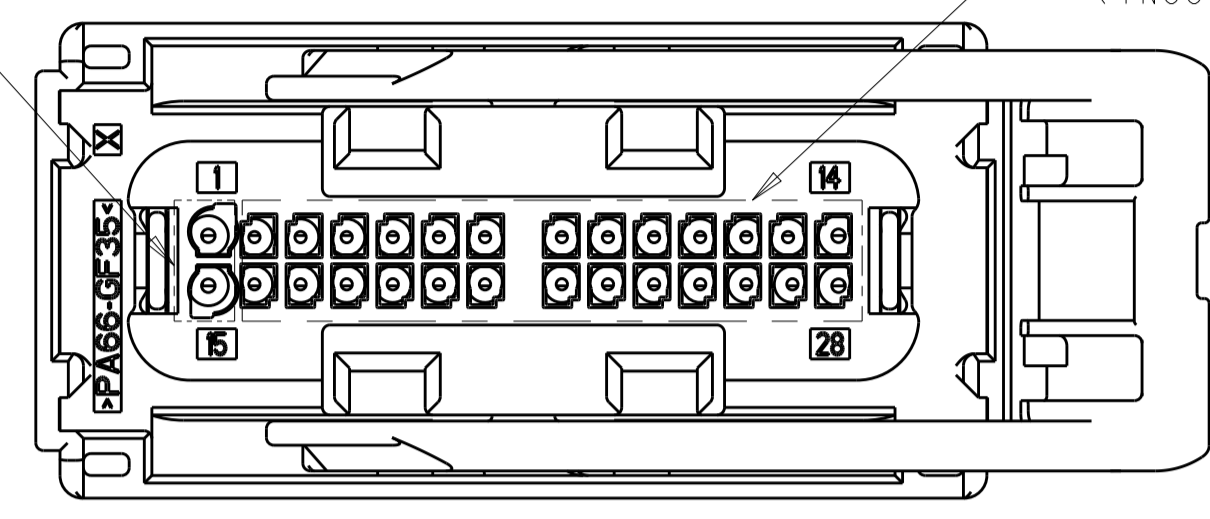
LOC	DIST	REVISIONS			
P	LTN	DESCRIPTION	DATE	DWN	APVD
A		RELEASED PER ECO-16-000931	22JAN2016	AJV	AJV
A1		REVISED PER ECR-17-000786	20JAN2017	AP	AJV
A2		REVISED PER ECO-17-013588	15SEP2017	JMS	GM
A3		REVISED PER ECO-18-007753	17MAY2018	JMS	GM

WIRE DRESS EXIT- LEFT

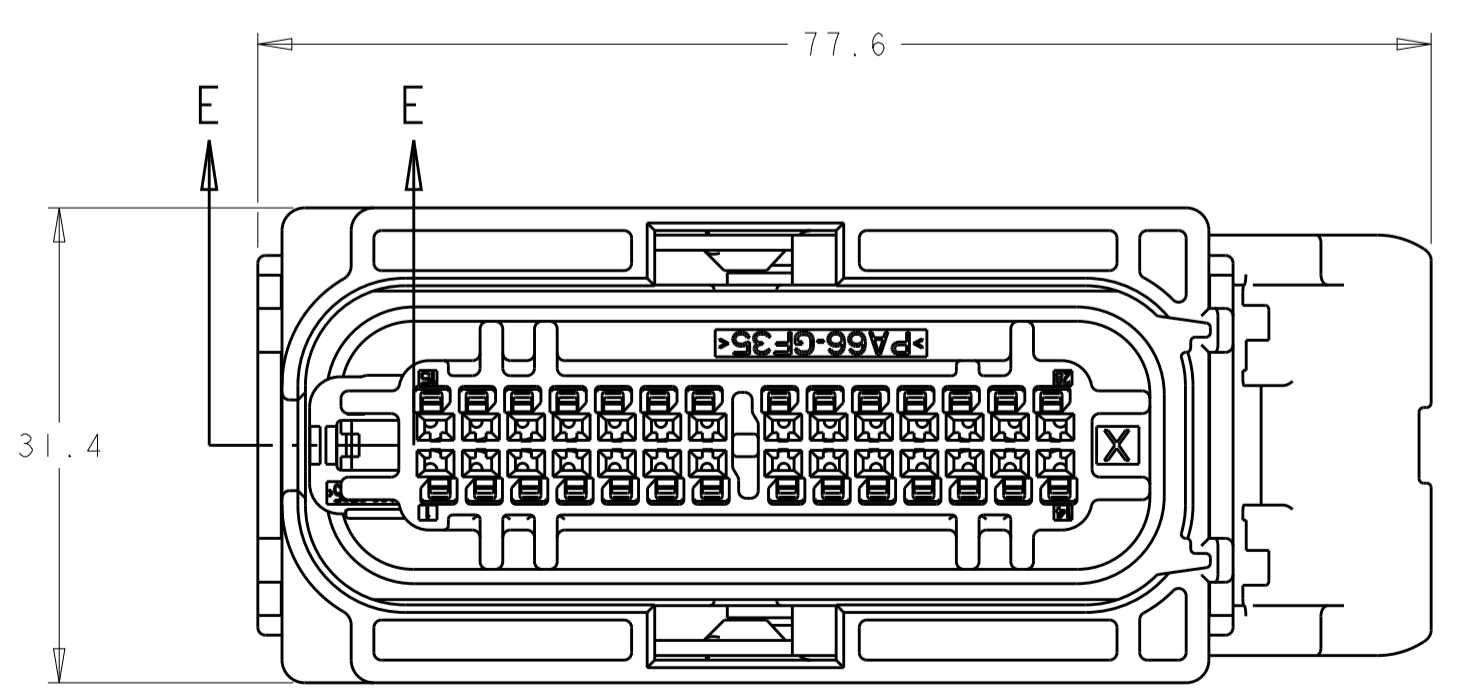
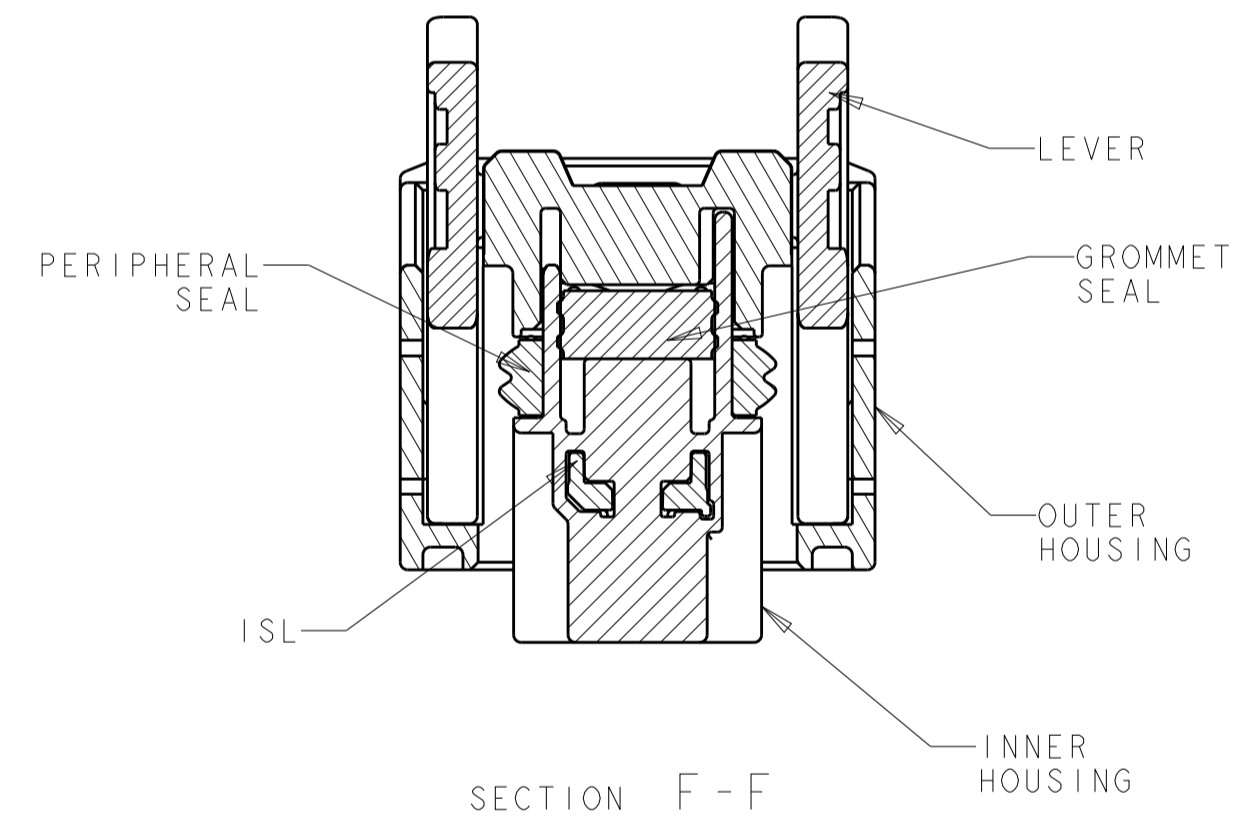
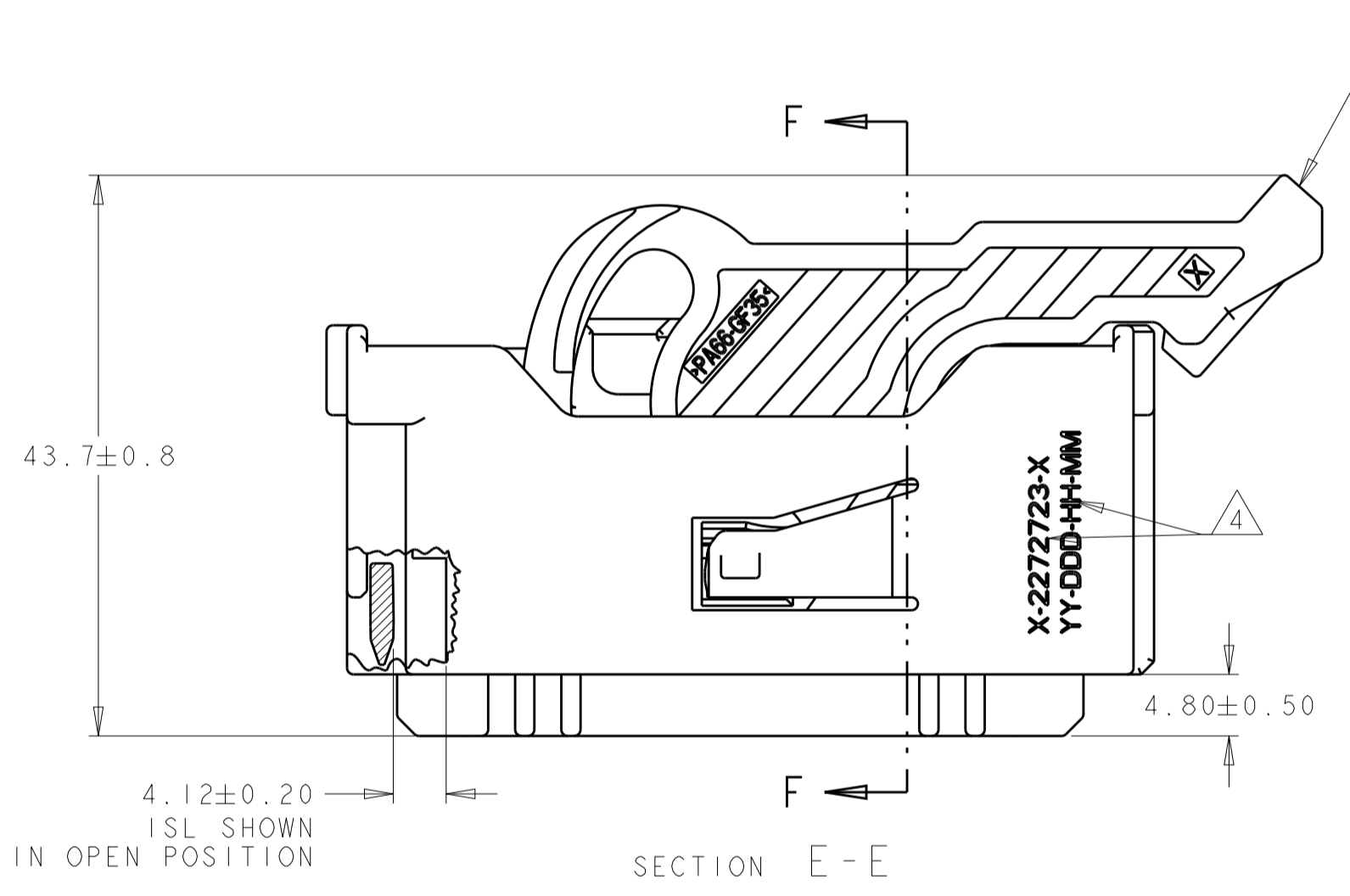
WIRE DRESS ASSEMBLY, 2272724-1.  
 (FORD EU5T-14N003-JA), IS REQUIRED  
 AND SOLD SEPERATELY

2 CIRCUITS ACCEPT WIRE  
 SIZE 0.5- 1.5 SQ.MM.  
 (INSULATION OD 1.4-2.4mm)

26 CIRCUITS ACCEPT  
 WIRE SIZE 0.5-0.75 SQ.MM.  
 (INSULATION OD 1.4-1.9mm)



FEMALE ASSEMBLY SHOWN WITH  
 WIRE DRESS COVER INSTALLED



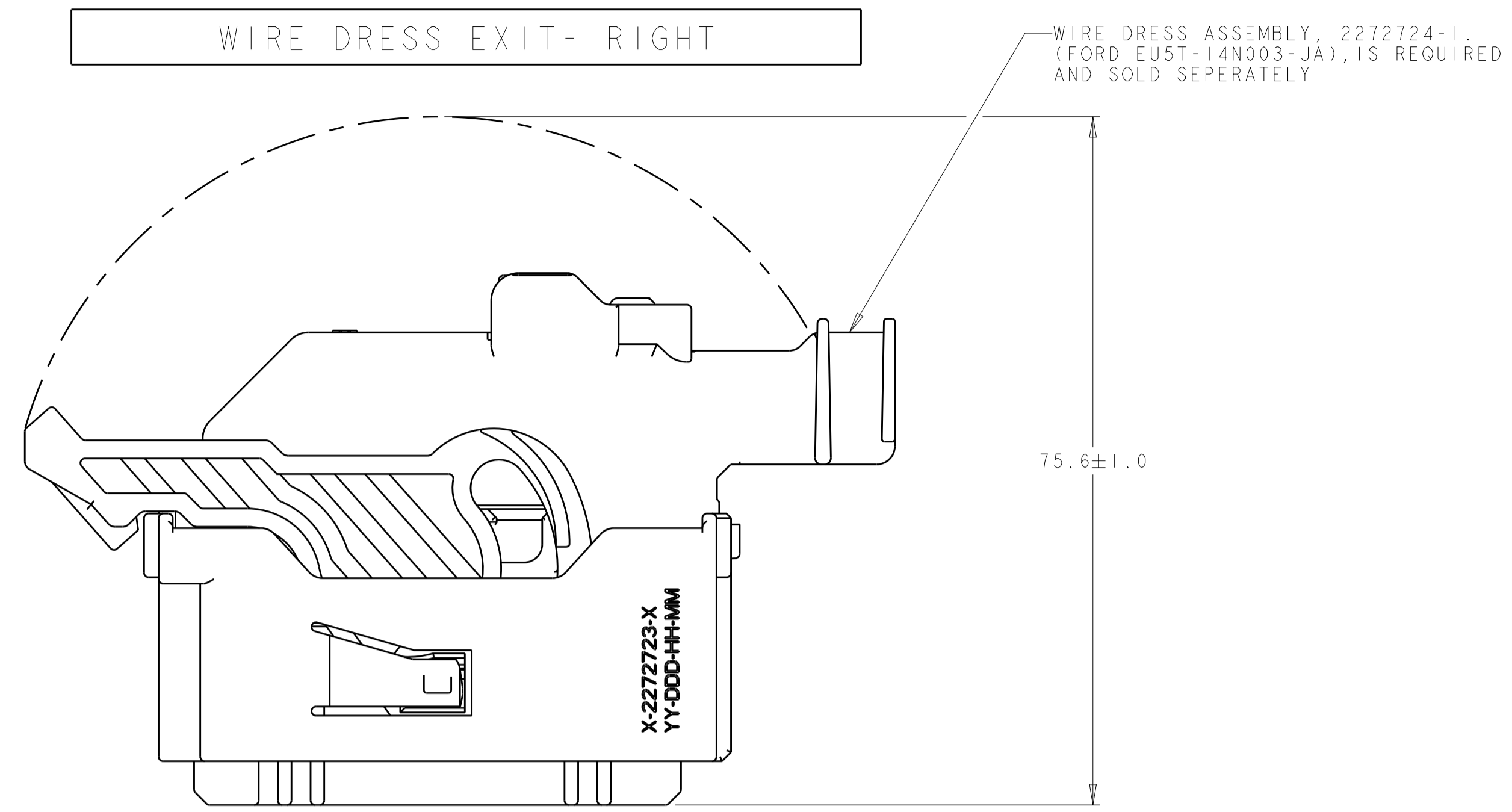
2272723-1 SHOWN IN GENERAL VIEWS

- △ MATERIALS:  
 OUTER HOUSING: NYLON 6/6, 35% GLASS-FILLED, BLACK  
 INNER HOUSING: NYLON 6/6, 35% GLASS-FILLED, BLACK  
 ISL: NYLON 6/6, 35% GLASS-FILLED, BEIGE  
 LEVER: NYLON 6/6, 35% GLASS-FILLED, GRAY  
 PERIPHERAL SEAL: SILICONE RUBBER, LIGHT BLUE  
 GROMMET SEAL: SILICONE RUBBER, LIGHT BLUE
- 2. MATING HEADER ASSEMBLY: 2272728-X(FORD EU5T-14262-CA)
- 3. APPLICABLE MCON TERMINALS (Ag PLATING):  
 1670144-3 (0.5 - 0.75 sq.mm)  
 1452503-3 (1.0- 1.5 sq.mm)
- △ 4. TE ASSEMBLY PART NUMBER AND JULIAN DATE CODE  
 LOCATED APPROXIMATELY AS SHOWN.
- 5. SEE SHEET 3 FOR PART NUMBER TABLE WITH  
 KEYING AND CIRCUIT CONFIGURATION OPTIONS.

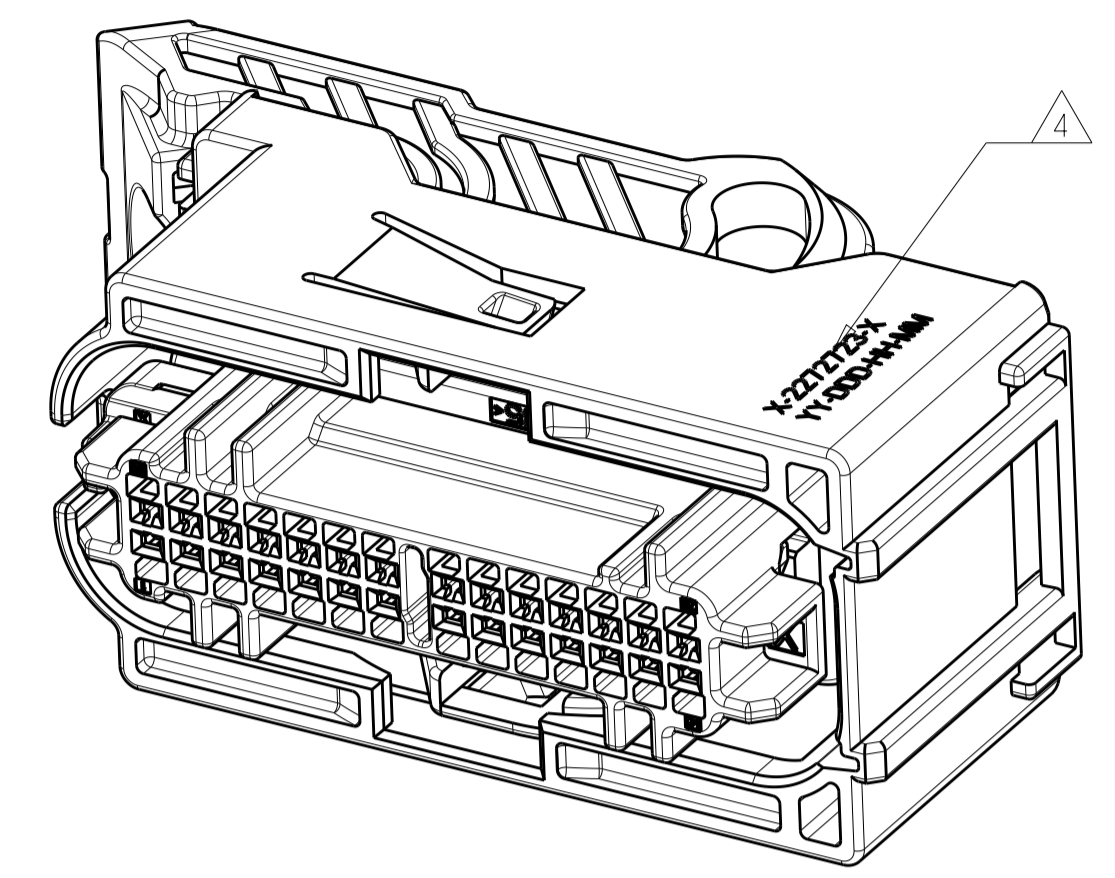
THIS DRAWING IS A CONTROLLED DOCUMENT.		OWN: CHETHAN K. 20MAY2014	
DIMENSIONS: mm		CHK: A. VASBINDER 22MAY2014	
TOLERANCES UNLESS OTHERWISE SPECIFIED:		APVD: A. VASBINDER 24MAY2014	NAME: FEMALE ASSEMBLY, SEALED
0 PLC ±	1 PLC ±0.3	PRODUCT SPEC: 108-32096	28 POSITION, GFx TRANS
2 PLC ±0.10	3 PLC ±	APPLICATION SPEC: 408-32140	MCON CLEAN BODY-FORD
4 PLC ±	ANGLES ±°	WEIGHT: -	SIZE: A100779C=2272723
MATERIAL: △	FINISH: -	CUSTOMER DRAWING	RESTRICTED TO: -
SCALE: 2:1			SHEET 1 OF 3
REV: A3			

LOC	DIST	REVISIONS			
P	LTN	DESCRIPTION	DATE	DMN	APVD
-	-	SEE SHEET 1	-	-	-

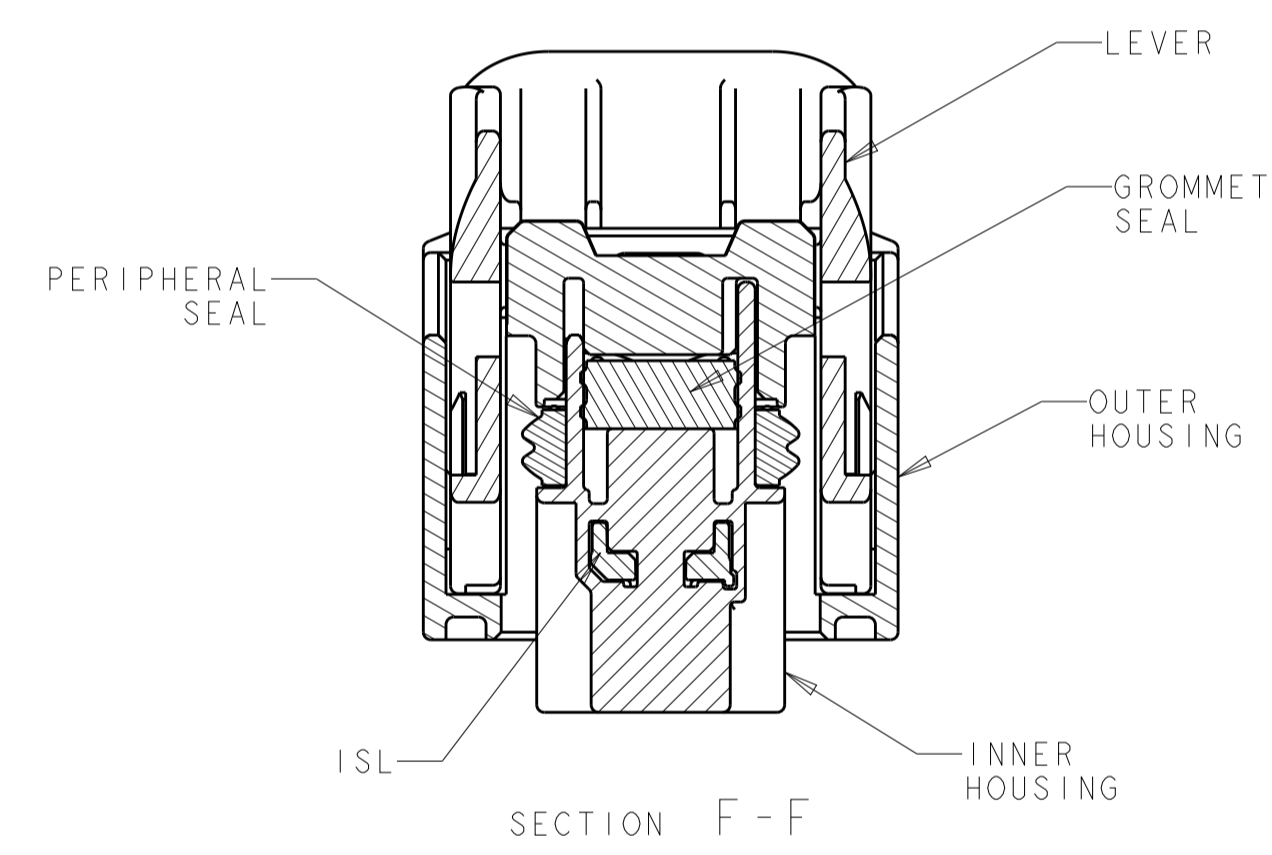
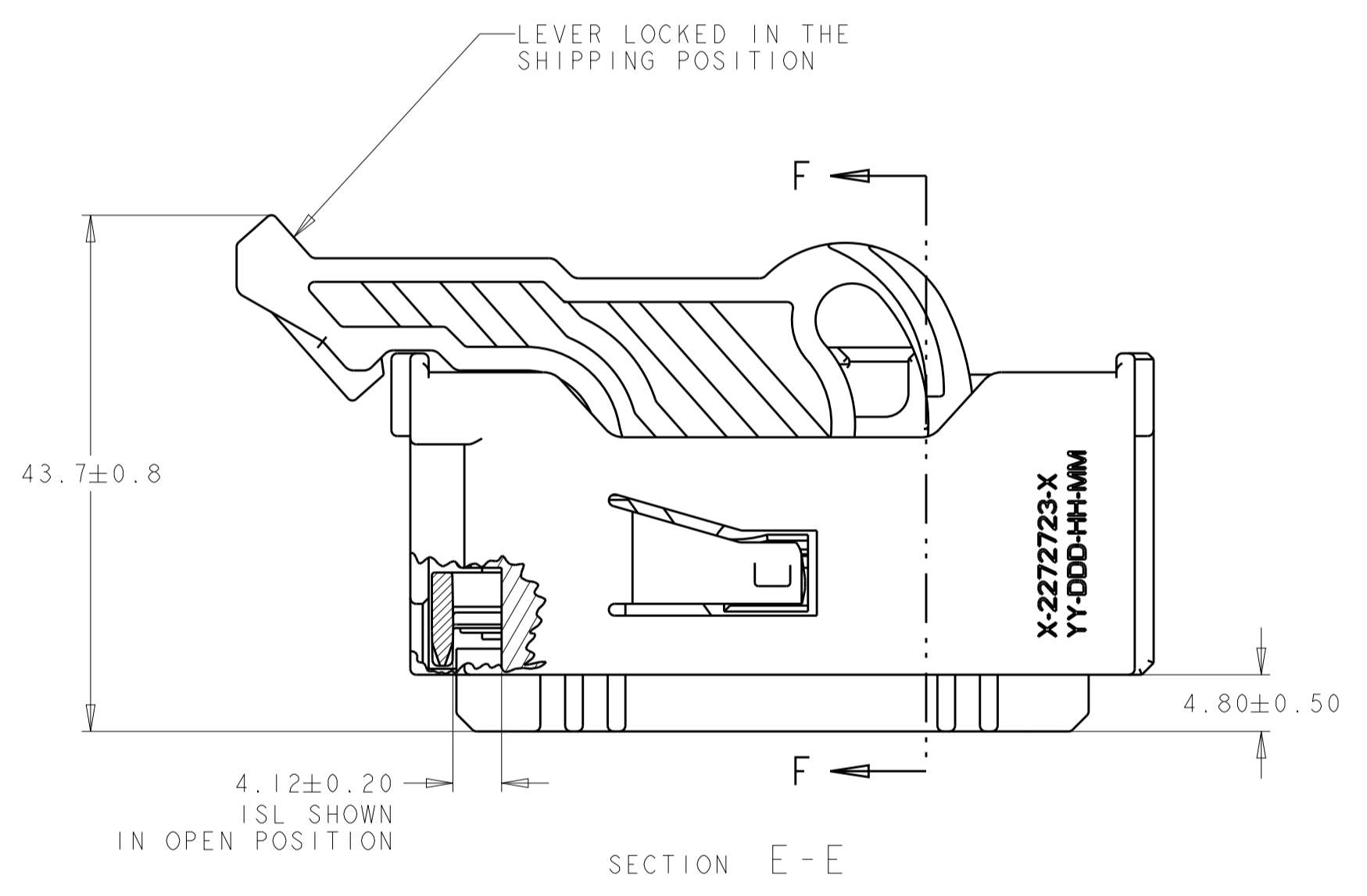
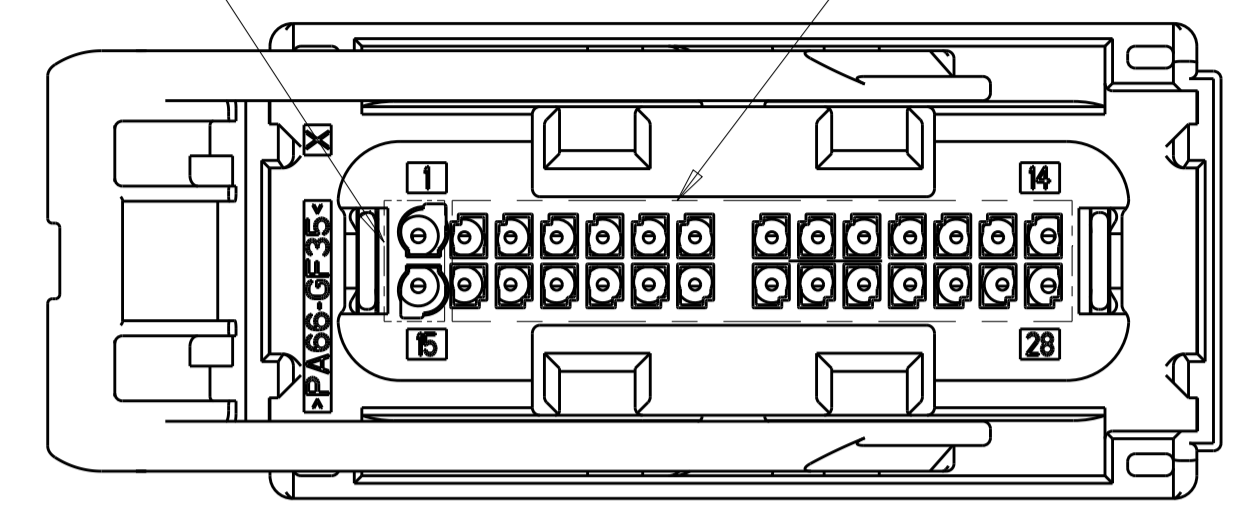
WIRE DRESS EXIT- RIGHT



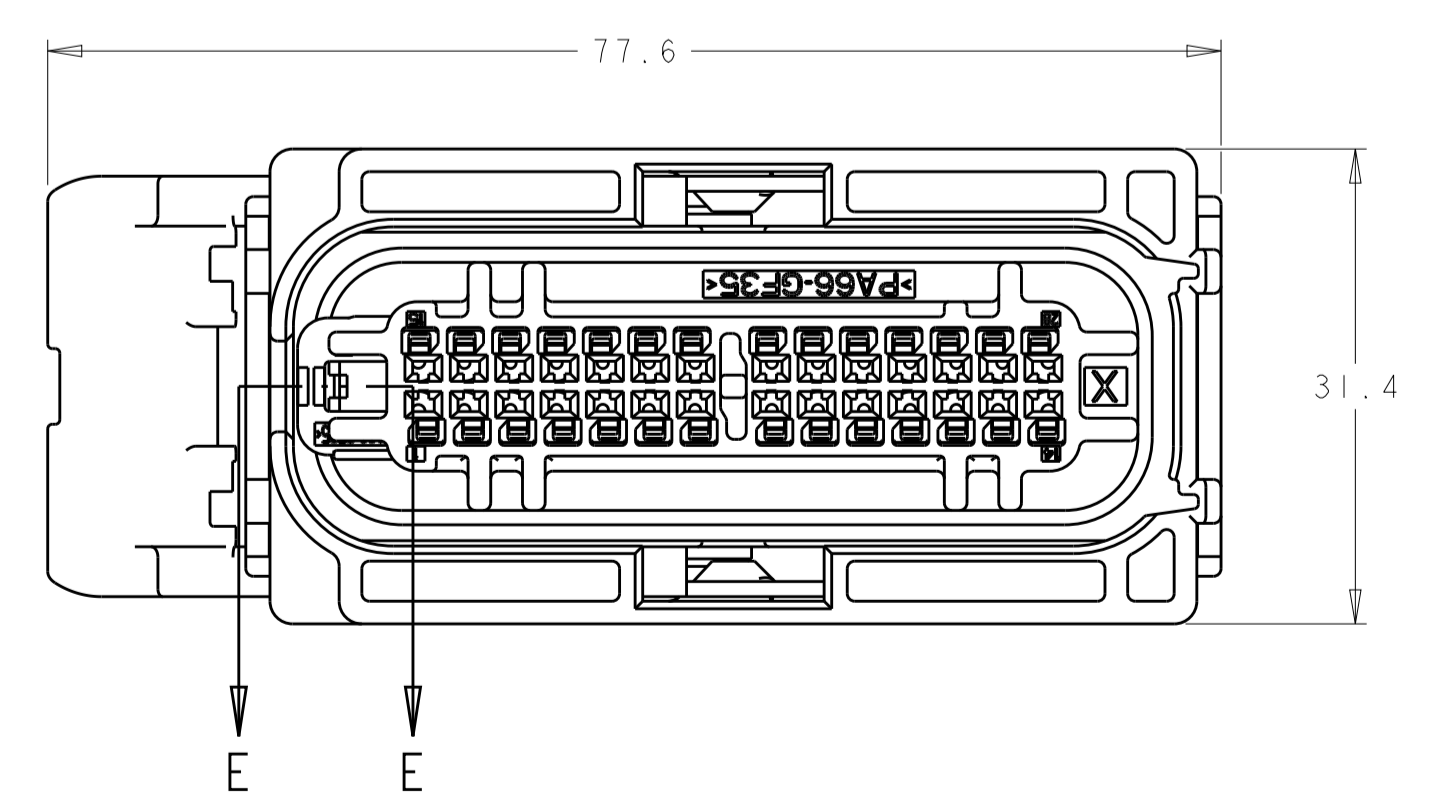
FEMALE ASSEMBLY SHOWN WITH WIRE DRESS COVER INSTALLED



CIRCUITS ACCEPT WIRE SIZE 0.5- 1.5 SQ.MM. (INSULATION OD 1.4-2.4mm)  
 26 CIRCUITS ACCEPT WIRE SIZE 0.5-0.75 SQ.MM. (INSULATION OD 1.4-1.9mm)

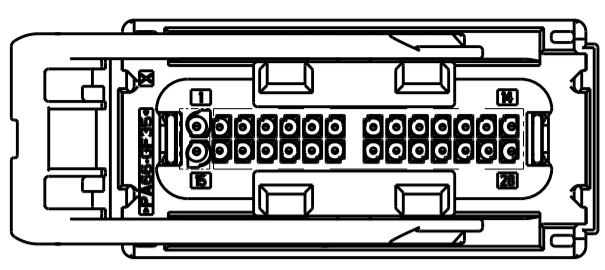


5-2272723-1 SHOWN IN GENERAL VIEWS

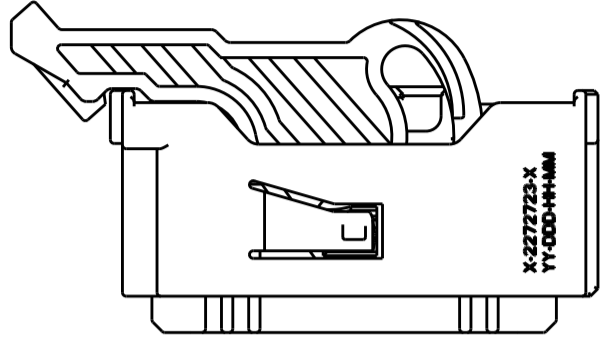


THIS DRAWING IS A CONTROLLED DOCUMENT.		DMN CHETHAN K 20MAY2014		
DIMENSIONS:		CHK A. VASBINDER 22MAY2014		
mm	TOLERANCES UNLESS OTHERWISE SPECIFIED:	APVD A. VASBINDER 24MAY2014	NAME FEMALE ASSEMBLY, SEALED 28 POSITION, GFx TRANS MCON CLEAN BODY-FORD	
0 PLC	±	PRODUCT SPEC	SIZE A100779C=2272723	
1 PLC	±0.3	APPLICATION SPEC	RESTRICTED TO	
2 PLC	±0.10	408-32140	SCALE 2:1 SHEET 2 OF 3 REV A3	
3 PLC	±	WEIGHT		
4 PLC	±	CUSTOMER DRAWING		
ANGLES	±°			
FINISH				

LOC	DIST	REV	DATE	BY	APPV
		1			
		2			
		3			

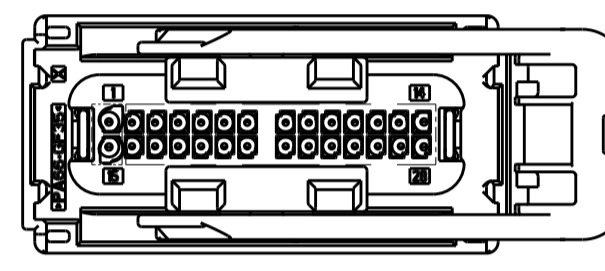
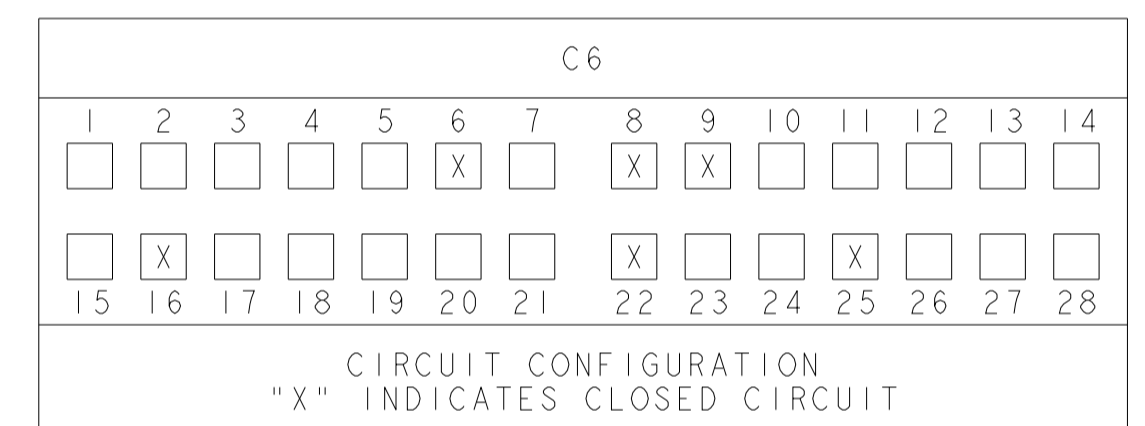
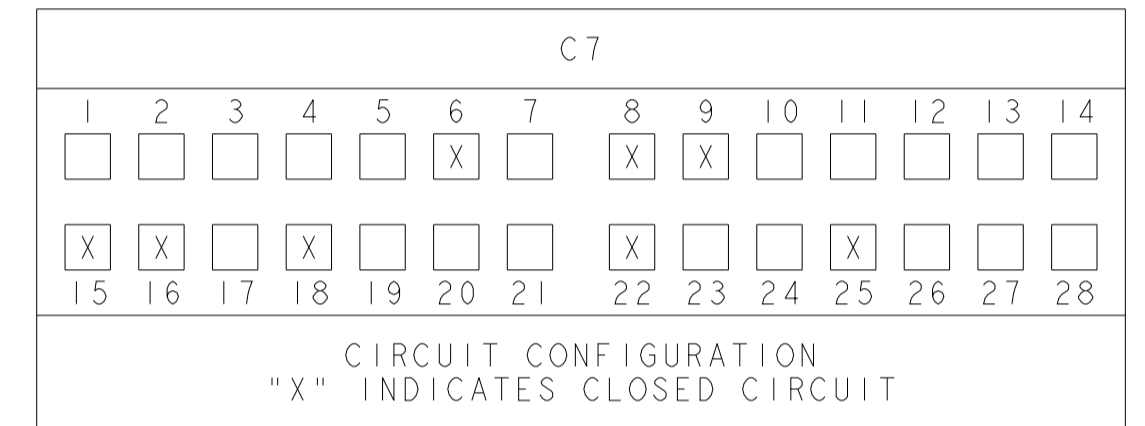
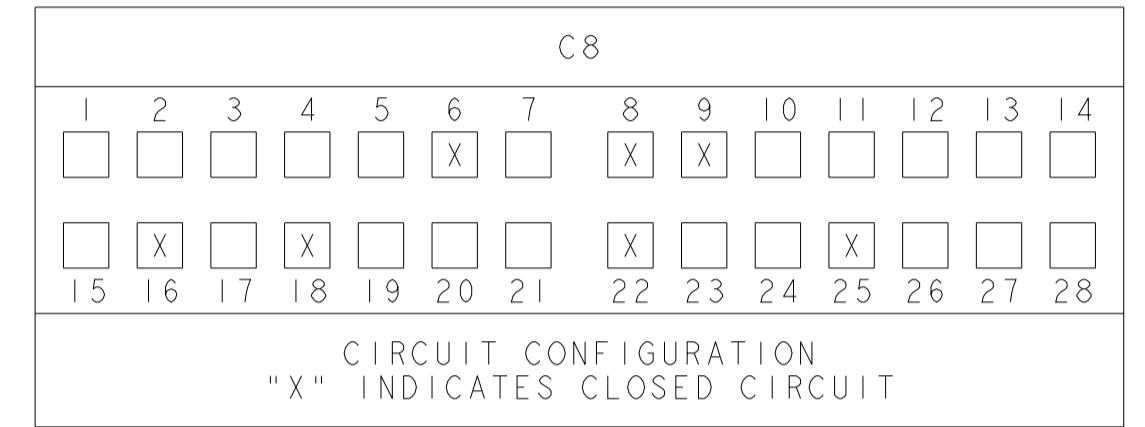
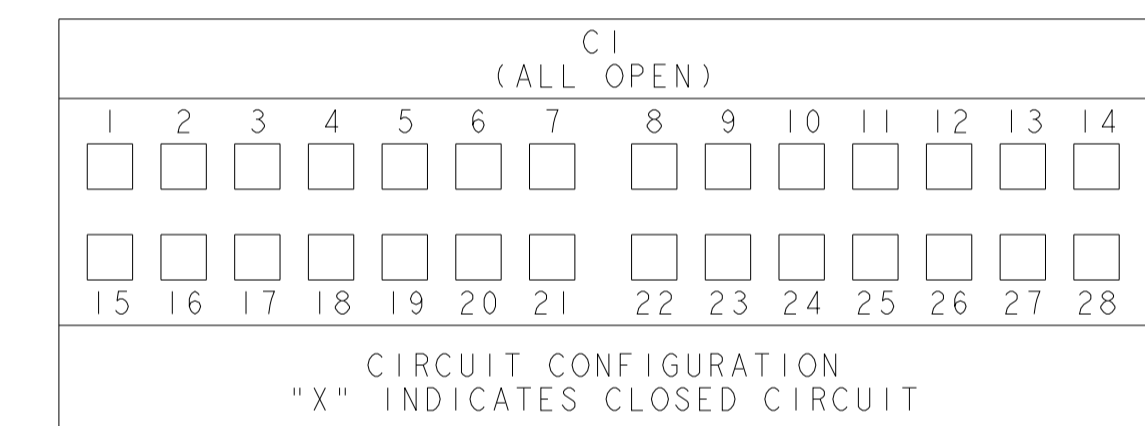
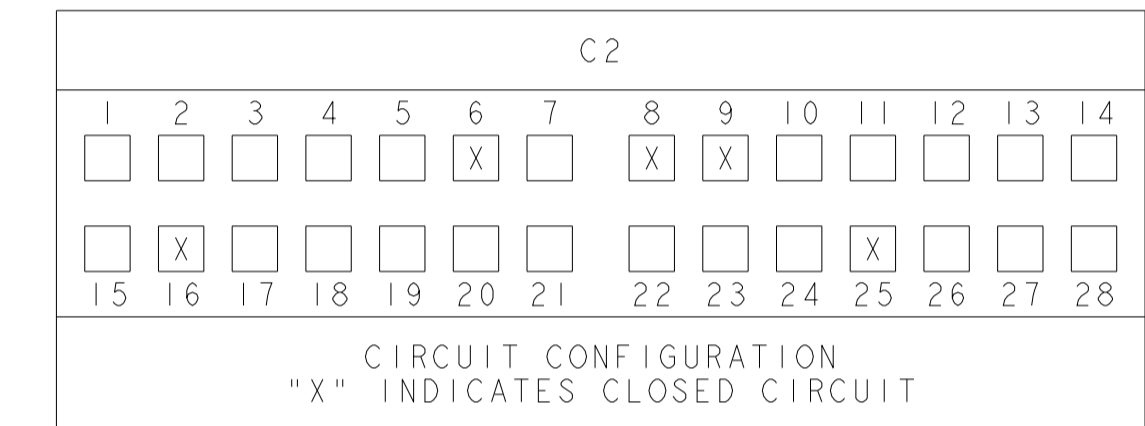
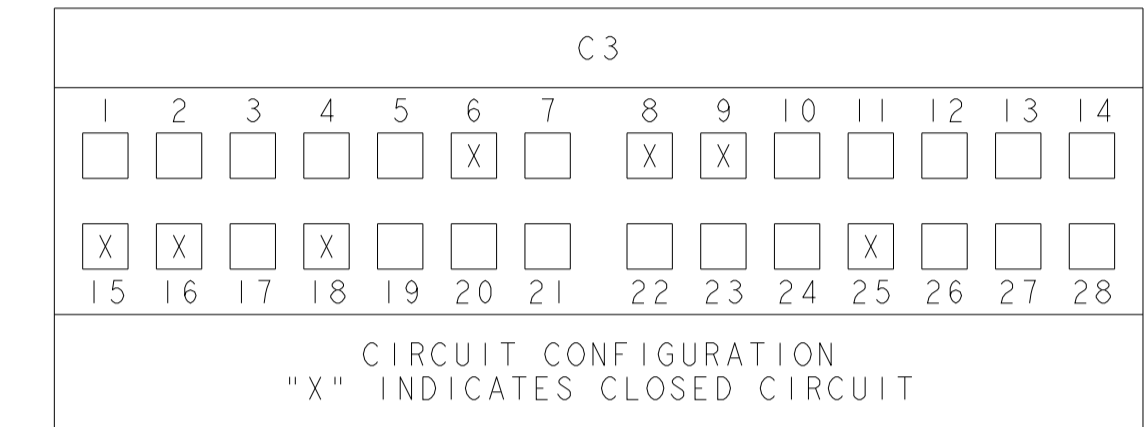
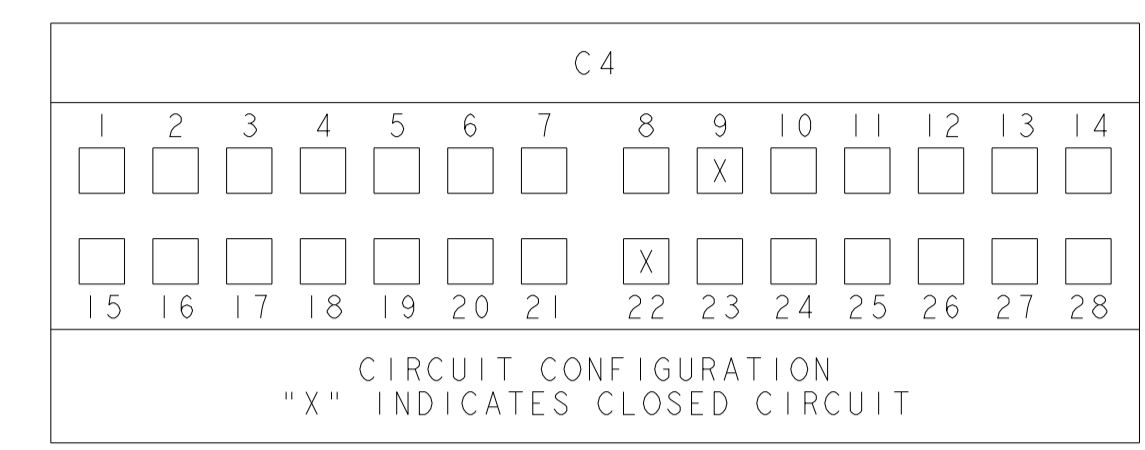
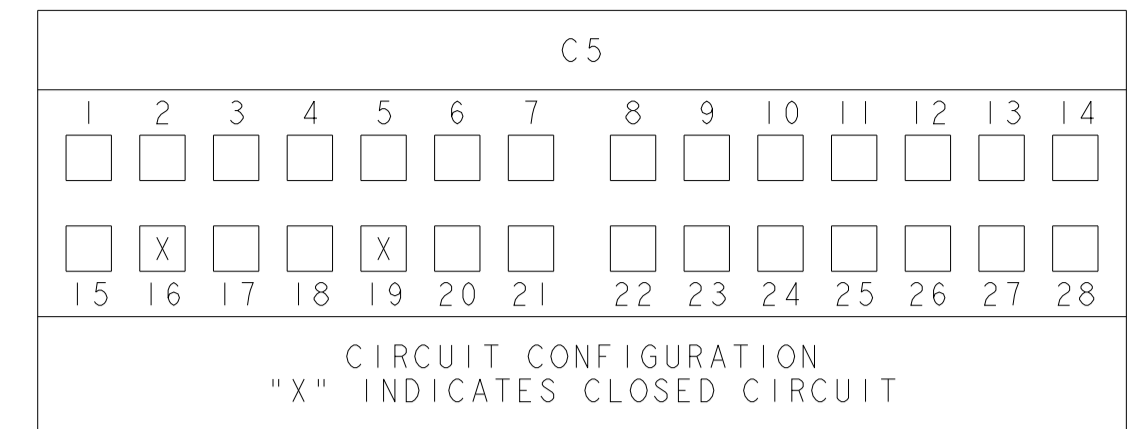


SCALE 1:1

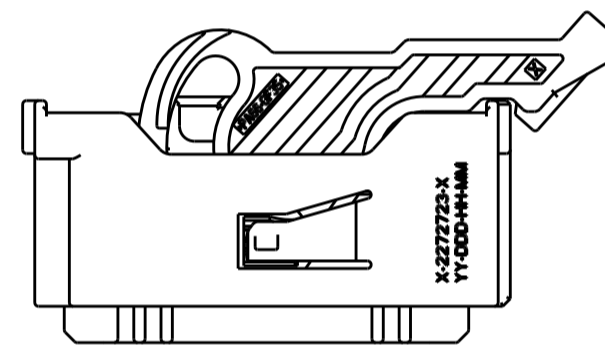


### WIRE DRESS EXIT - RIGHT

FORD PART NUMBER	CIRCUIT CONFIGURATION	KEYING CONFIGURATION	PART NUMBER	APPLICATION
EU5T-14A464-SAA-006	C6	A	6-2272723-0	TBD
EU5T-14A464-SAA-005	C7	A	5-2272723-9	TBD
EU5T-14A464-SAA-004	C5	A	5-2272723-8	8F57 NON-PARK BY WIRE
EU5T-14A464-SAA-003	C4	A	5-2272723-7	8F24 PARK BY WIRE
EU5T-14A464-SAA-002	C3	A	5-2272723-6	9F PARK BY WIRE
EU5T-14A464-SAA-001	C2	A	5-2272723-5	9F NON-PARK BY WIRE
TBD	C1	D	5-2272723-4	VARIOUS - ALL OPEN
TBD	C1	C	5-2272723-3	VARIOUS - ALL OPEN
TBD	C1	B	5-2272723-2	VARIOUS - ALL OPEN
EU5T-14A464-SAA-000	C1	A	5-2272723-1	8F57 PARK BY WIRE VARIOUS ALL OPEN

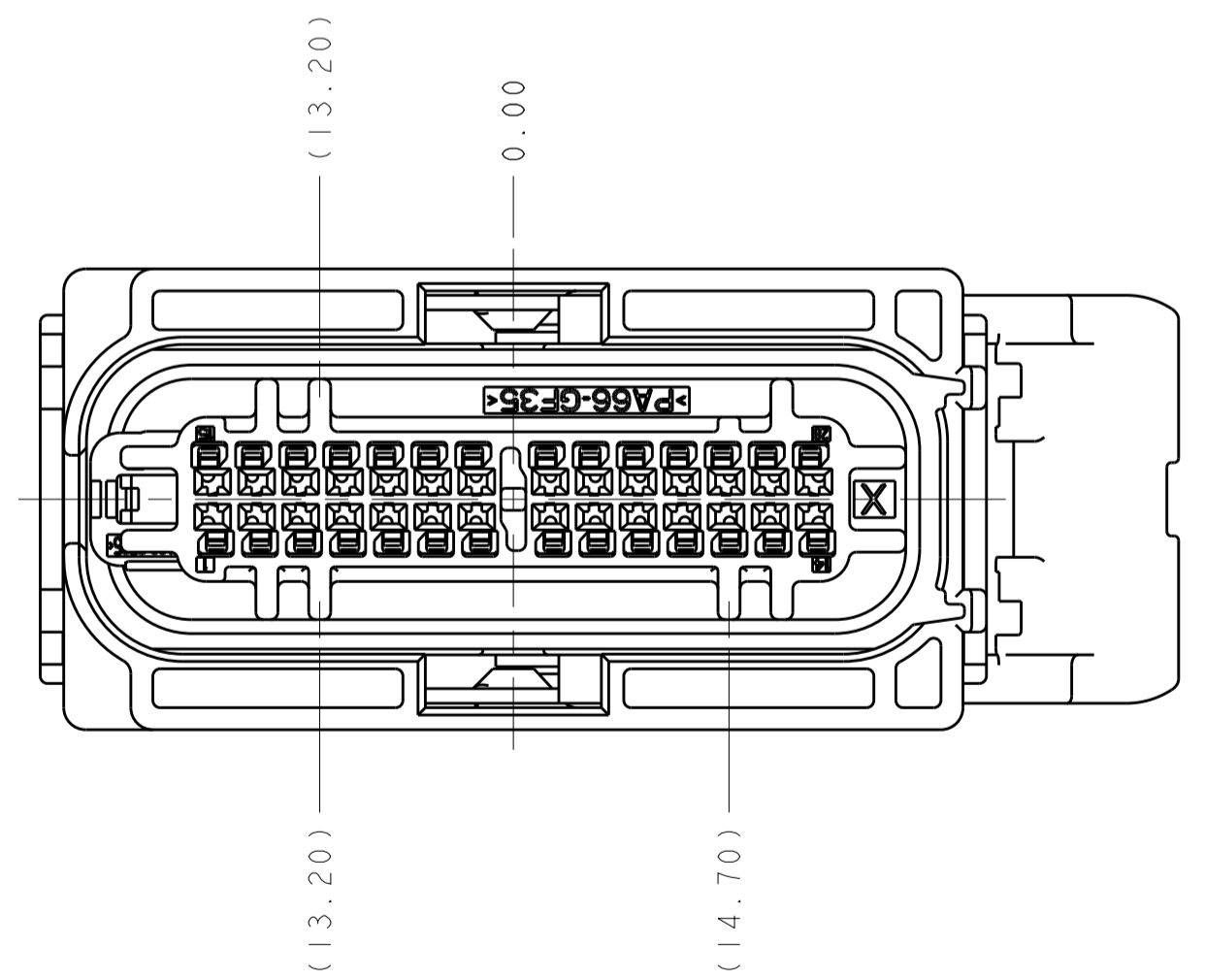


SCALE 1:1

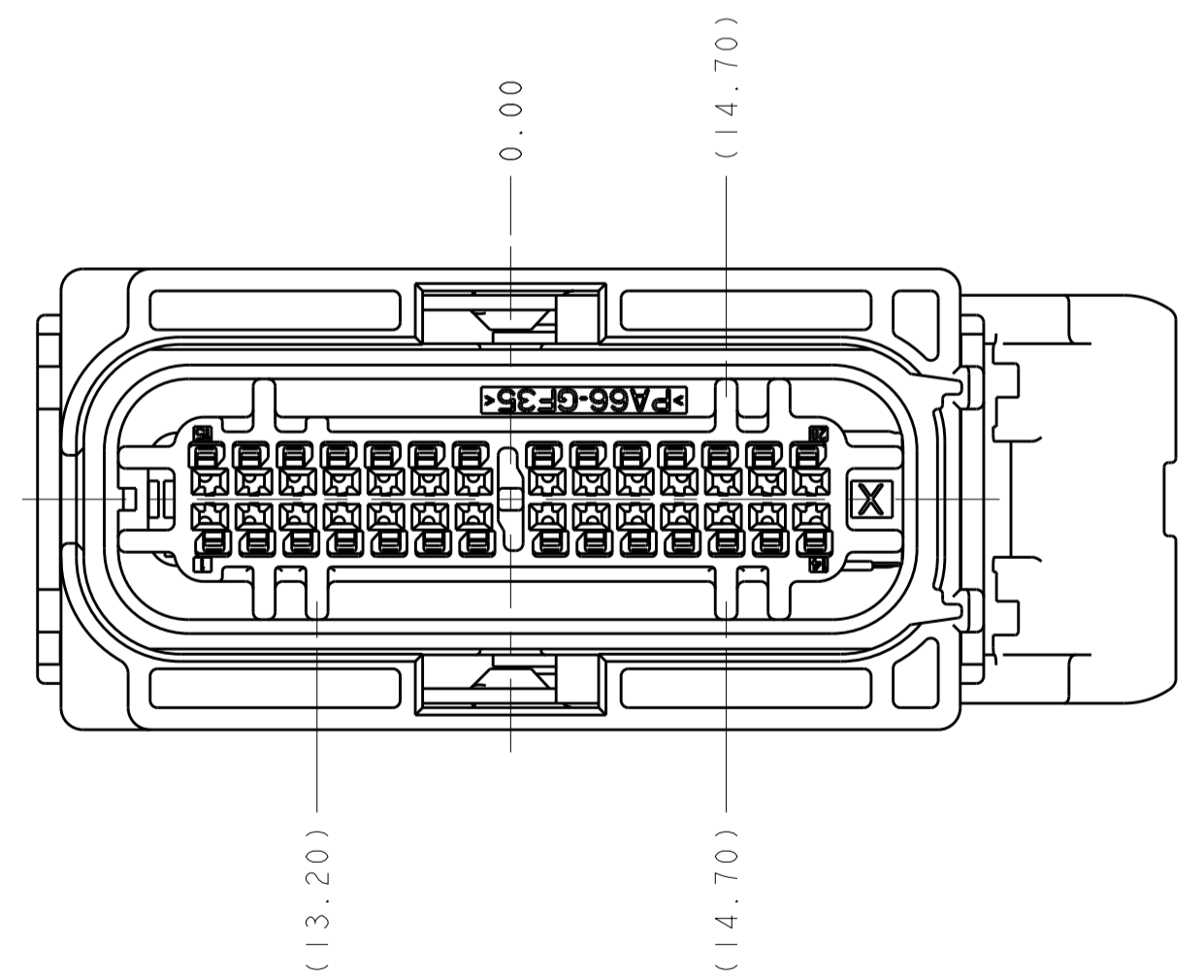


### WIRE DRESS EXIT - LEFT

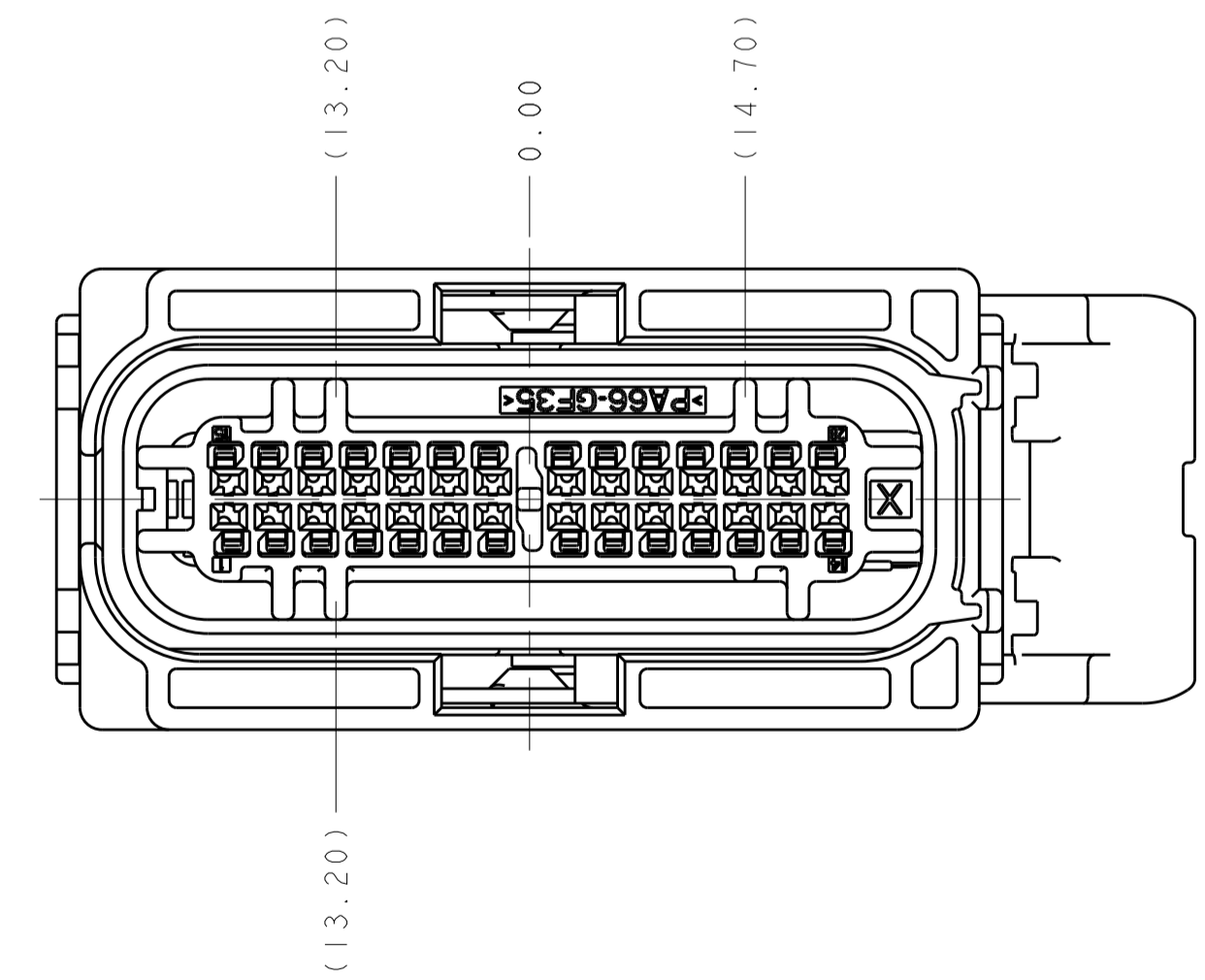
FORD PART NUMBER	CIRCUIT CONFIGURATION	KEYING CONFIGURATION	PART NUMBER	APPLICATION
EU5T-14A464-LAA-006	C8	A	1-2272723-0	2.0L V408
EU5T-14A464-LAA-005	C6	A	2272723-9	8F40
EU5T-14A464-LAA-004	C5	A	2272723-8	8F57 NON-PARK BY WIRE
EU5T-14A464-LAA-003	C4	A	2272723-7	8F24 PARK BY WIRE
EU5T-14A464-LAA-002	C3	A	2272723-6	9F PARK BY WIRE
EU5T-14A464-LAA-001	C2	A	2272723-5	9F35 NON-PARK BY WIRE
TBD	C1	D	2272723-4	VARIOUS - ALL OPEN
TBD	C1	C	2272723-3	VARIOUS - ALL OPEN
TBD	C1	B	2272723-2	VARIOUS - ALL OPEN
EU5T-14A464-LAA-000	C1	A	2272723-1	8F57 PARK BY WIRE VARIOUS - ALL OPEN



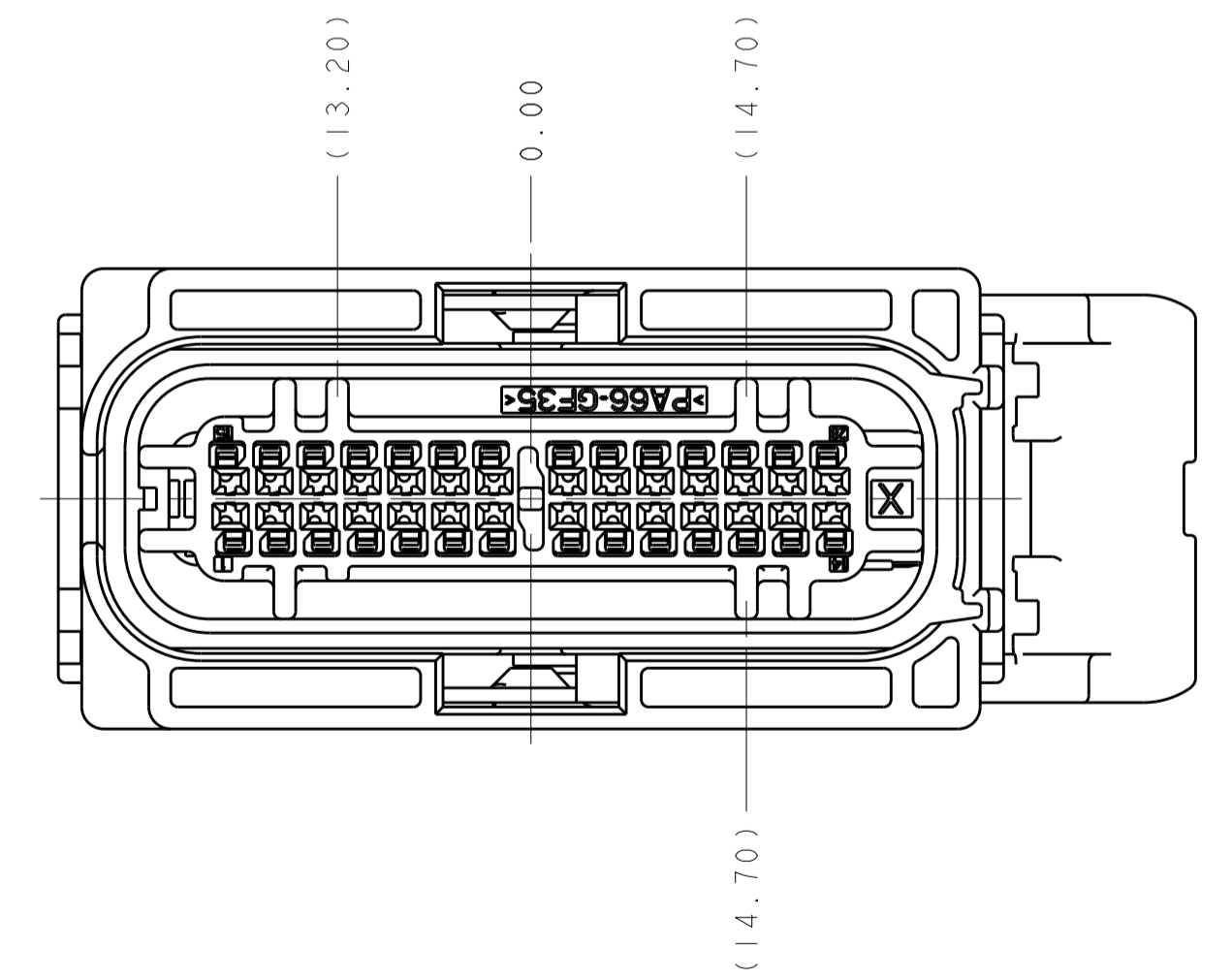
KEYING OPTION "A"



KEYING OPTION "B"



KEYING OPTION "C"



KEYING OPTION "D"

THIS DRAWING IS A CONTROLLED DOCUMENT.

DIMENSIONS: mm 	TOLERANCES UNLESS OTHERWISE SPECIFIED: 0 PLC ± 1 PLC ±0.3 2 PLC ±0.10 3 PLC ± 4 PLC ± ANGLES ±°	DWG: C. CHETHAN K 20MAY2014 CHK: A. VASBINDER 22MAY2014 APVD: A. VASBINDER 24MAY2014 PRODUCT SPEC: 108-32096 APPLICATION SPEC: 408-32140 WEIGHT: - CUSTOMER DRAWING	NAME: FEMALE ASSEMBLY, SEALED 28 POSITION, GFx TRANS MCON CLEAN BODY-FORD SIZE: A100779 CAGE CODE: 2272723 SCALE: 2:1 SHEET: 3 OF 3 REV: A3
-----------------------	---	---	--