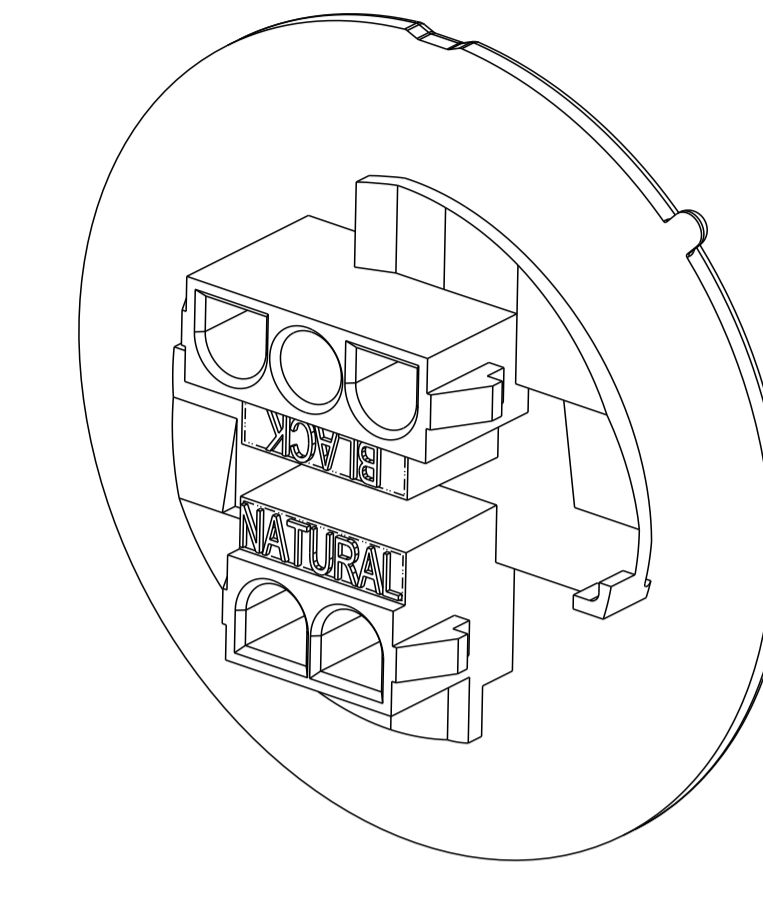
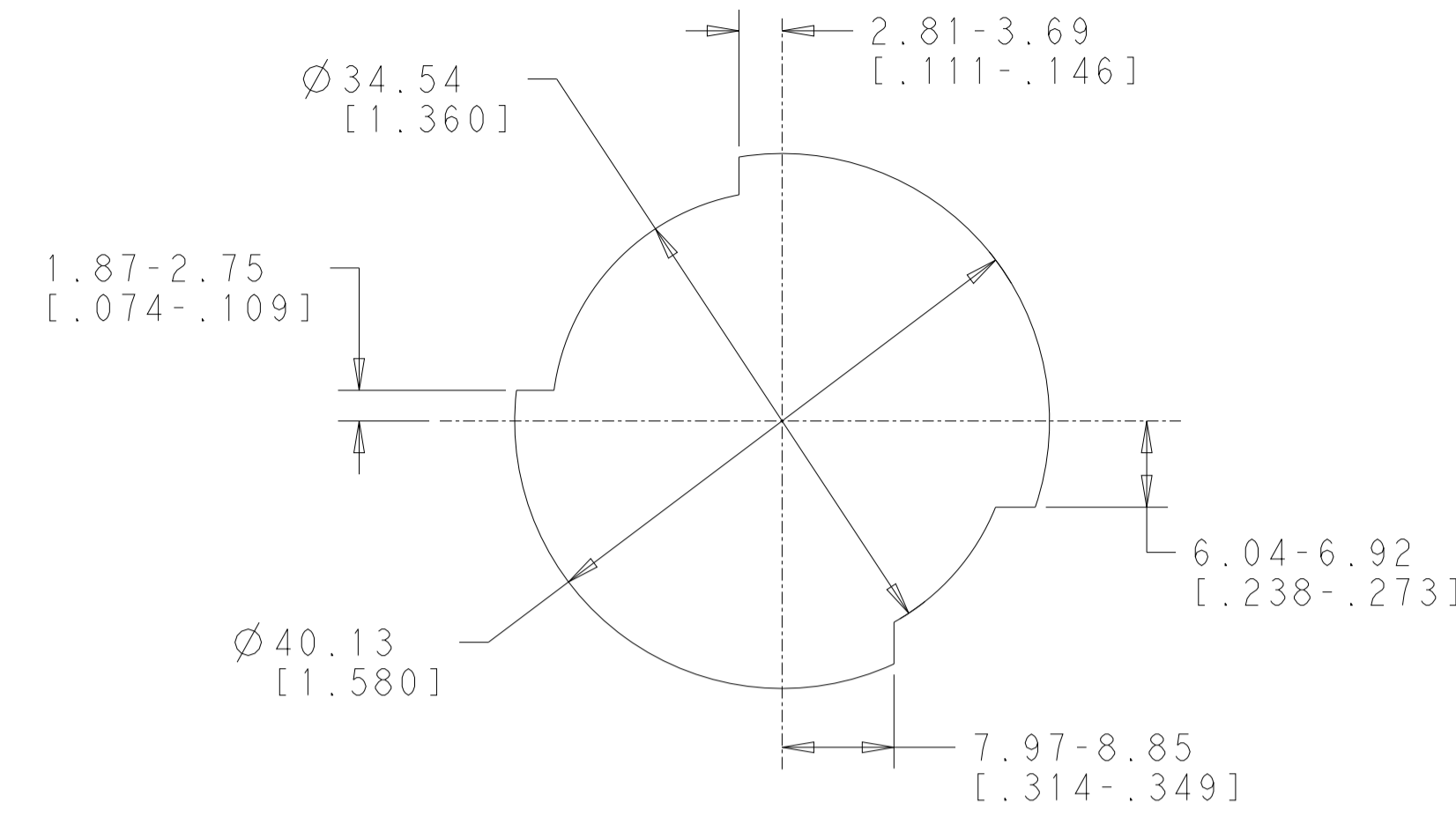
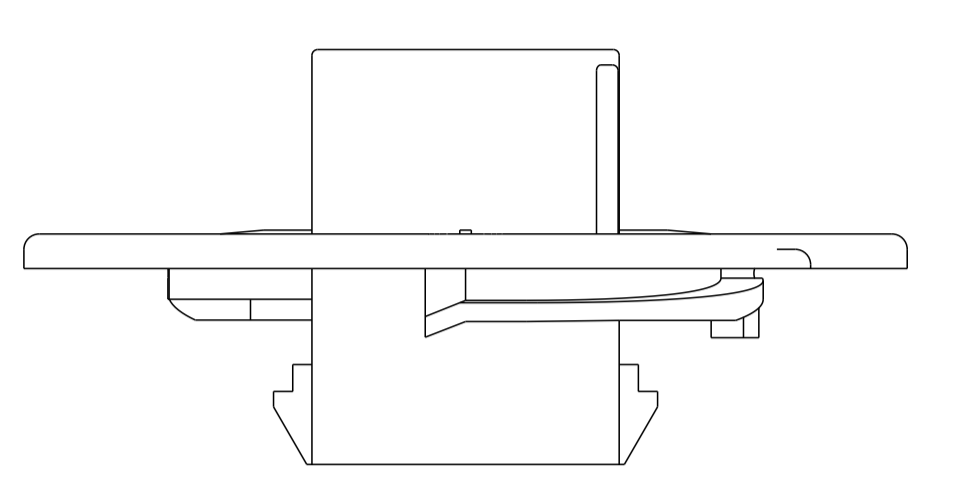
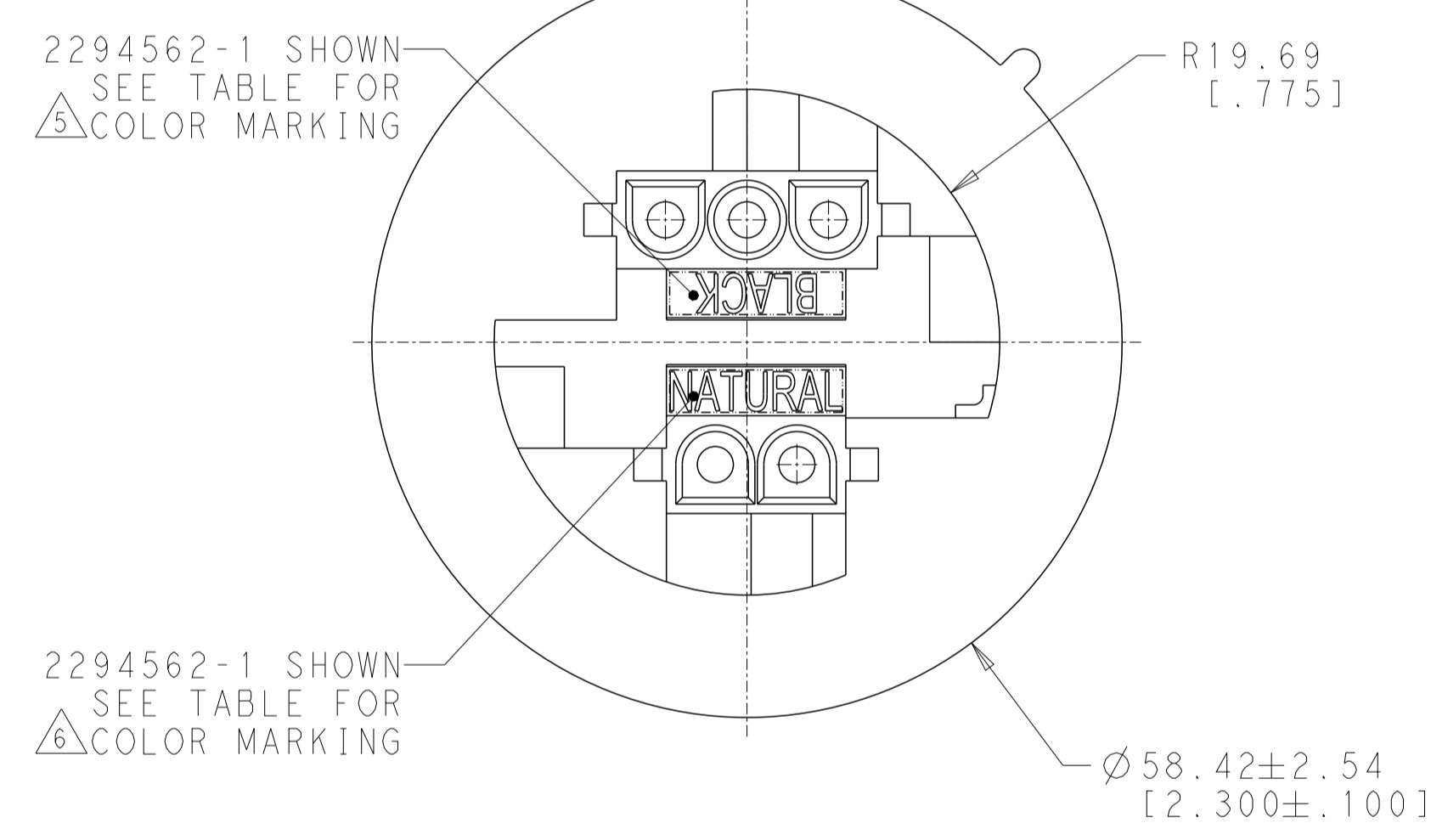


REVISIONS				
P	LTN	DESCRIPTION	DATE	APPROV
B		REVISED PER ECR-17-017770	15DEC2017	BW SF
B1		REVISED PER ECR-22-139440	08JUN2022	SS VS
B2		REVISED PER ECR-22-159989	30NOV2022	RS RB
B3		REVISED PER ECR-23-183769	09AUG2023	RS BR

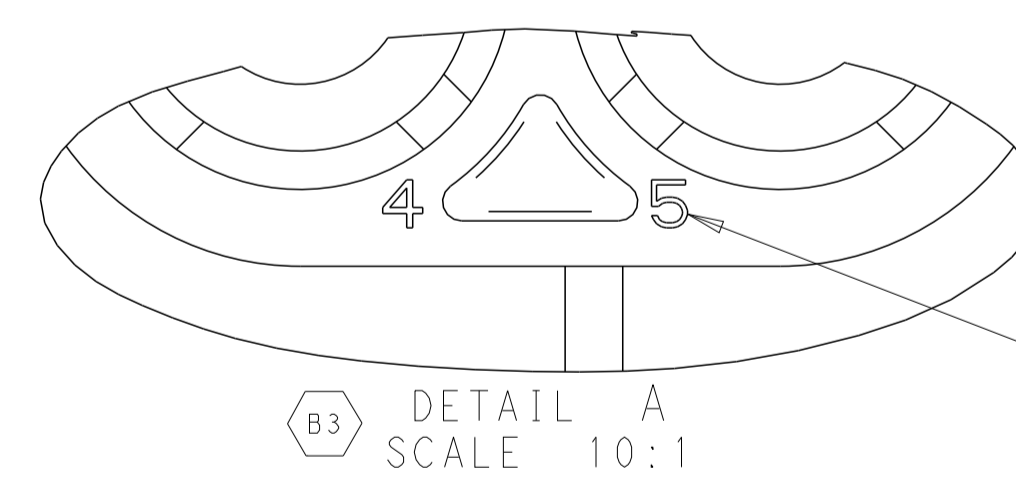
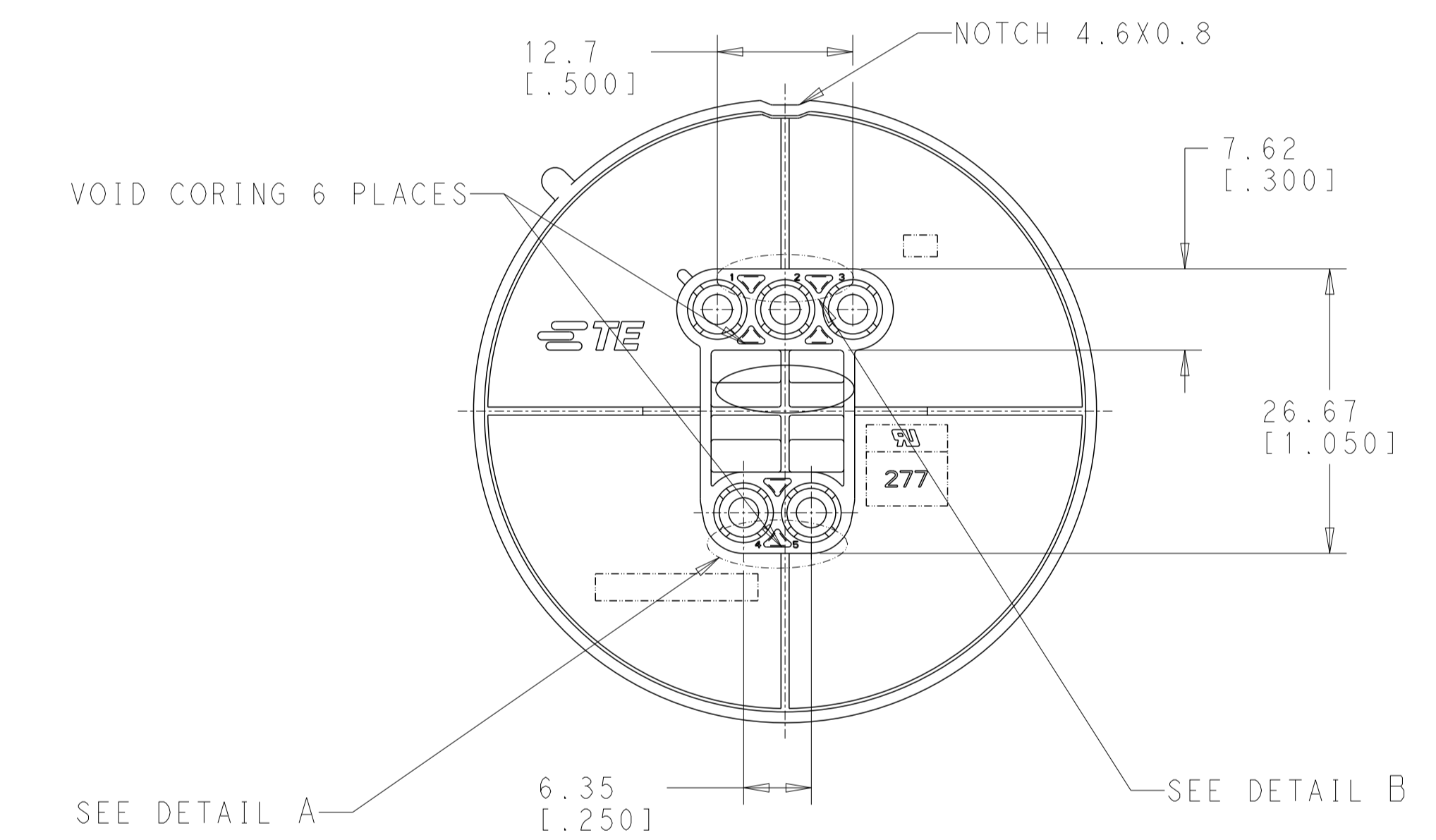
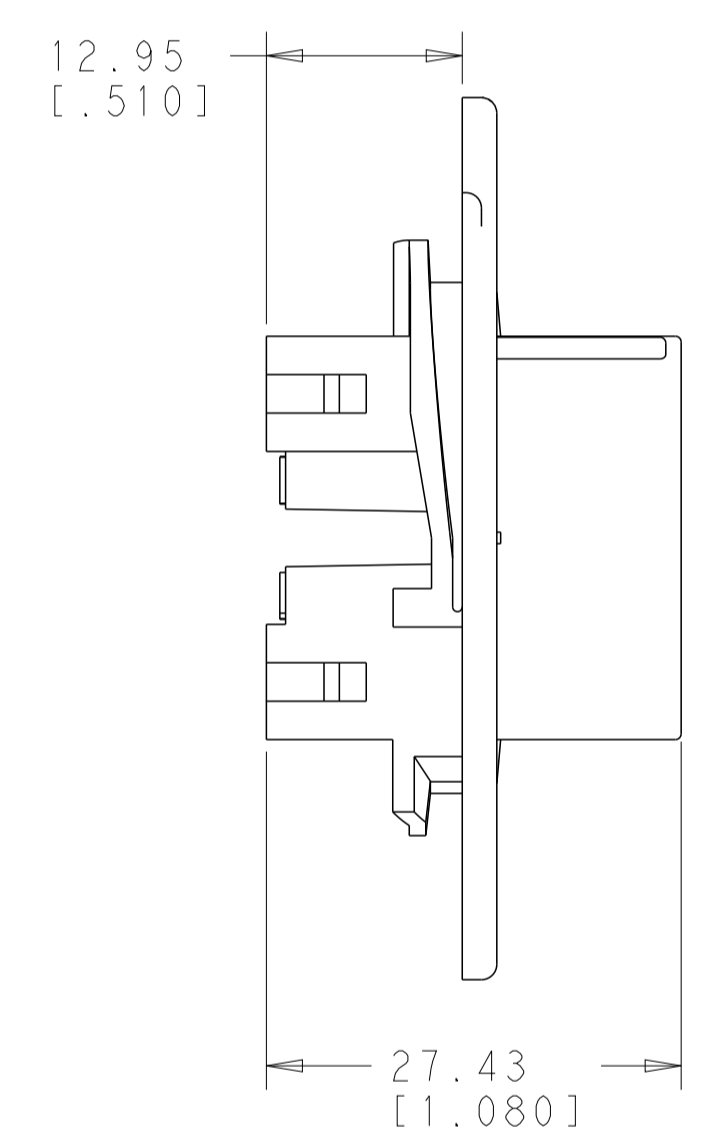


RECOMMENDED PANEL CUTOUT \triangle

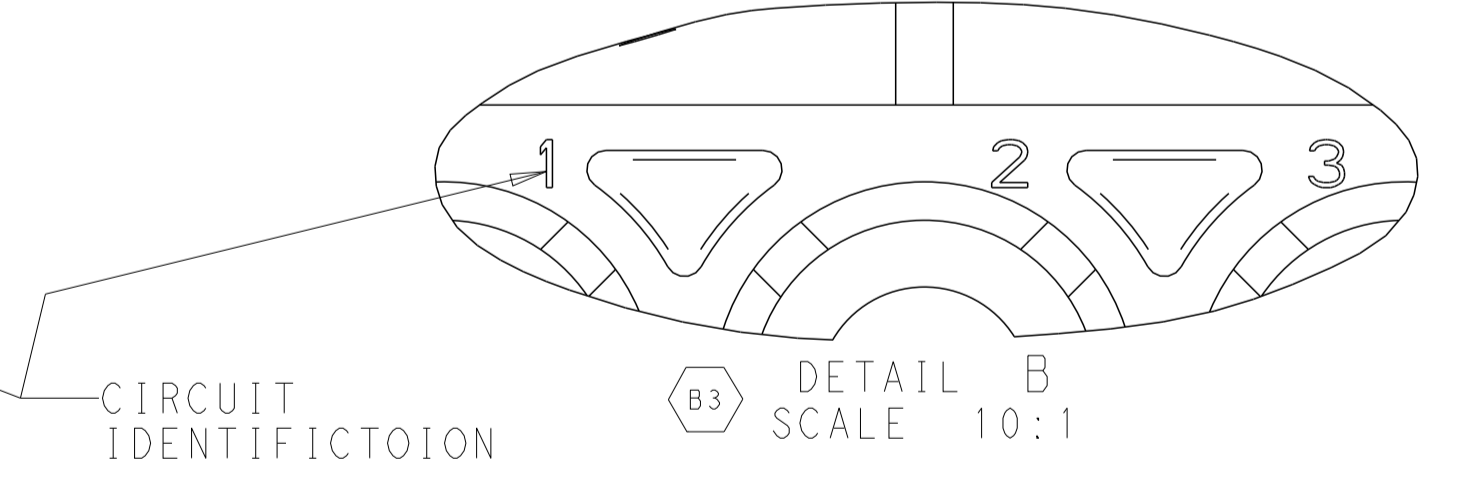


2294562-1 SHOWN
SEE TABLE FOR
COLOR MARKING \triangle

2294562-1 SHOWN
SEE TABLE FOR
COLOR MARKING \triangle



DETAIL A
SCALE 10:1



DETAIL B
SCALE 10:1

- 1 MATES WITH APPROPRIATE 2 POSITION AND 3 POSITION UNIVERSAL MATE-N-LOK PLUG HOUSINGS.
- \triangle RECOMMENDED PANEL THICKNESS 0.76-1.91 [.030-.075].
- 3 PANEL MUST BE PUNCHED SO THAT THE HOUSING ENTERS THE PANEL IN THE SAME DIRECTION AS THE PUNCH.
- 4 DIMENSIONS SHOWN REPRESENT PRODUCT IN DRY, AS MOLDED, CONDITION. ADDITIONAL 2% GROWTH DUE TO SUBSEQUENT MOISTURE ABSORPTION MAY OCCUR AND SHOULD BE ACCOUNTED FOR.
- \triangle 3 POSITION MATING PART COLOR CODING MARKING, SEE TABLE.
- \triangle 2 POSITION MATING PART COLOR CODING MARKING, SEE TABLE.
- \triangle THIS PRODUCT HAS NOT COMPLETED QUALIFICATION TESTING.
- \triangle PRELIMINARY PART-NOT RELEASED FOR PRODUCTION

BROWN	RED	RED	1-2294562-2
NATURAL	BLACK	NATURAL	1-2294562-1
BROWN	RED	RED	2294562-2
NATURAL	BLACK	NATURAL	2294562-1
\triangle 2 POSITION COLOR MARKING	\triangle 3 POSITION COLOR MARKING	RESIN COLOR	PART NO.
THIS DRAWING IS A CONTROLLED DOCUMENT.		DWN RODNEY SMITH 12APR16 CHG EVAN WICKES 12APR16 APVD EVAN WICKES 12APR16	
DIMENSIONS:		TOLERANCES UNLESS OTHERWISE SPECIFIED: 0 PLC ±.05 1 PLC ±.051 [.020] 2 PLC ±.051 [.020] 3 PLC ±.051 [.020] 4 PLC ±.051 [.020] ANGLES ±.051 [.020]	
MATERIAL NYLON, V2		NAME CAP, 2 AND 3 CIRCUIT UNIVERSAL MATE-N-LOK, SPECIAL SIZE CAGE CODE DRAWING NO. A1 - C=2294562 WEIGHT - CUSTOMER DRAWING	
		SCALE 2:1 SHEET 1 OF 1 REV B3	