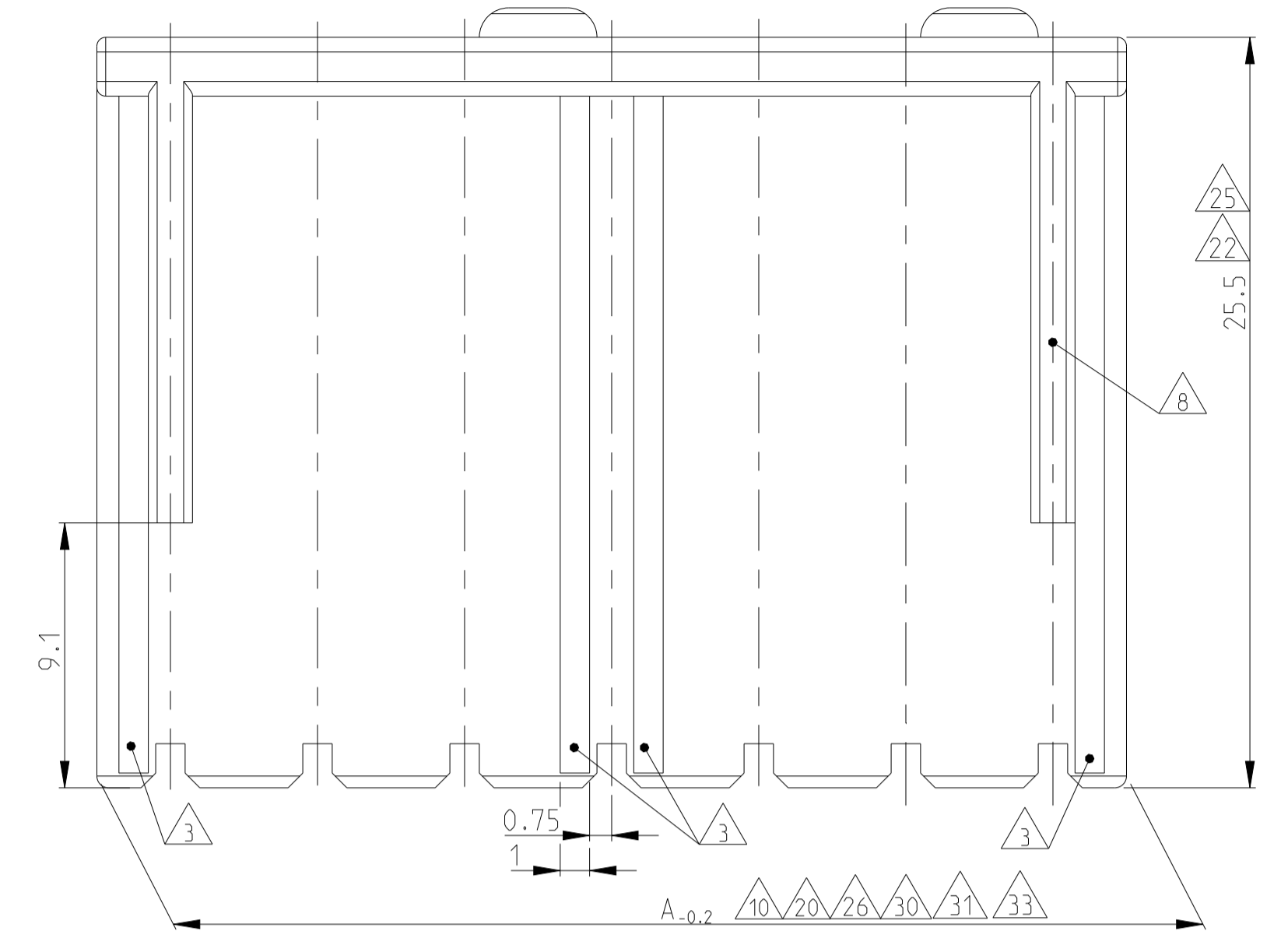
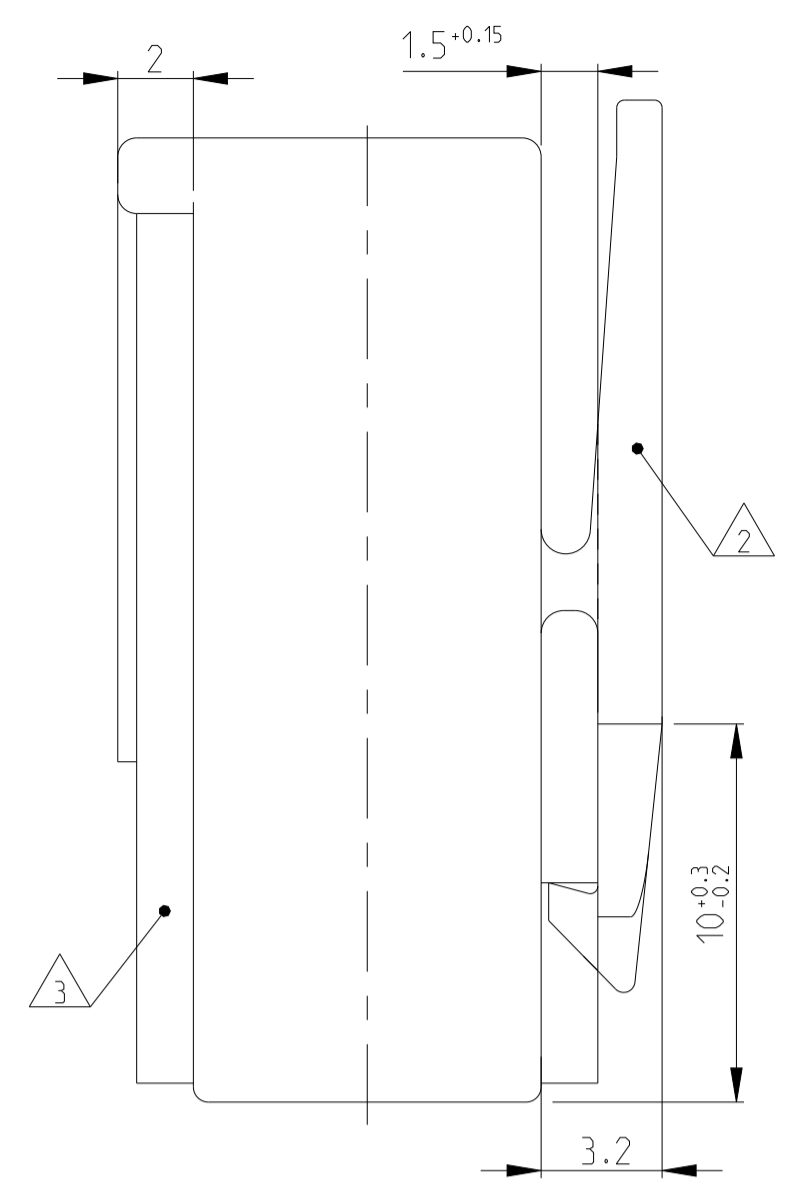
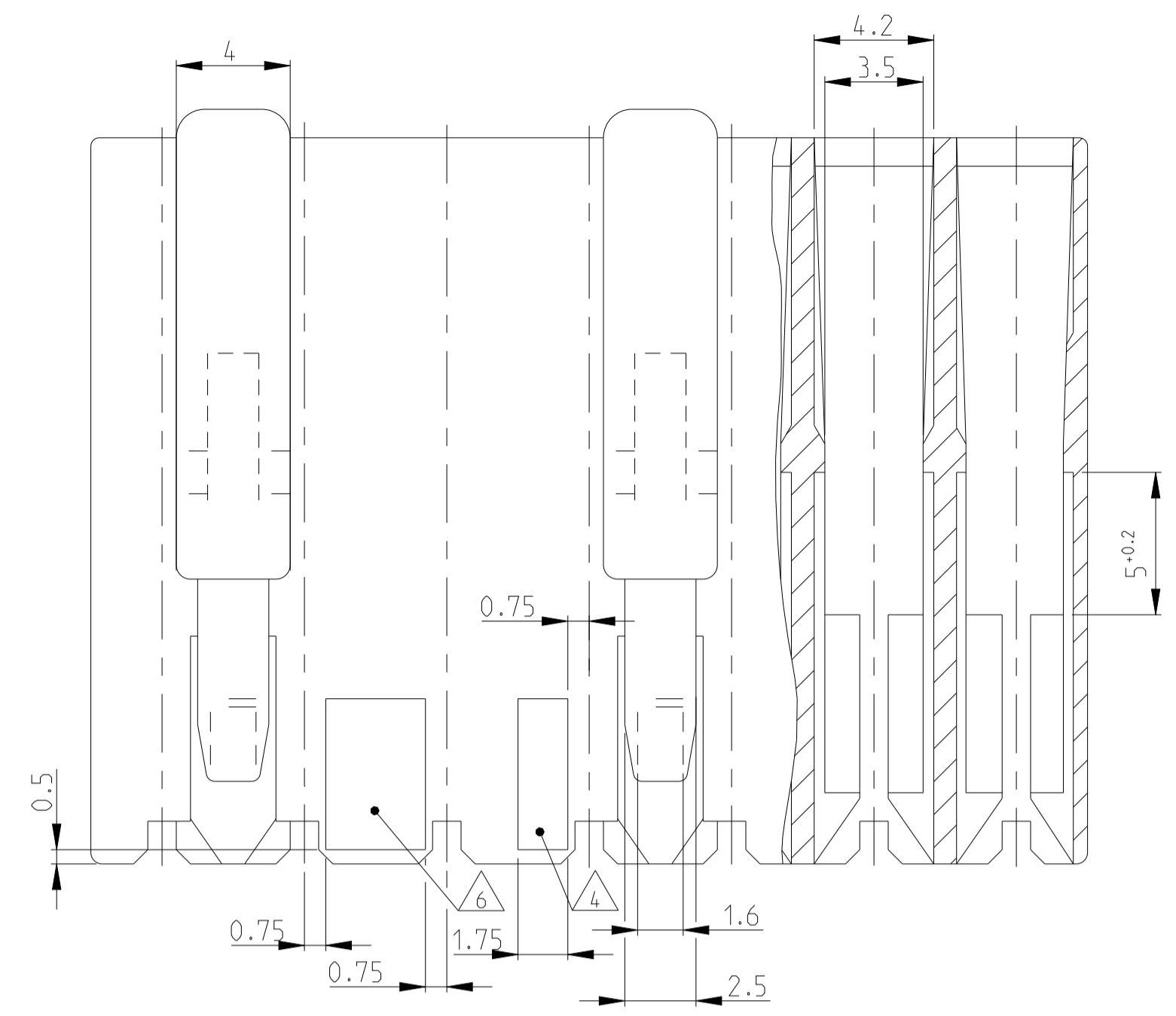
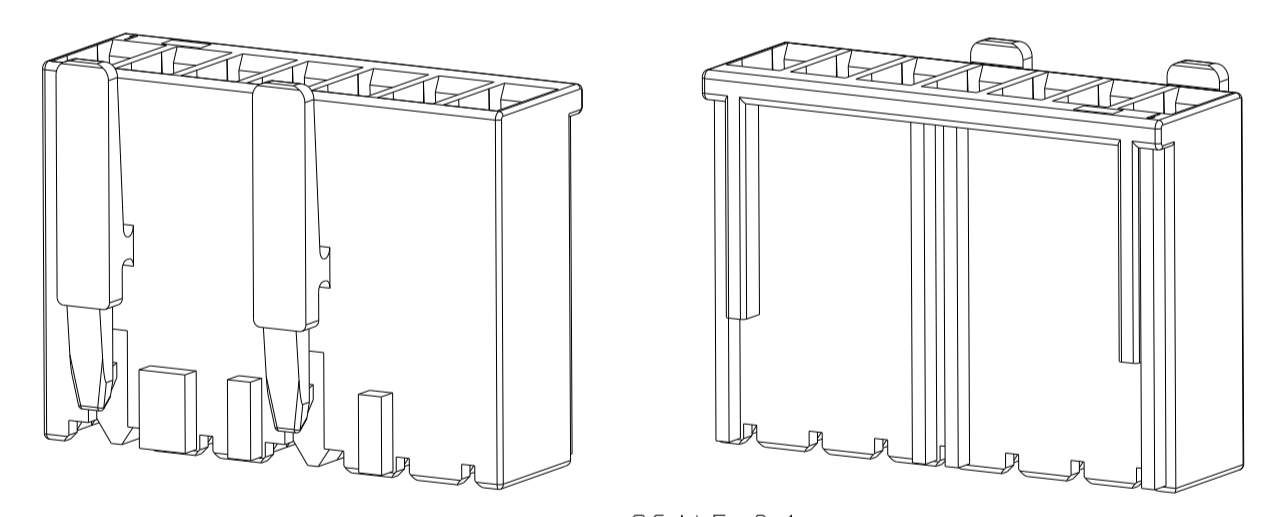
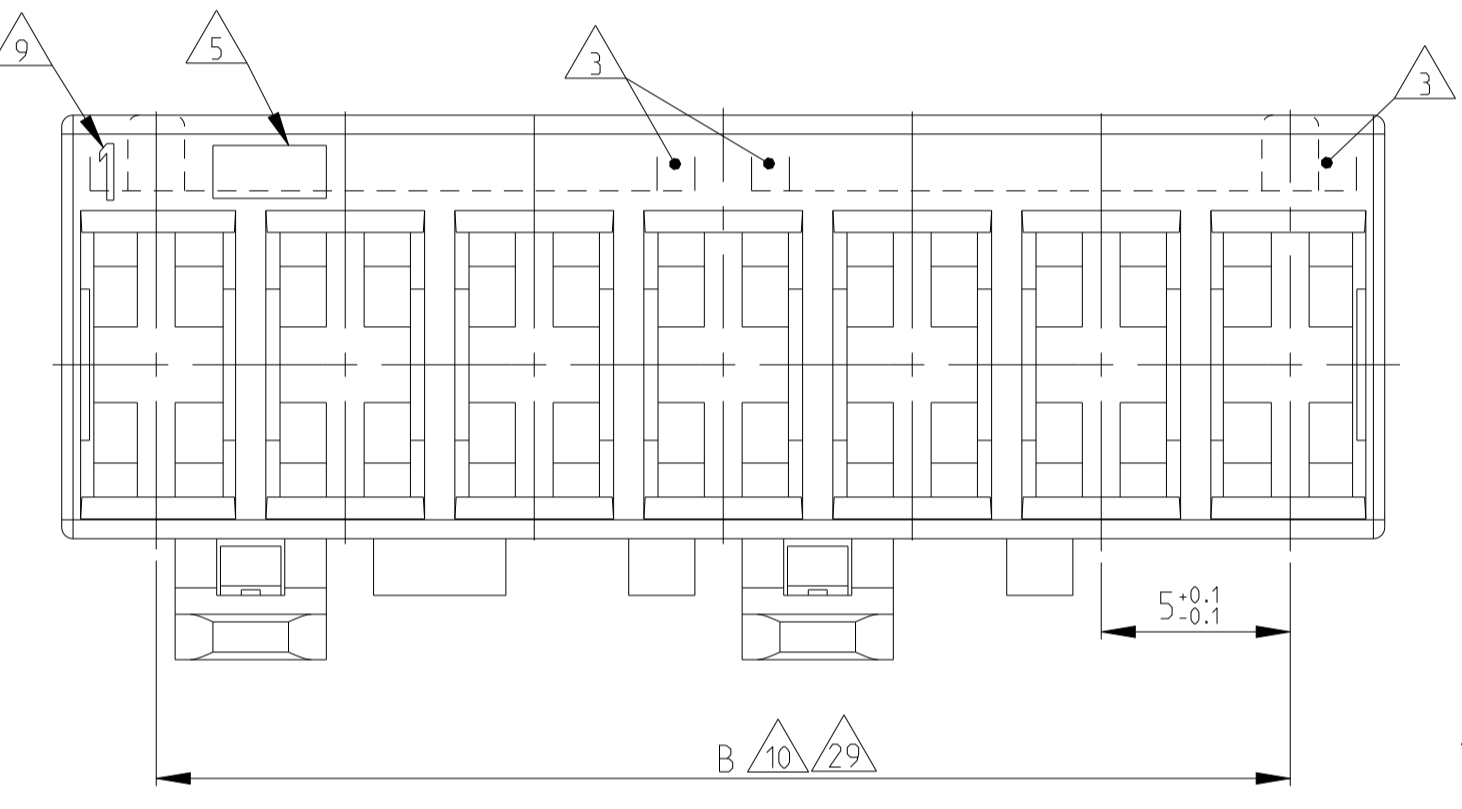
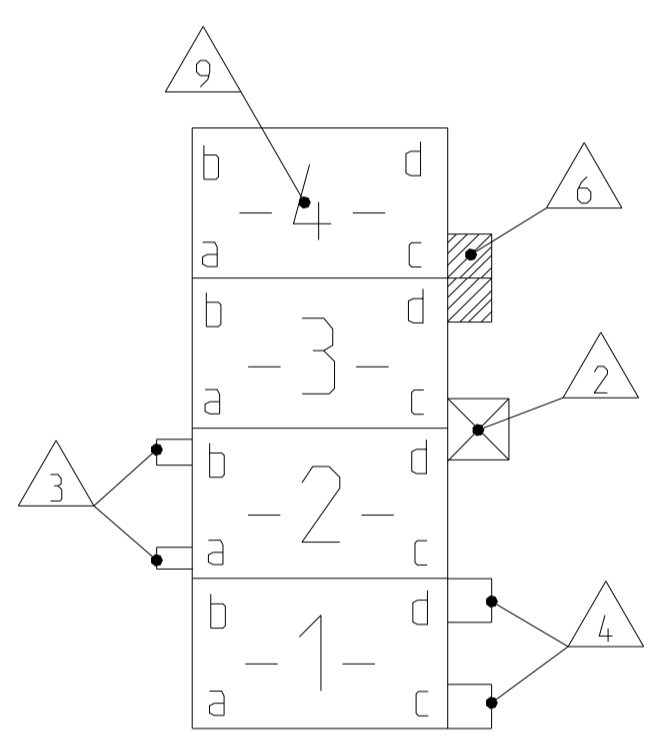
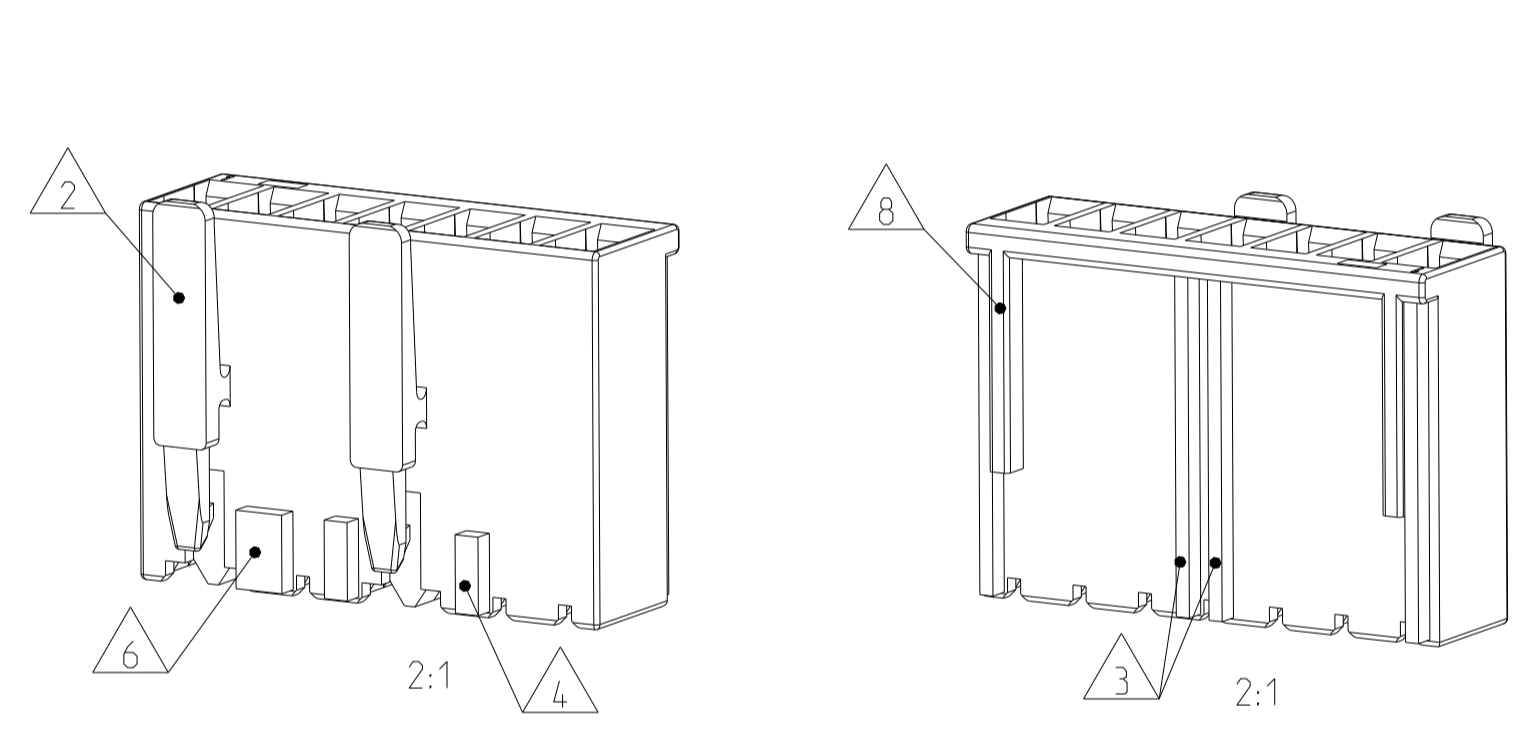


REVISONS		DATE	DMN	APVD
C	ECR-22-127722	03FEB2022	DC	FL
C1	ECR-22-137065	09APR2022	SM	FL
C2	ECR-22-158485	22NOV2022	SM	FL
C3	REVISED PER ECR-24-198530	30JAN2024	AK	WW



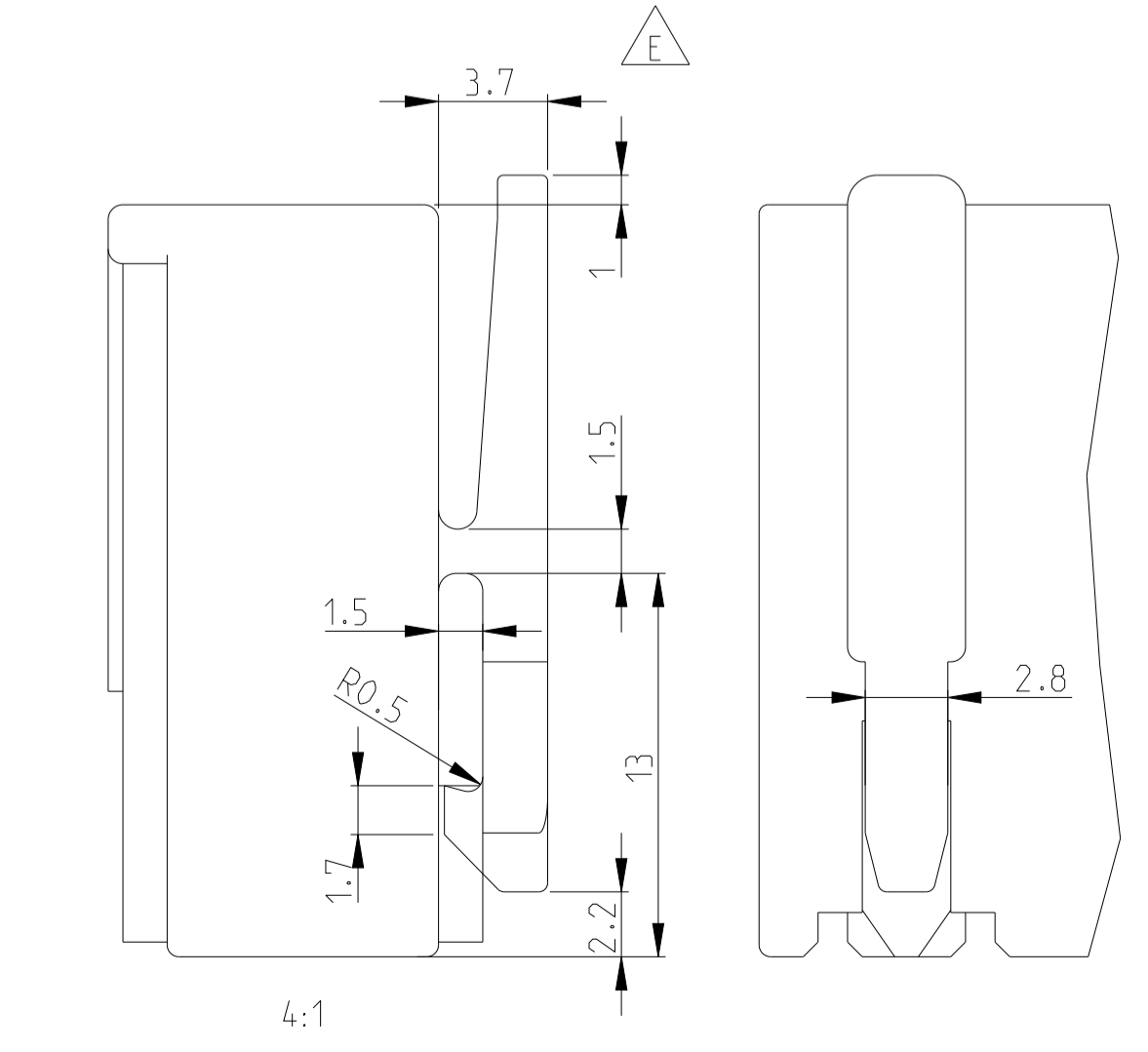
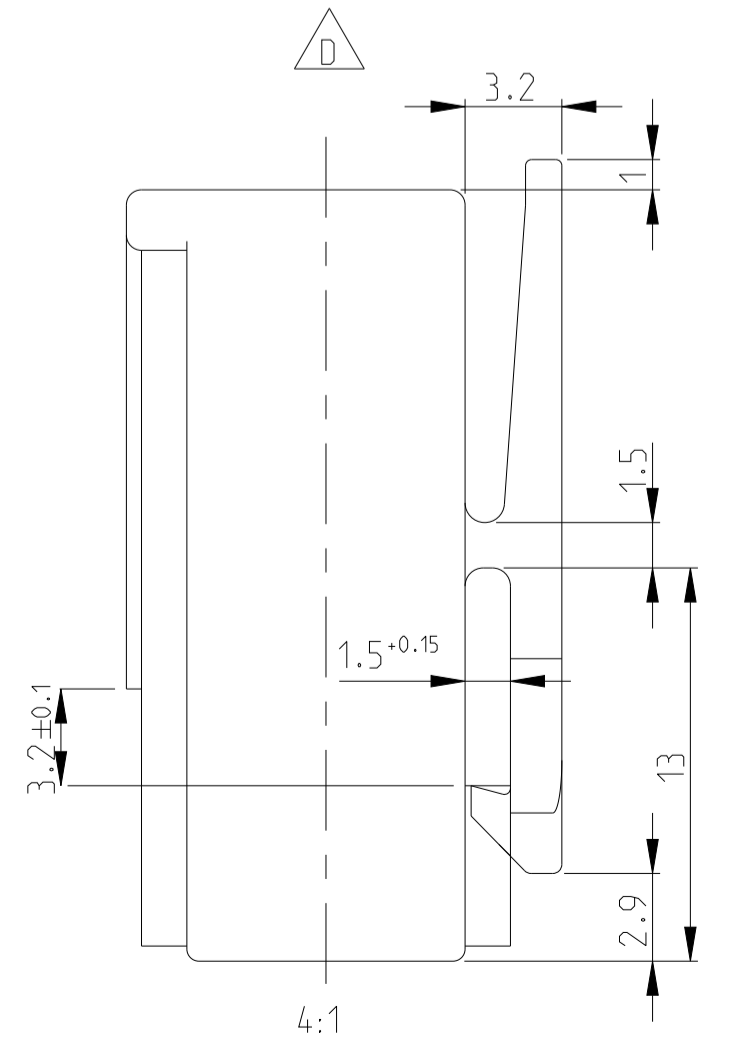
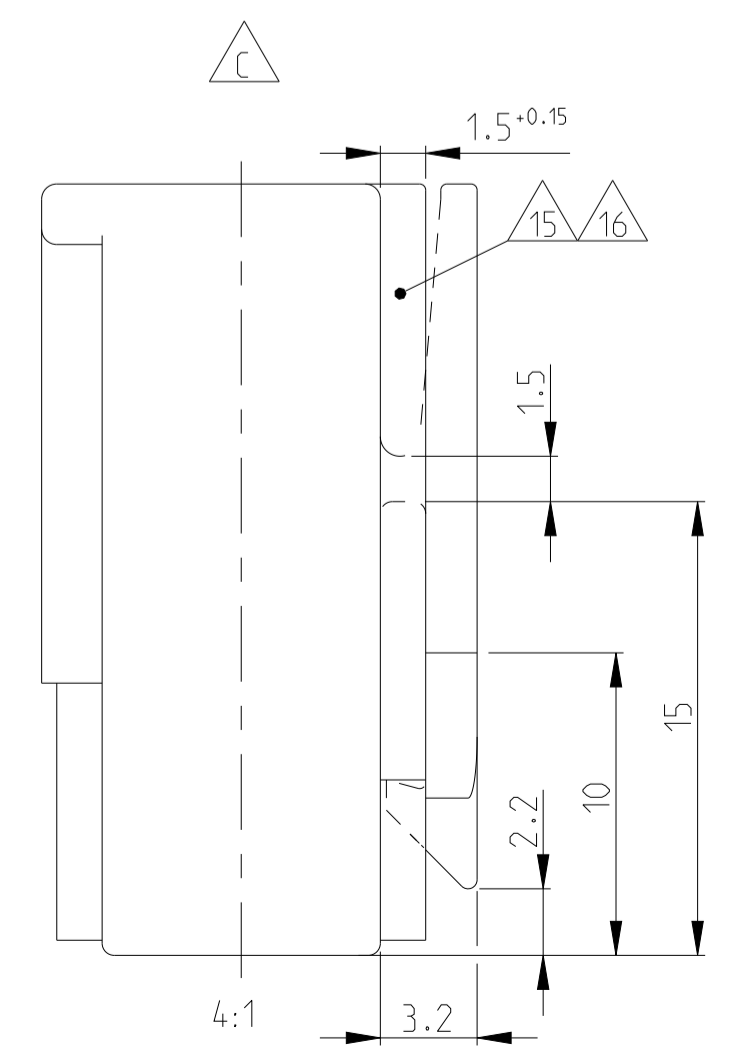
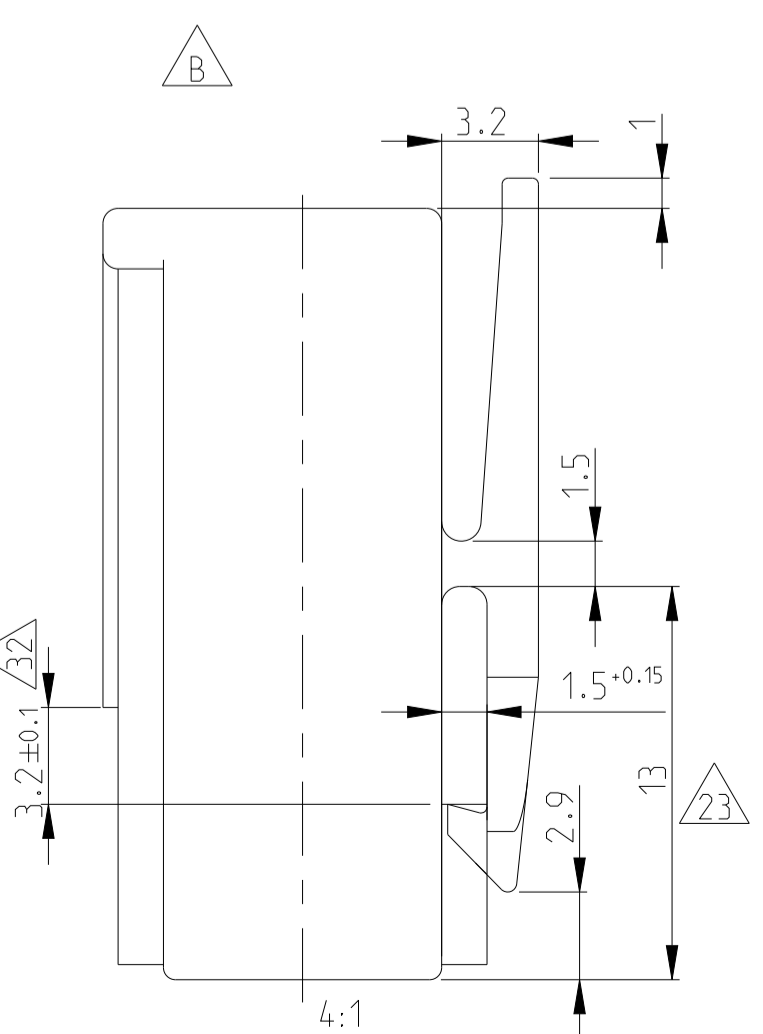
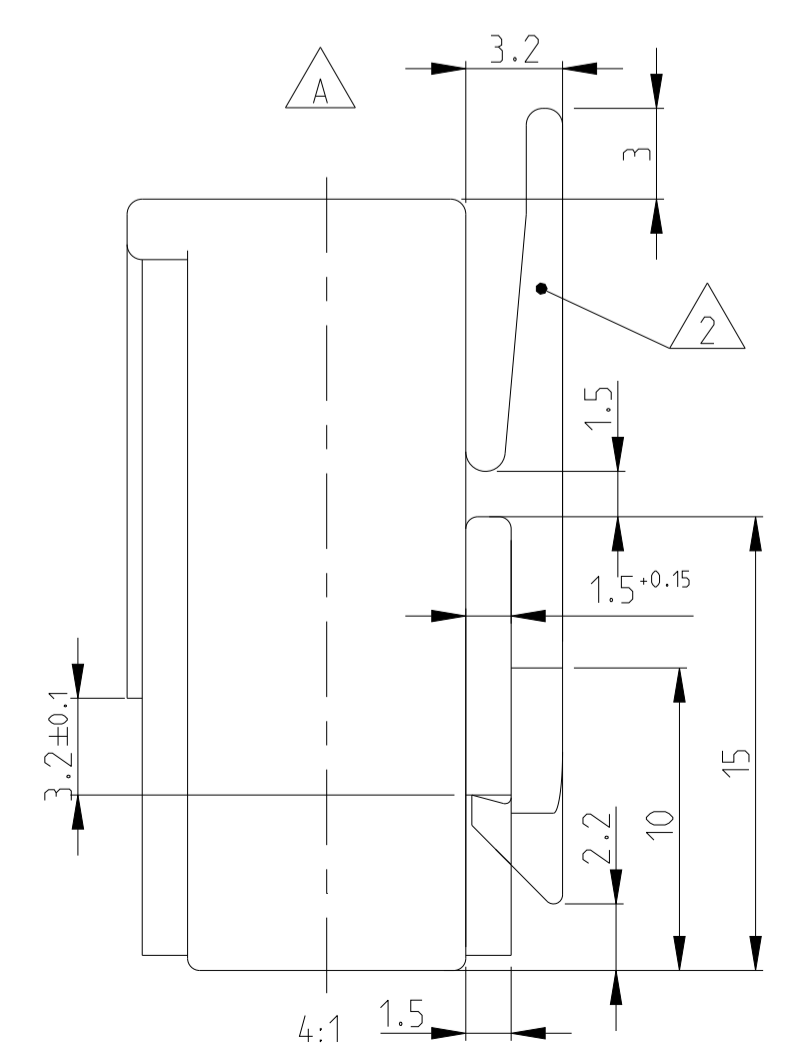
DESCRIPTION  
 POSITION OF THE KEYING RIBS, POLARISATION RIBS AND THE LOCKING LATCH



SCALE 2:1

ALL OTHER DIMENSIONS ARE SAME

PAY ATTENTION!  
 DIFFERENT LOCKING LATCHES



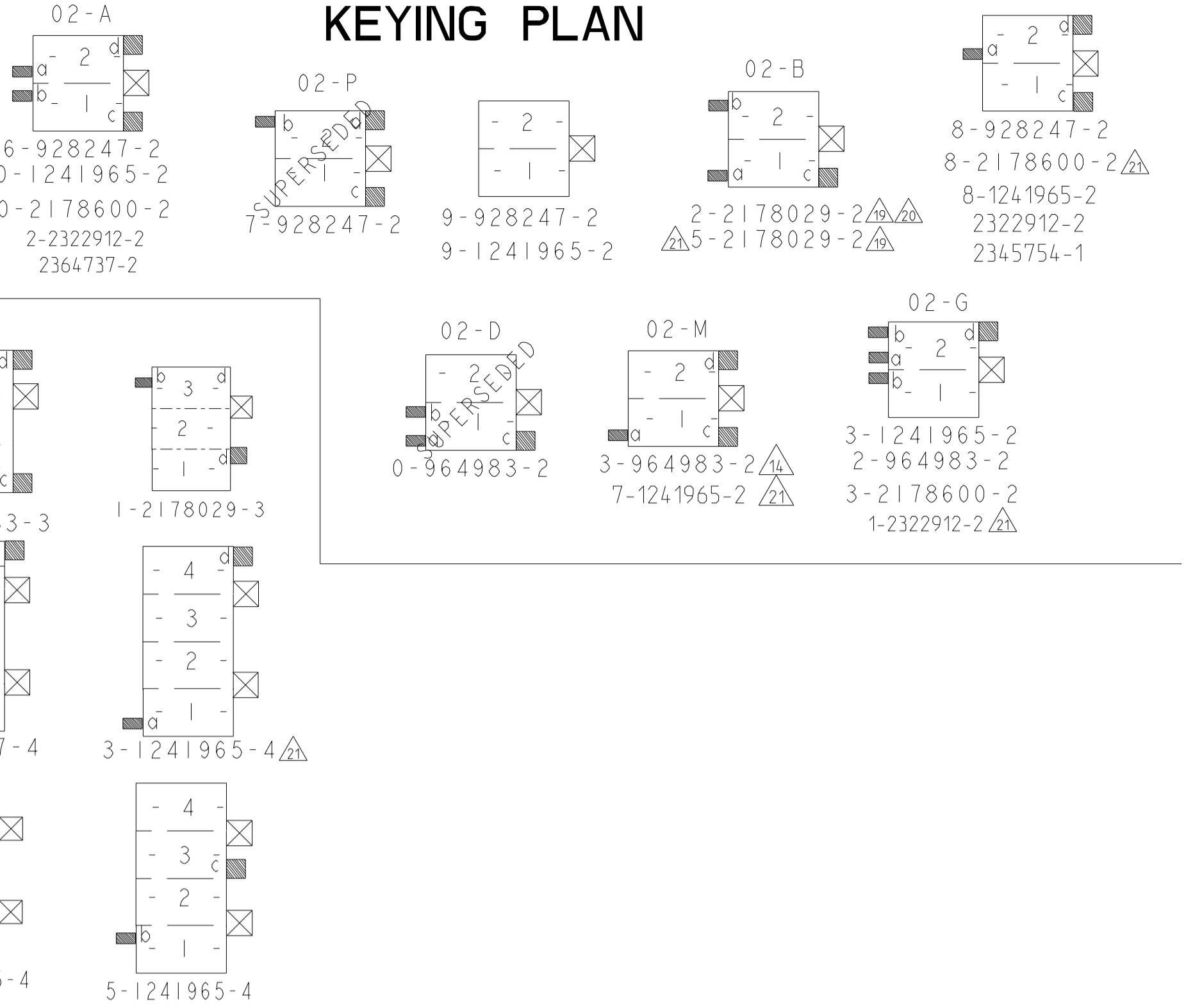
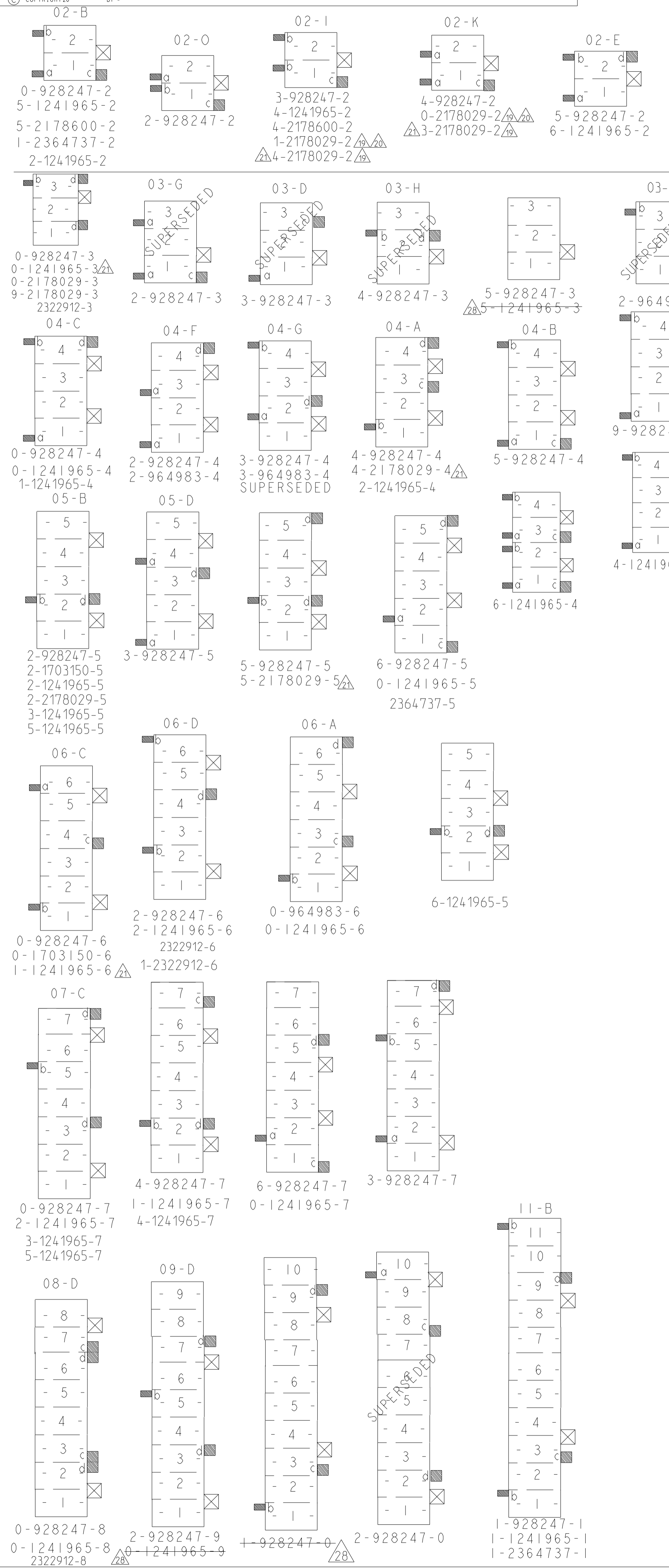
- 1 CAVITY SUITABLE TO STANDARD TIMER CONTACTS LISTED IN PROD. SPEC: 108-18049, ITEM 3.3.2  
Kammer geeignet für Standard Timer Kontakte gelistet in Prod. Spec. 108-18049, Punkt 3.3.2
- 2 LOCKING LATCH BETWEEN CAVITY NO. Rasthaken zwischen Kammernummer
- 3 POLARIZATION RIB POSITION "a" OR POSITION "b", AT CAVITY NO..  
Polarisierungsrippen (Lage "a") oder (Lage "b") versetzt bei Kammer Nr
- 4 KEYING RIB POSITION "c" OR POSITION "d", AT CAVITY NO..  
Kodierungsrippen nach unten (Lage "c") oder oben (Lage "d") versetzt bei Kammernummer
- 5 AREA FOR TE LOGO ACC. TO SPEC 202-36  
Bereich für TE Logo nach Spec. 202-36
- 6 WIDTH KEYING RIB BETWEEN CAVITY NO. Breite Kodierrippe zwischen Kammer Nr.
- 7 SUITABLE TO TAB 6.3x0.8mm AND 4.8x0.8mm ACCORDING TO DIN 46244  
Geeignet für Flachstecker 6.3x0.8mm und 4.8x0.8mm nach DIN 46244
- 8 MATING STOP BETWEEN CAVITY NO.1 AND 2, ALSO BETWEEN THE LAST AND THE LAST BUT ONE CAVITY  
Tiefenanschlag zwischen Kammer Nr.1 und 2, ebenfalls zwischen der letzten und vorletzten Kammer
- 9 CONTACT CAVITY NO. Kammernummer
- 10 DIMENSION A AND DIMENSION B SEE SHEET 2 OF 3  
Maß A und Maß B siehe Blatt 2 von 3
- 11 MATED WITH TE CONNECTOR: SEE TABLE, SHEET 2 OF 3  
Passender TE Gegenstecker: siehe Tabelle, Seite 2 von 3
- 12 GENERAL SUITABLE TAB HEADER HOUSING SEE RAST 5 PERFORMANCE  
Generell passende Flachsteckerwanne, siehe RAST 5 Vorgabe
- 13 CONNECTION TO THE PC BOARD SEE DRAWING 88-9935-4  
Leiterplattenanschluß siehe Zeichnung 88-9935-4
- A B SEE TABLE, SHEET 2 OF 3  
C D E Siehe Tabelle, Blatt 2 von 3
- 14 MATERIAL CORRESPONDS TO THE REQUIREMENT EN 60335 (INCL. GLOW WIRE TEST 750°C WITHOUT FLAME)
- 15 WIRE TANGLING PROTECTION
- 16 WIRE TANGLING PROTECTION IN COMBINATION WITH CODING RIBS, ONLY VALID FOR VERSIONS 5-964702-3, 0-964702-3, 0-964702-1
- 17 KEYING ACC. TO RAST-5 STANDARD; COLOUR IS DIFFERENT
- 18 8 POS. SPECIAL VERSION WITH SWAGED KEYING RIB
- 19 SPECIAL MATERIAL PA66/6, UL 94 V0
- 20 DIMENSION "A" IS ACCEPTED WITHIN TOLERANCE +0.05/-0.20.
- 21 PRELIMINARY PART- NOT YET RELEASED FOR PRODUCTION
- 22 ONLY FOR PN 2178600-2, 3-2178600-2, 4-2178600-2, 5-2178600-2, TOLERANCE IS +0.4 -0.2, WORST CASE CAN BE OUT OF RAST STANDARD.
- 23 ONLY FOR PN 2178600-2, 3-2178600-2, 4-2178600-2, 5-2178600-2, TOLERANCE IS +0.4 -0.2
- 24 ONLY FOR PN 2178600-2, 3-2178600-2, 4-2178600-2, 5-2178600-2, TOLERANCE IS ±4°
- 25 ONLY FOR PN 3-1241965-5, 3-1241965-7 TOLERANCE IS +0.3 -0.2
- 26 ONLY FOR PN 3-1241965-5, 3-1241965-7 TOLERANCE IS +0.2 -0.2
- 27 ONLY FOR PN 3-1241965-5, 3-1241965-7 TOLERANCE IS +0.05 -0.2
- 28 OBSOLETE PART
- 29 ONLY FOR 4-1241965-7, 1-2364737-1, TOLERANCE IS -0.3
- 30 ONLY FOR 4-1241965-7, TOLERANCE IS +0.2/-0.25
- 31 ONLY FOR 1-2178029-3, TOLERANCE IS +0.15/-0.2

ADDITIONAL NOTES SEE 3 OF SHEET 4

THIS DRAWING IS A CONTROLLED DOCUMENT.		DMN: Kishor M	16JUL2017	TE Connectivity
DIMENSIONS: mm		CHK: K. Münz	07-NOV-06	
TOLERANCES UNLESS OTHERWISE SPECIFIED:		APVD: Th. Klenner	07-NOV-06	NAME: 2-12 POS. STANDARD TIMER HSG WITH EXTERIOR LOCKING
0-PLC ±0.2 1-PLC ±0.1 2-PLC ±0.05 3-PLC ±0.001 4-PLC ±0.0001		PRODUCT SPEC: 108-18049-1 APPLICATION SPEC:		
MATERIAL: SEE TABLES		WEIGHT: -	SIZE: A1	RESTRICTED TO: -
FINISH: -		Customer Drawing	SCALE: 5:1	SHEET: 1 OF 4
				REV: C3

# KEYING PLAN

LOC	DIST	REV	DATE	BY	APPV
A1	-	1	-	-	-

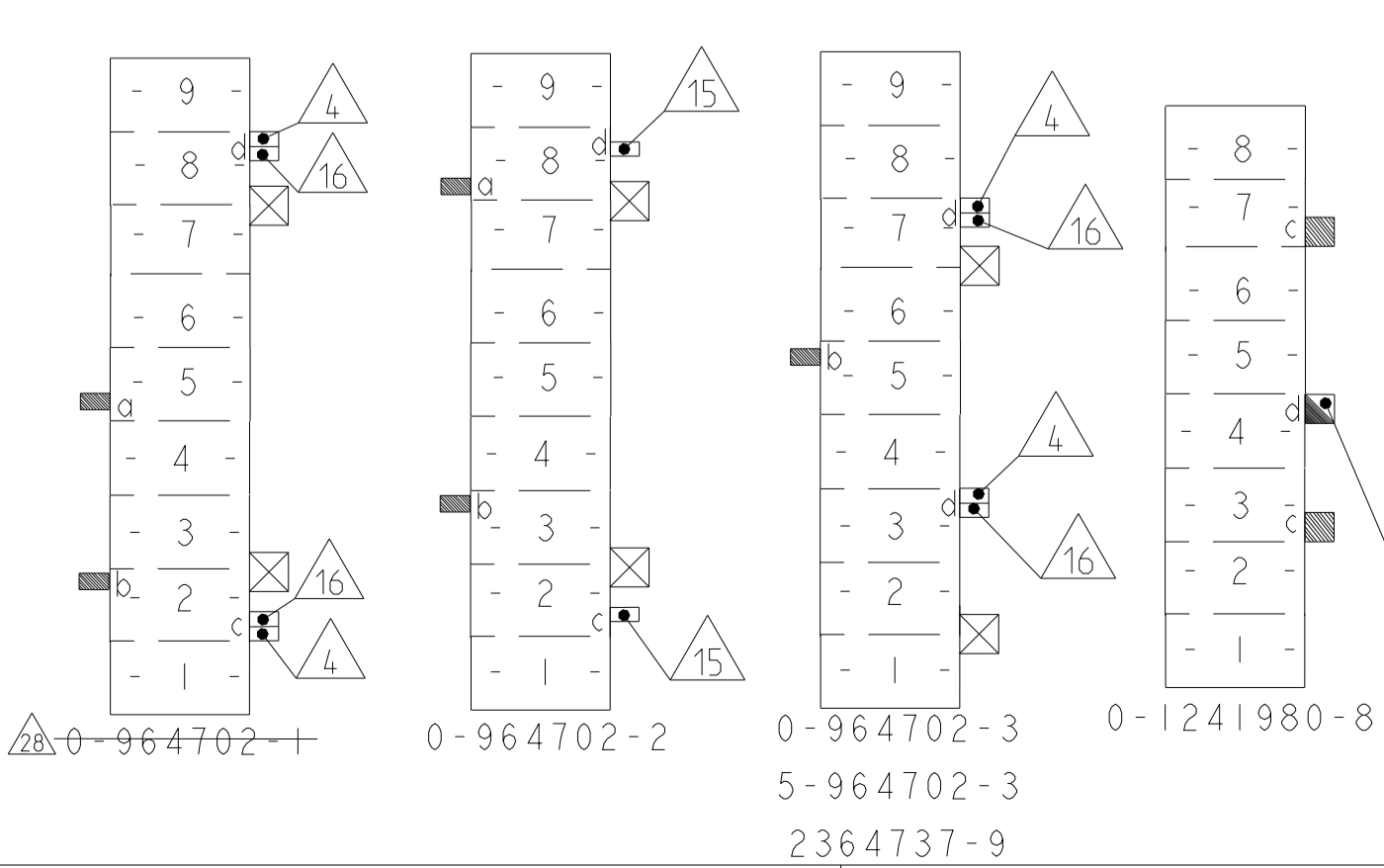


PART NO.	POS.	RAST 5	DIM A	DIM B	COLOUR	MATERIAL	LOCKING LATCH	MATED WITH
Bestell-Nr.	Pol.	Rast 5	Maß A	Maß B	Farbe		Rasthaken	Gegenstecker
3-1241965-7	7	07-C	35	30	NATURAL	PA6 GF15 UL94V-2	D	12/13
3-1241965-5	5	05-B	25	20	NATURAL	UL94V-2	D	12/13
8-2178600-2	2	02-C	10	5	NATURAL	PA6 GF15 UL94V-2	B	12/13
5-2178600-2	2	02-B	10	5	BLACK	UL94V-2	B	12/13
4-2178600-2	2	02-I	10	5	RED	UL94V-2	B	12/13
3-2178600-2	2	02-G	10	5	BLUE	UL94V-2	B	12/13
0-2178600-2	2	02-A	10	5	NATURAL	UL94V-2	B	12/13
2-1241965-7	7	07-C	35	30	NATURAL	PA6 UL94V-2	B	12/13
1-1241965-6	6	06-C	30	25	NATURAL	UL94V-2	B	12/13
0-1241965-6	6	06-A	30	25	NATURAL	UL94V-2	B	12/13
5-1241965-3	3	-	15	10	NATURAL	UL94V-2	A	12/13
0-1241965-3	3	-	15	10	NATURAL	UL94V-2	B	12/13
6-1241965-2	2	02-E	10	5	NATURAL	UL94V-2	B	12/13

5-2178029-5	5	-	25	20	GREEN	UL94V-0	B	12/13
2-2178029-5	5	-	25	20	BLACK	UL94V-0	B	12/13
4-2178029-4	4	-	20	15	NATURAL	UL94V-0	B	12/13
9-2178029-3	3	-	15	10	YELLOW	UL94V-0	B	12/13
1-2178029-3	3	-	15	10	NATURAL	UL94V-0	B	12/13
0-2178029-3	3	-	15	10	NATURAL	UL94V-0	B	12/13
5-2178029-2	2	02-B	10	5	NATURAL	UL94V-0	B	12/13
4-2178029-2	2	02-I	10	5	NATURAL	UL94V-0	B	12/13
3-2178029-2	2	02-K	10	5	NATURAL	UL94V-0	B	12/13
2-2178029-2	2	02-B	10	5	BLACK	UL94V-0	B	12/13
1-2178029-2	2	02-I	10	5	RED	UL94V-0	B	12/13
0-2178029-2	2	02-K	10	5	GREEN	UL94V-0	B	12/13

PART NO.	POS.	RAST 5	DIM A	DIM B	COLOUR	MATERIAL	LOCKING LATCH	MATED WITH
Bestell-Nr.	Pol.	Rast 5	Maß A	Maß B	Farbe		Rasthaken	Gegenstecker

## SPECIAL VERSIONS SEE SHEET 3 OF 3



LOC	DIST	REV	DATE	BY	APPV
A1	-	1	-	-	-

REV	DATE	DESCRIPTION	DATE	BY	APPV
1	-	SEE SHEET 1	-	-	-

REV	DATE	DESCRIPTION	DATE	BY	APPV
1	-	SEE SHEET 1	-	-	-

REV	DATE	DESCRIPTION	DATE	BY	APPV
1	-	SEE SHEET 1	-	-	-

REV	DATE	DESCRIPTION	DATE	BY	APPV
1	-	SEE SHEET 1	-	-	-

REV	DATE	DESCRIPTION	DATE	BY	APPV
1	-	SEE SHEET 1	-	-	-

REV	DATE	DESCRIPTION	DATE	BY	APPV
1	-	SEE SHEET 1	-	-	-

REV	DATE	DESCRIPTION	DATE	BY	APPV
1	-	SEE SHEET 1	-	-	-

REV	DATE	DESCRIPTION	DATE	BY	APPV
1	-	SEE SHEET 1	-	-	-

REV	DATE	DESCRIPTION	DATE	BY	APPV
1	-	SEE SHEET 1	-	-	-

REV	DATE	DESCRIPTION	DATE	BY	APPV
1	-	SEE SHEET 1	-	-	-

REV	DATE	DESCRIPTION	DATE	BY	APPV
1	-	SEE SHEET 1	-	-	-

REV	DATE	DESCRIPTION	DATE	BY	APPV
1	-	SEE SHEET 1	-	-	-

REV	DATE	DESCRIPTION	DATE	BY	APPV
1	-	SEE SHEET 1	-	-	-

REV	DATE	DESCRIPTION	DATE	BY	APPV
1	-	SEE SHEET 1	-	-	-

REV	DATE	DESCRIPTION	DATE	BY	APPV
1	-	SEE SHEET 1	-	-	-

REV	DATE	DESCRIPTION	DATE	BY	APPV
1	-	SEE SHEET 1	-	-	-

REV	DATE	DESCRIPTION	DATE	BY	APPV
1	-	SEE SHEET 1	-	-	-

REV	DATE	DESCRIPTION	DATE	BY	APPV
1	-	SEE SHEET 1	-	-	-

REV	DATE	DESCRIPTION	DATE	BY	APPV
1	-	SEE SHEET 1	-	-	-

REV	DATE	DESCRIPTION	DATE	BY	APPV
1	-	SEE SHEET 1	-	-	-

REV	DATE	DESCRIPTION	DATE	BY	APPV
1	-	SEE SHEET 1	-	-	-

REV	DATE	DESCRIPTION	DATE	BY	APPV
1	-	SEE SHEET 1	-	-	-

REV	DATE	DESCRIPTION	DATE	BY	APPV
1	-	SEE SHEET 1	-	-	-

REV	DATE	DESCRIPTION	DATE	BY	APPV
1	-	SEE SHEET 1	-	-	-

REV	DATE	DESCRIPTION	DATE	BY	APPV
1	-	SEE SHEET 1	-	-	-

REV	DATE	DESCRIPTION	DATE	BY	APPV
1	-	SEE SHEET 1	-	-	-

REV	DATE	DESCRIPTION	DATE	BY	APPV
1	-	SEE SHEET 1	-	-	-

REV	DATE	DESCRIPTION	DATE	BY	APPV
1	-	SEE SHEET 1	-	-	-

REV	DATE	DESCRIPTION	DATE	BY	APPV
1	-	SEE SHEET 1	-	-	-

REV	DATE	DESCRIPTION	DATE	BY	APPV
1	-	SEE SHEET 1	-	-	-

REV	DATE	DESCRIPTION	DATE	BY	APPV
1	-	SEE SHEET 1	-	-	-

REV	DATE	DESCRIPTION	DATE	BY	APPV
1	-	SEE SHEET 1	-	-	-

REV	DATE	DESCRIPTION	DATE	BY	APPV
1	-	SEE SHEET 1	-	-	-

REV	DATE	DESCRIPTION	DATE	BY	APPV
1	-	SEE SHEET 1	-	-	-

REV	DATE	DESCRIPTION	DATE	BY	APPV
1	-	SEE SHEET 1	-	-	-

REV	DATE	DESCRIPTION	DATE	BY	APPV
1	-	SEE SHEET 1	-	-	-

REV	DATE	DESCRIPTION	DATE	BY	APPV
1	-	SEE SHEET 1	-	-	-

REV	DATE	DESCRIPTION	DATE	BY	APPV
1	-	SEE SHEET 1	-	-	-

REV	DATE	DESCRIPTION	DATE	BY	APPV
1	-	SEE SHEET 1	-	-	-

REV	DATE	DESCRIPTION	DATE	BY	APPV
1	-	SEE SHEET 1	-	-	-

REV	DATE	DESCRIPTION	DATE	BY	APPV
1	-	SEE SHEET 1	-	-	-

REV	DATE	DESCRIPTION	DATE	BY	APPV
1	-	SEE SHEET 1	-	-	-

REV	DATE	DESCRIPTION	DATE	BY	APPV
1	-	SEE SHEET 1	-	-	-

REV	DATE	DESCRIPTION	DATE	BY	APPV
1	-	SEE SHEET 1	-	-	-

REV	DATE	DESCRIPTION	DATE	BY	APPV
1	-	SEE SHEET 1	-	-	-

REV	DATE	DESCRIPTION	DATE	BY	APPV
1	-	SEE SHEET 1	-	-	-

REV	DATE	DESCRIPTION	DATE	BY	APPV
1	-	SEE SHEET 1	-	-	-

REV	DATE	DESCRIPTION	DATE	BY	APPV
1	-	SEE SHEET 1	-	-	-

REV	DATE	DESCRIPTION	DATE	BY	APPV
1	-	SEE SHEET 1	-	-	-

REV	DATE	DESCRIPTION	DATE	BY	APPV
1	-	SEE SHEET 1	-	-	-

REV	DATE	DESCRIPTION	DATE	BY	APPV
1	-	SEE SHEET 1	-	-	-

REV	DATE	DESCRIPTION	DATE	BY	APPV
1	-	SEE SHEET 1	-	-	-

REV	DATE	DESCRIPTION	DATE	BY	APPV
1	-	SEE SHEET 1	-	-	-

REV	DATE	DESCRIPTION	DATE	BY	APPV
1	-	SEE SHEET 1	-	-	-

REV	DATE	DESCRIPTION	DATE	BY	APPV
1	-	SEE SHEET 1	-	-	-

REV	DATE	DESCRIPTION	DATE	BY	APPV
1	-	SEE SHEET 1	-	-	-

REV	DATE	DESCRIPTION	DATE	BY	APPV
1	-	SEE SHEET 1	-	-	-

REV	DATE	DESCRIPTION	DATE	BY	APPV
1	-	SEE SHEET 1	-	-	-

REV	DATE	DESCRIPTION	DATE	BY	APPV
1	-	SEE SHEET 1	-	-	-

REV	DATE	DESCRIPTION	DATE	BY	APPV
1	-	SEE SHEET 1	-	-	-

REV	DATE	DESCRIPTION	DATE	BY	APPV
1	-	SEE SHEET 1	-	-	-

REV	DATE	DESCRIPTION	DATE	BY	APPV
1	-	SEE SHEET 1	-	-	-

REV	DATE	DESCRIPTION	DATE	BY	APPV
1	-	SEE SHEET 1	-	-	-

REV	DATE	DESCRIPTION	DATE	BY	APPV
1	-	SEE SHEET 1	-	-	-

REV	DATE	DESCRIPTION	DATE	BY	APPV
1	-	SEE SHEET 1	-	-	-

REV	DATE	DESCRIPTION	DATE	BY	APPV
1	-	SEE SHEET 1	-	-	-

REV	DATE	DESCRIPTION	DATE	BY	APPV
1	-	SEE SHEET 1	-	-	-

REV	DATE	DESCRIPTION	DATE	BY	APPV
1	-	SEE SHEET 1	-	-	-

REV	DATE	DESCRIPTION	DATE	BY	APPV
1	-	SEE SHEET 1	-	-	-


LOC	DIST	REVISIONS					
		P	LTN	DESCRIPTION	DATE	DWN	APVD
A1	-			SEE SHEET 1			

- △32 ONLY FOR 2322912-3. TOLERANCE IS +0.1/-0.15
- △33 ONLY FOR 2322912-6. 1-2364737-1. TOLERANCE IS -0.30
- △34 CANDIDATE PRELIMINARY P/N. NOT YET OFFICIAL. ONLY FOR DISCUSSION. NOT YET RELEASED FOR PRODUCTION
- △35 DOUBLE SOURCE RESIN: ALTERNATIVE RESIN UNDER APPROVAL
- △36 DOUBLE SOURCE RESIN PA66/6

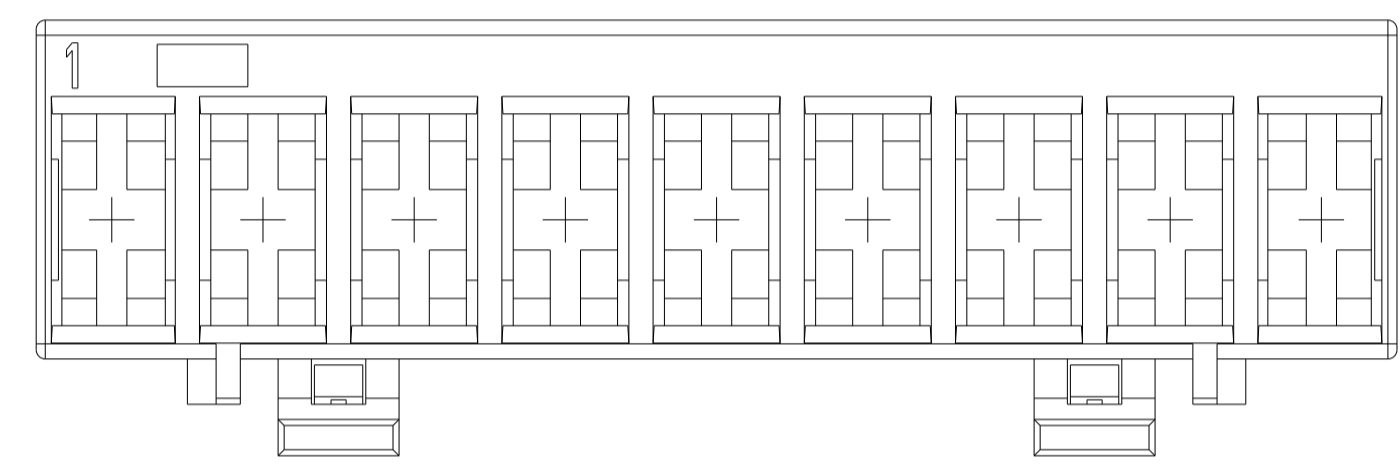
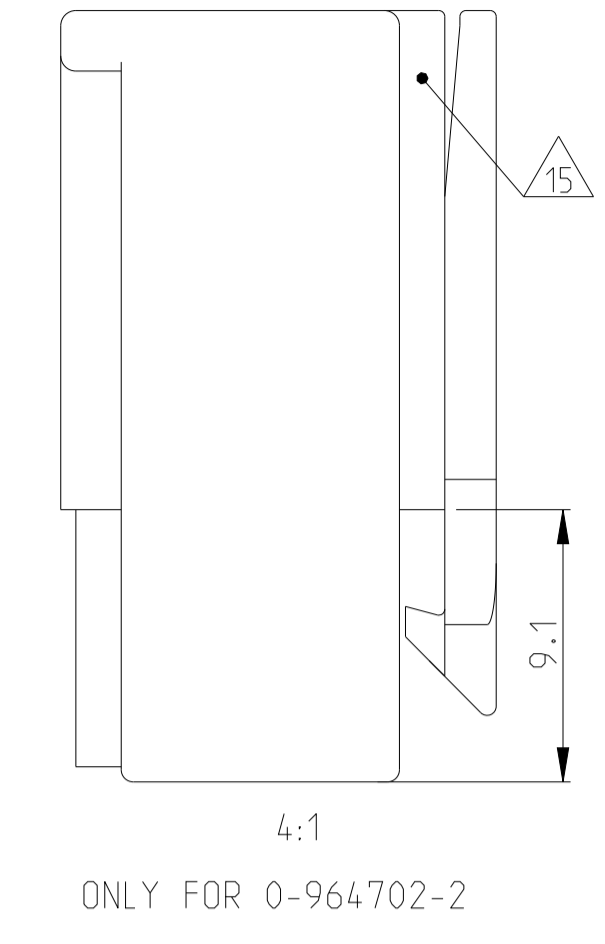
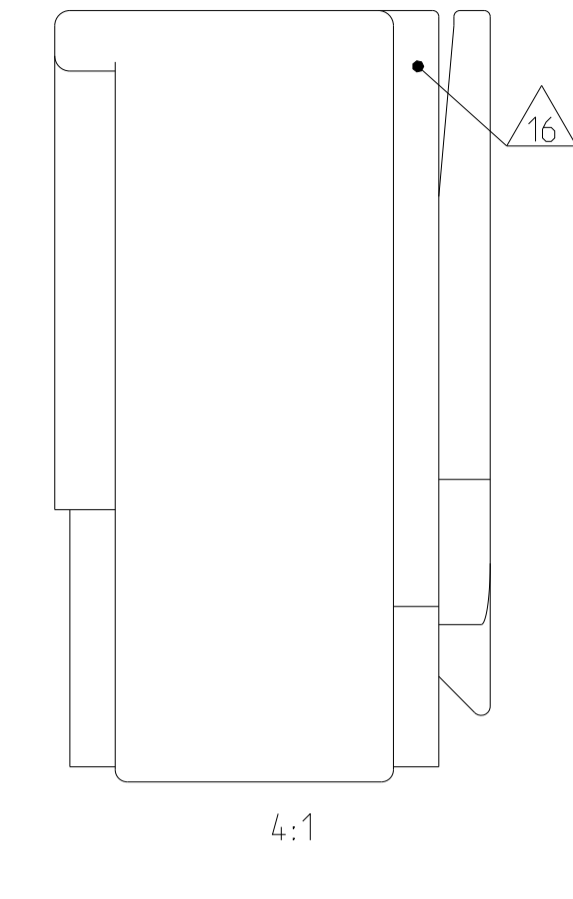
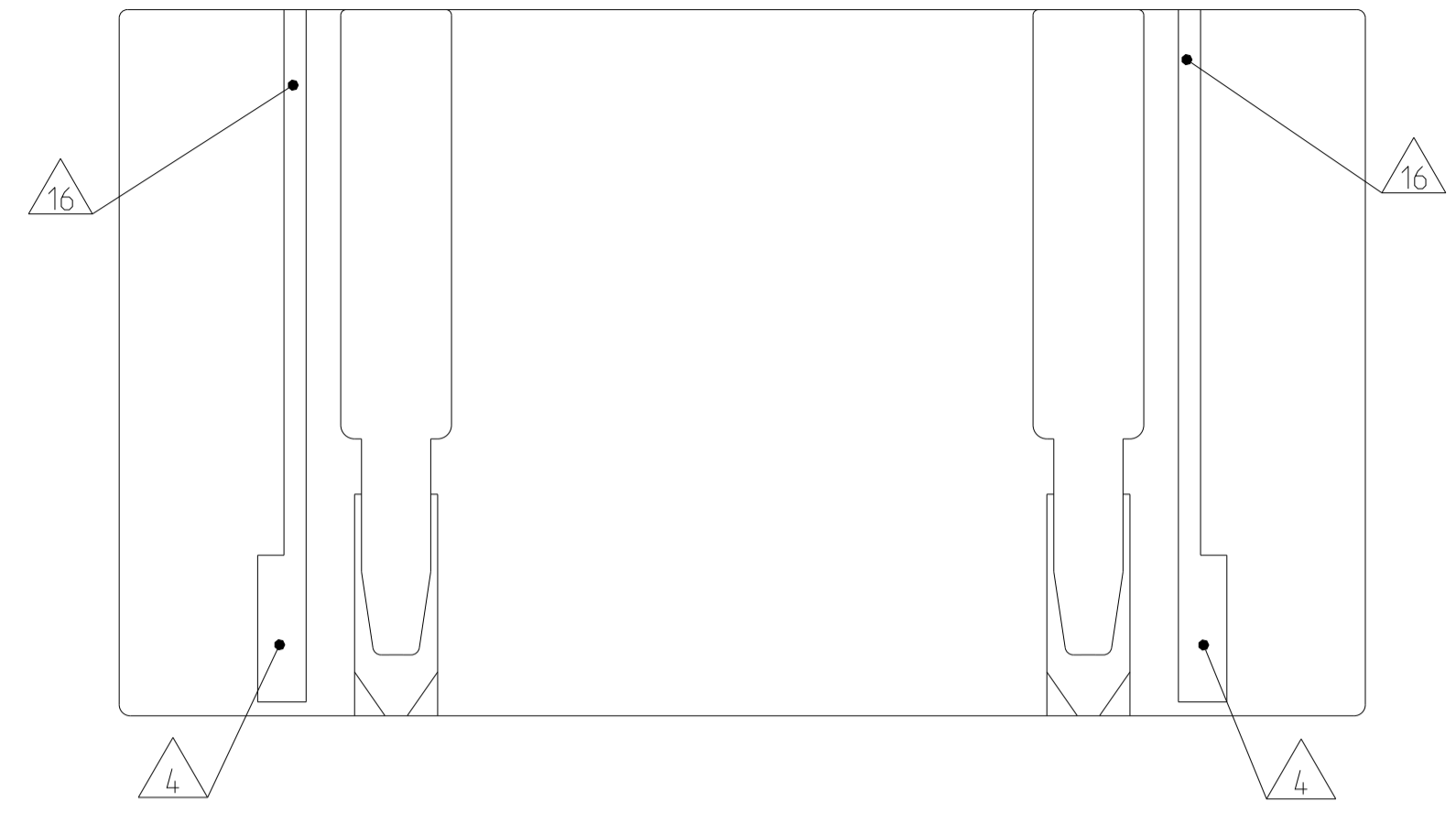
	6-1241965-5	5	-	25	20	NATURAL	UL94-V0 & GWPT 750	D	△12 △13
	5-1241965-5	5	05-B	25	20	NATURAL	no flame △12 △13	E	△12 △13
△12 △13	1-2364737-1	11	11-B	55	50	BLUE	UL94-V0 & GWPT 750 no flame △12 △13	B	△12 △13
	2364737-9	9	-	45	40	BLUE		C	△12 △13
	2364737-5	5	-	25	20	BLUE		B	△12 △13
	1-2364737-2	2	02-B	10	5	BLUE		B	△12 △13
	2364737-2	2	02-A	10	5	BLUE		B	△12 △13
	2322912-8	8	08-D	40	35	BLUE	PA66 UL94 V0 GWT 750	B	△12 △13
△12	1-2322912-6	6	06-D	30	25	NATURE		B	△12 △13
	2322912-6	6	06-D	30	25	BLUE		B	△12 △13
	2322912-3	3	-	15	10	YELLOW		B	△12 △13
	2-2322912-2	2	02-A	10	5	NATURE		B	△12 △13
△12	1-2322912-2	2	02-G	10	5	BLUE		B	△12 △13
	2322912-2	2	02-C	10	5	GREY	B	△12 △13	
	5-1241965-7	7	07-C	35	30	NATURAL	PA66 UL94 V0 GWT 750 CT1350	E	△12 △13
	4-1241965-7	7	-	35	30	NATURAL		E	△12 △13
△12	5-1241965-5	5	05-B	25	20	NATURAL		E	△12 △13
	5-1241965-4	4	-	20	15	NATURAL		E	△12 △13
△12	4-1241965-4	4	-	20	15	NATURAL		E	△12 △13
	3-1241965-4	4	-	20	15	NATURAL		E	△12 △13
	2-1241965-4	4	-	20	15	NATURAL		E	△12 △13
	1-1241965-4	4	04-C	20	15	NATURAL		E	△12 △13
	8-1241965-2	2	02-C	10	5	NATURAL		E	△12 △13
	2-1241965-2	2	-	10	5	NATURAL		E	△12 △13
	PART NO.	POS.	RAST 5	DIM A	DIM B	COLOUR	MATERIAL	LOCKING LATCH	MATED WITH
SPECIAL VERSION: UL94 V0 & GWT 750									

2345754-1	2	02-C	10	5	NATURAL	PA66 UL94 V0	E	△12 △13
PART NO.	POS.	RAST 5	DIM A	DIM B	COLOUR	MATERIAL	LOCKING LATCH	MATED WITH
SPECIAL VERSION: UL94 V0								

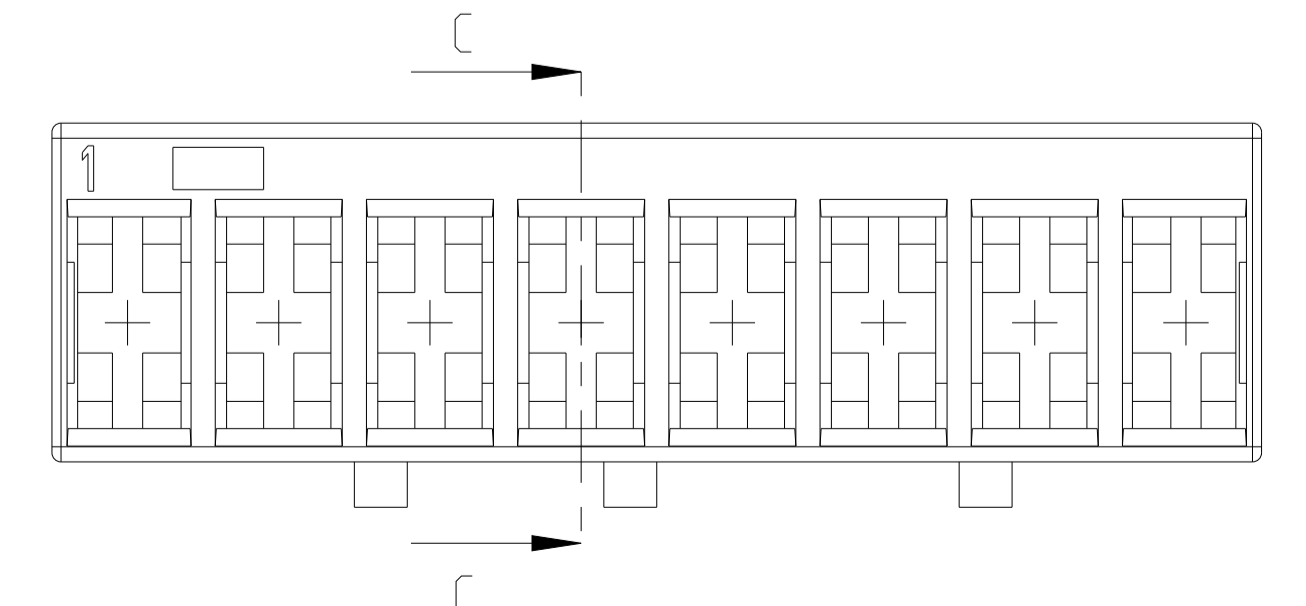
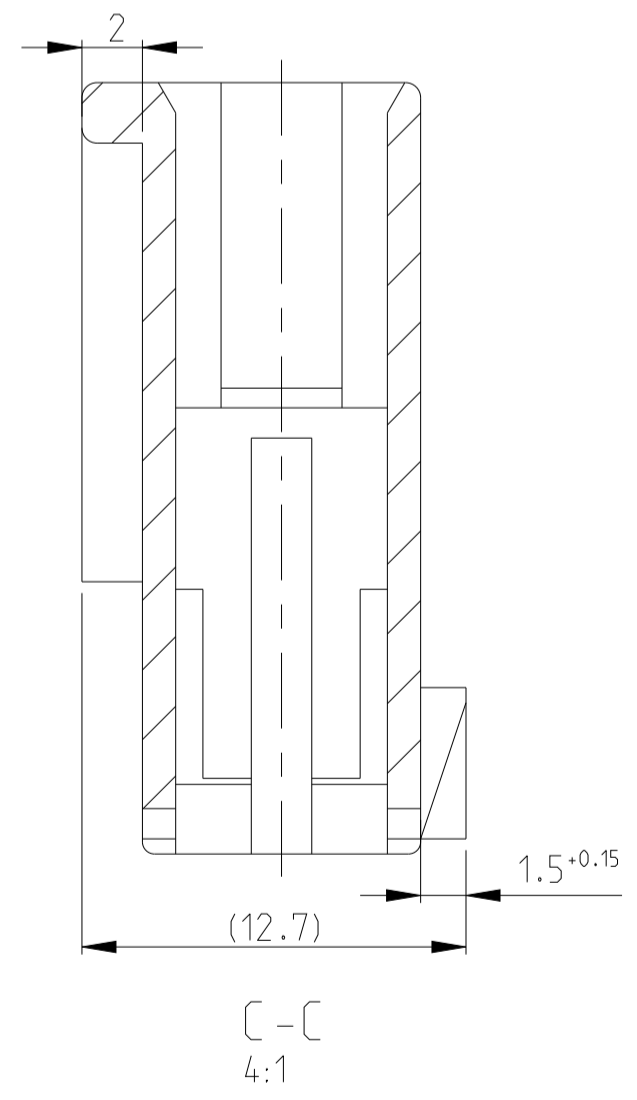
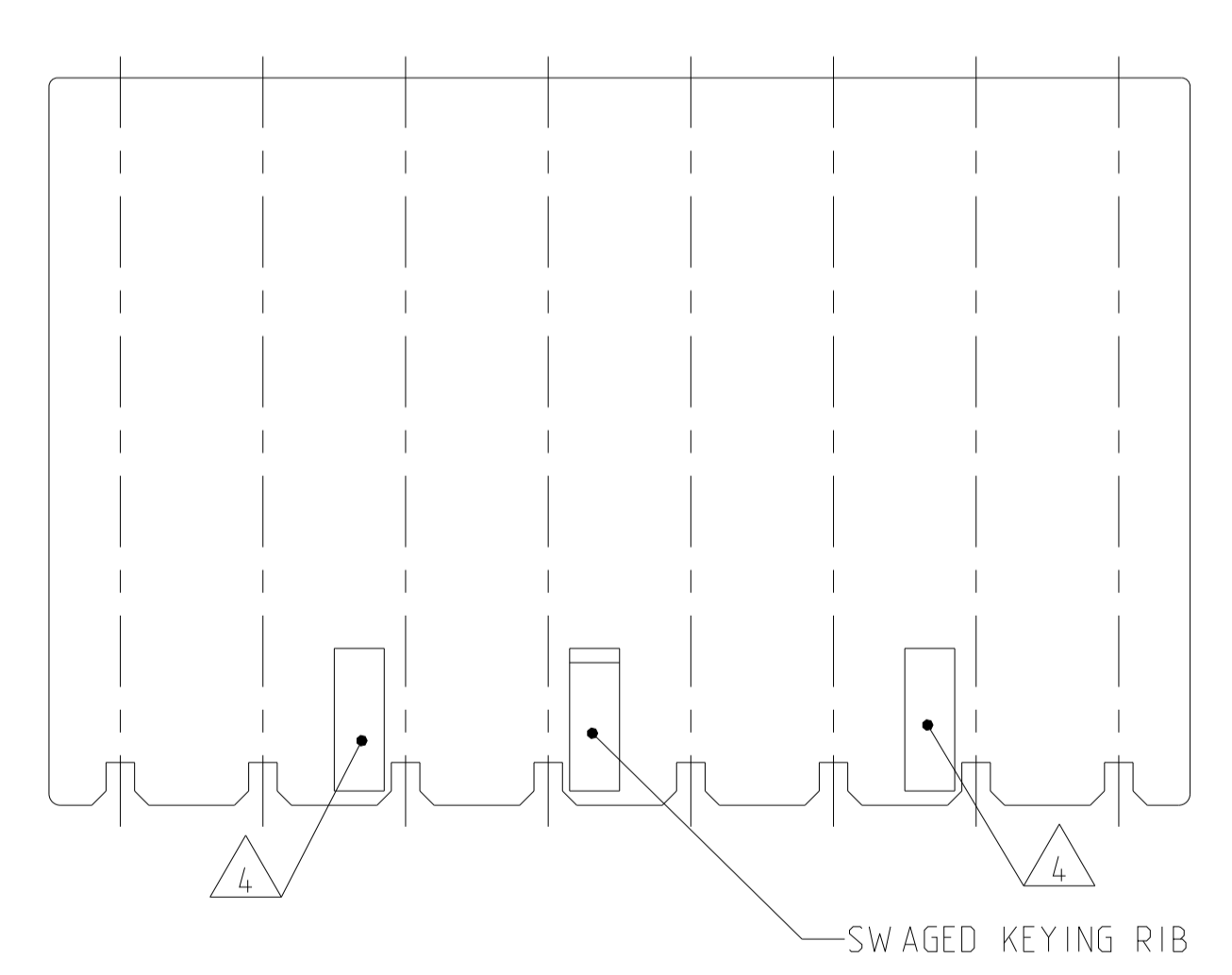
KEYING PLAN SEE SHEET 2 OF 4

THIS DRAWING IS A CONTROLLED DOCUMENT.		OWN Kishor M	18JUL2017	 TE Connectivity
DIMENSIONS: mm		CHK K. Munz	07-NOV-06	
TOLERANCES UNLESS OTHERWISE SPECIFIED:		APVD Th. Klenner	07-NOV-06	NAME
0 PLC ±		PRODUCT SPEC		2-12 POS. STANDARD TIMER HSG WITH EXTERIOR LOCKING
1 PLC ±0.1		APPLICATION SPEC		
2 PLC ±0.01		RESTRICTED TO		
3 PLC ±0.001		SIZE		A1
4 PLC ±0.0001		CAGE CODE		100779
ANGLES FINISH		DRAWING NO		4241965
MATERIAL SEE TABLES		WEIGHT		-
		Customer Drawing		SCALE 5:1 SHEET 3 OF 4 REV 3

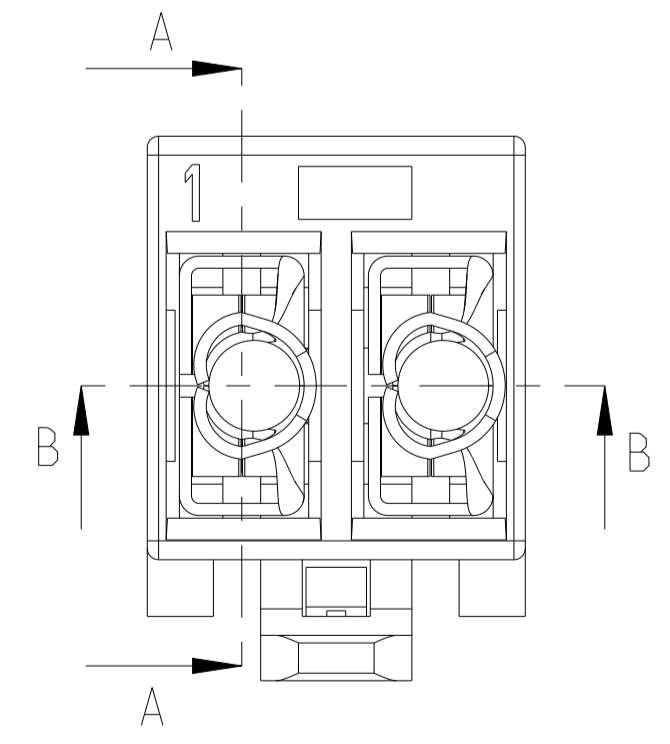
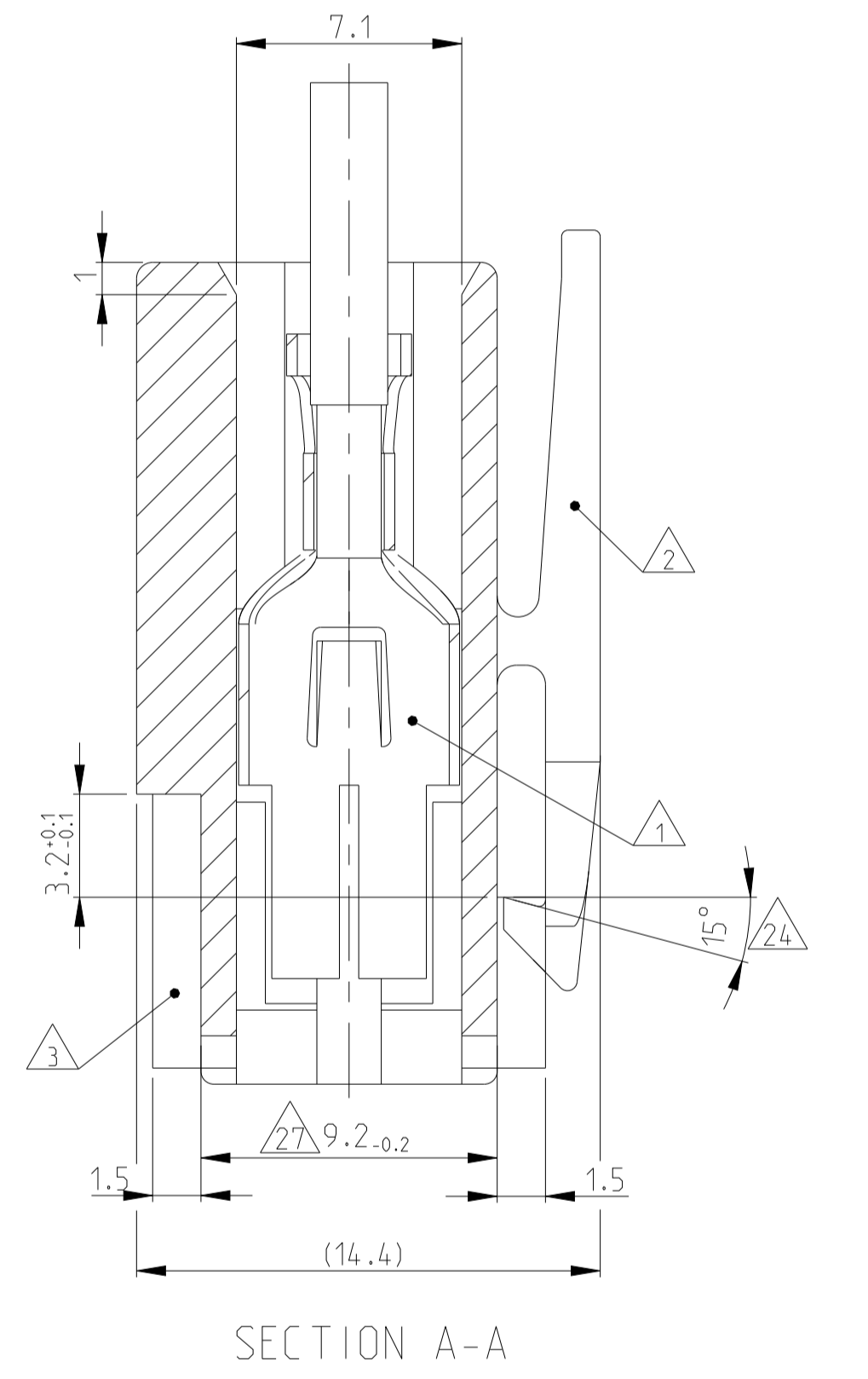
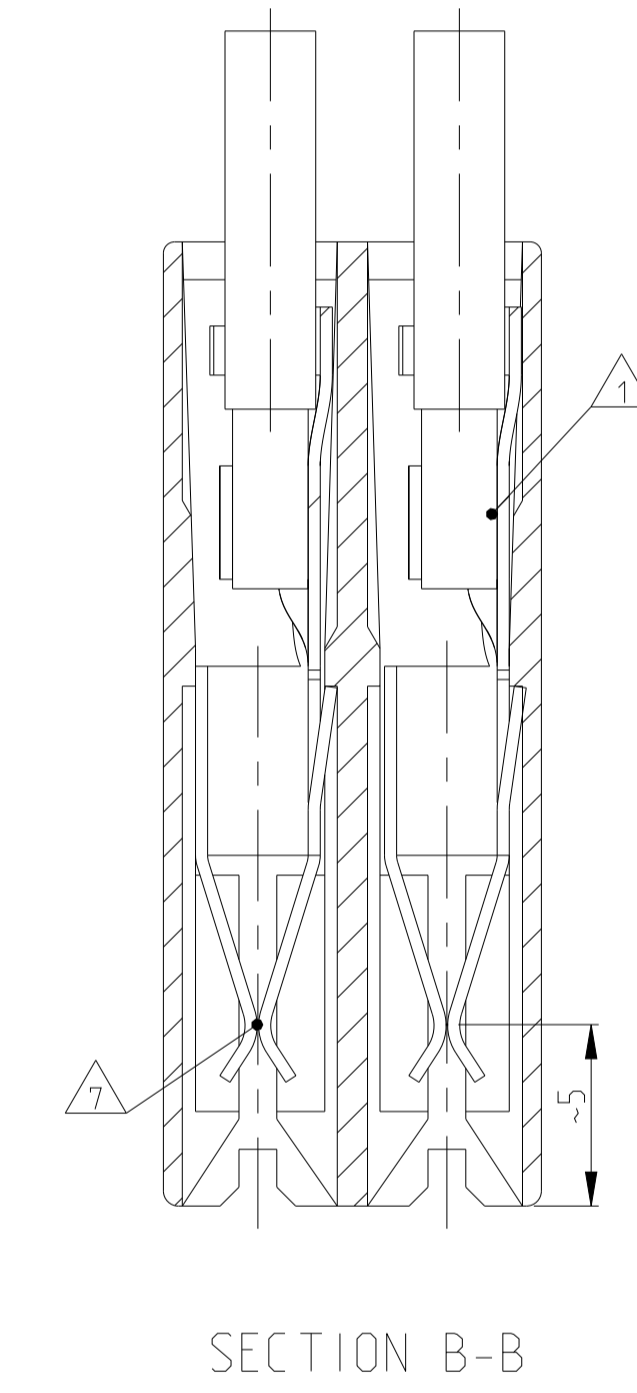
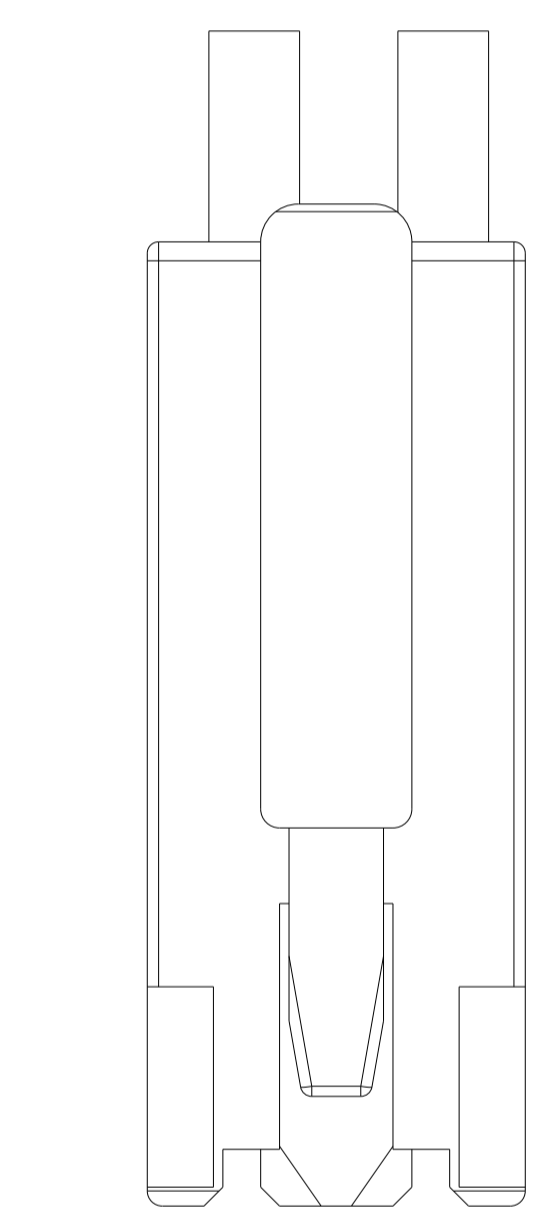
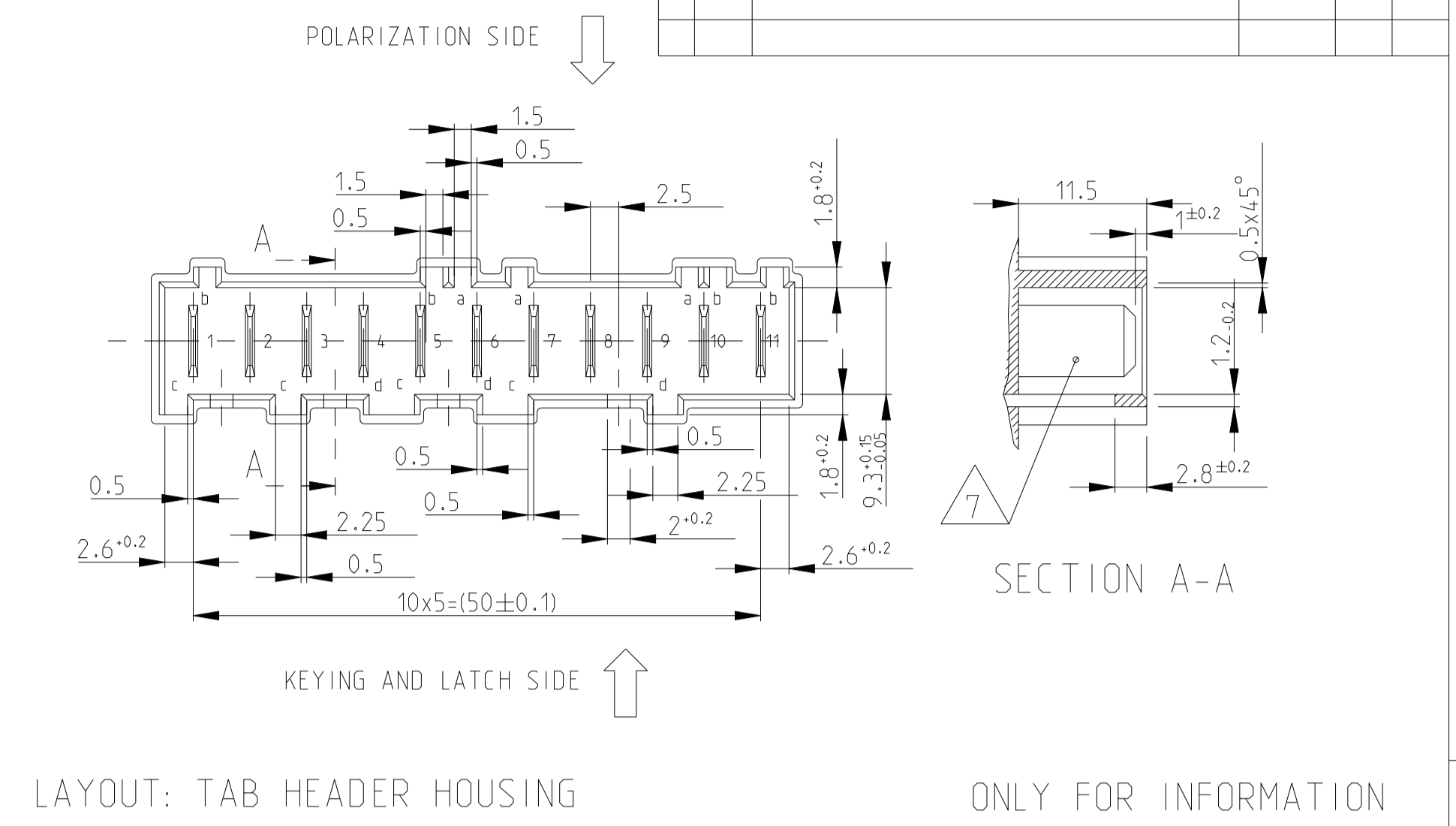
SPECIAL VERSIONS  $\triangle 15$   $\triangle 16$   
 9 POS STD. TIMER HSG. WITH TANGLING PROTECTION



SPECIAL VERSION  $\triangle 18$   
 8 POS SPECIAL STD. TIMER HSG.



LOC	DIST	REVISIONS			
P	LTN	DESCRIPTION	DATE	OWN	APVD
-	-	SEE SHEET 1	-	-	-



THIS DRAWING IS A CONTROLLED DOCUMENT.		OWN: Kishor M	18 JUL 2017	<b>TE</b> TE Connectivity
DIMENSIONS: mm		CHK: K. Munz	07-NOV-06	
TOLERANCES UNLESS OTHERWISE SPECIFIED: ±0.2		APVD: Th. Klenner	07-NOV-06	NAME
0-PLC ±0.1		PRODUCT SPEC		2-12 POS. STANDARD TIMER HSG WITH EXTERIOR LOCKING
1-PLC ±0.1		APPLICATION SPEC		108-18049
2-PLC ±0.001		RESTRICTED TO		SIZE: A1
3-PLC ±0.001		MATERIAL: SEE TABLES		CAGE CODE: 00779
4-PLC ±0.0001		WEIGHT: -		DRAWING NO: C=1241965
ANGLES FINISH: -		Customer Drawing		SCALE: 5:1
		SHEET 4 OF 4		REV: C3