

4

3

2

1

THIS DRAWING IS UNPUBLISHED.

RELEASED FOR PUBLICATION

20

LOC

DIST

REVISIONS

© COPYRIGHT 20 BY TYCO ELECTRONICS CORPORATION. ALL RIGHTS RESERVED.

DS

-

P

LTR

DESCRIPTION

DATE

DWN

APVD

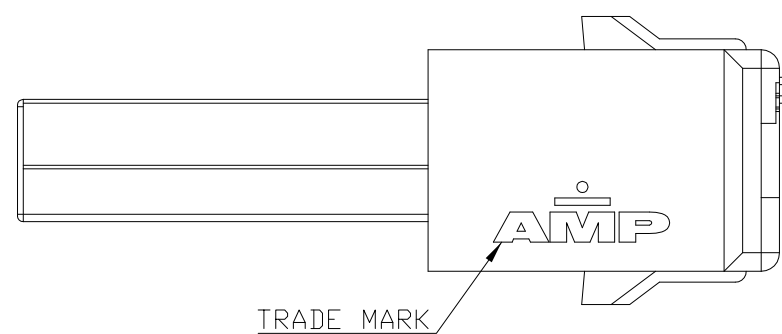
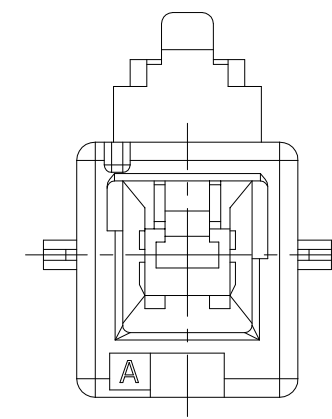
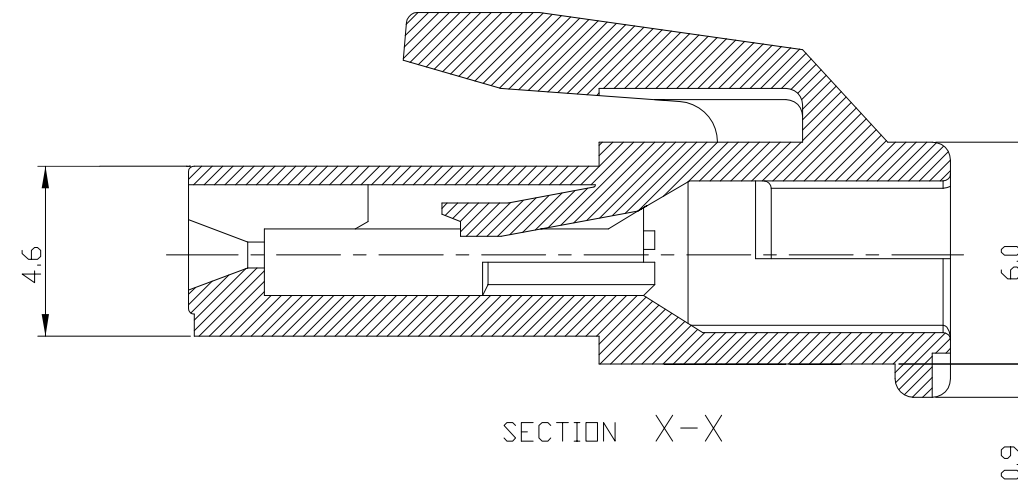
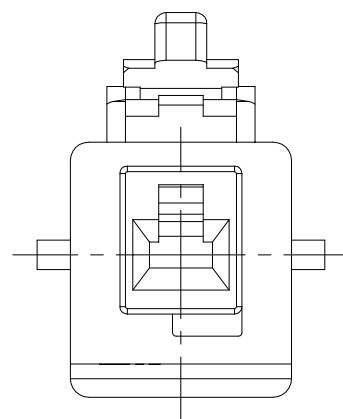
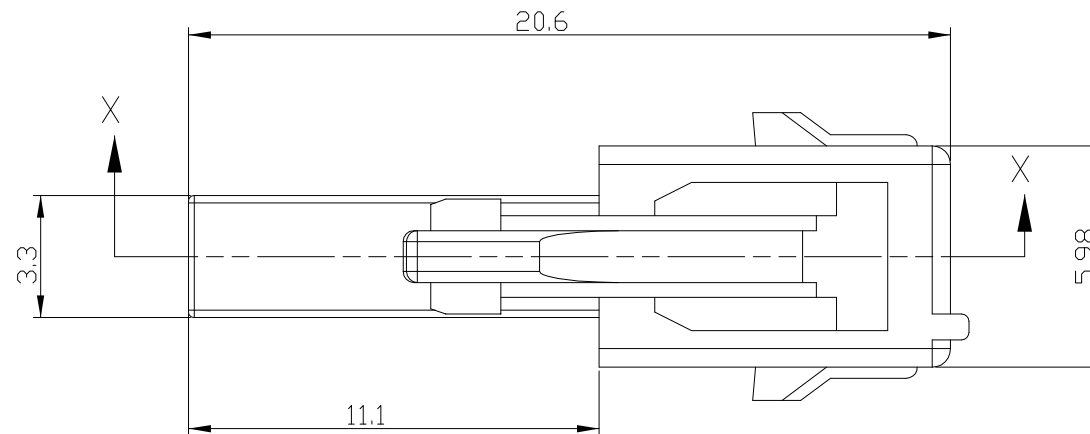
B

REVISED PER ECR-19-009721

10 JUL '19

M.G

D.Z



NOTE:
 1. THIS HOUSING ACCEPTS RECEPTACLE TERMINAL:
 - REC CONTACT: 177915- □ (AWG#16-#20)
 : 177914- □ (AWG#22-#26)
 2. MATING CONN. P/N
 - TAB CONTACT: 177917- □ (AWG#16-#20)
 : 177916- □ (AWG#22-#26)
 3. APPLICABLE DOUBLE LOCK PLATE: 316770-1
 *IT SHOULD BE USED CERTAINLY WHEN CABLE ASS'Y
 4. GENERAL TOLERANCES: ±0.3
 MATERIAL: PA66, UL 94V-0,
 COMPLY WITH GLOW WIRE REQUIREMENT FOR PARTS
 OF NON-METALLIC MATERIALS SUPPORTING CURRENT-CARRYING
 CONNECTION DETAILED IN IEC 60335-1, SECTION 30 (GWT)

2005246-9	BLACK
2005246-6	BLUE
2005246-4	YELLOW
2005246-2	RED
2005246-1	NATURAL
P/N	COLOR

THIS DRAWING IS A CONTROLLED DOCUMENT FOR TYCO ELECTRONICS CORPORATION
 IT IS SUBJECT TO CHANGE AND THE CONTROLLING ENGINEERING ORGANIZATION
 SHOULD BE CONTACTED FOR THE LATEST REVISION.

DIMENSIONS:	TOLERANCES UNLESS OTHERWISE SPECIFIED:
mm	0 PLC ±-
	1 PLC ±0.1
	2 PLC ±0.01
	3 PLC ±0.001
	4 PLC ±0.0001
	ANGLES ±-
MATERIAL	FINISH -

DWN	SC KIM	Tyco Electronics	AMP KOREA	
CHK	BW KANG		Kyungsan, Korea	
APVD	JK SONG	NAME	PDL 1P PLUG HSG (GWT)	
PRODUCT SPEC	108-5410	SIZE	CAGE CODE	DRAWING NO
APPLICATION SPEC	114-5175	A3	00779	2005246
WEIGHT	-	RESTRICTED TO	-	
CUSTOMER DRAWING	SCALE 5:1	SHEET 1	OF 1	REV B