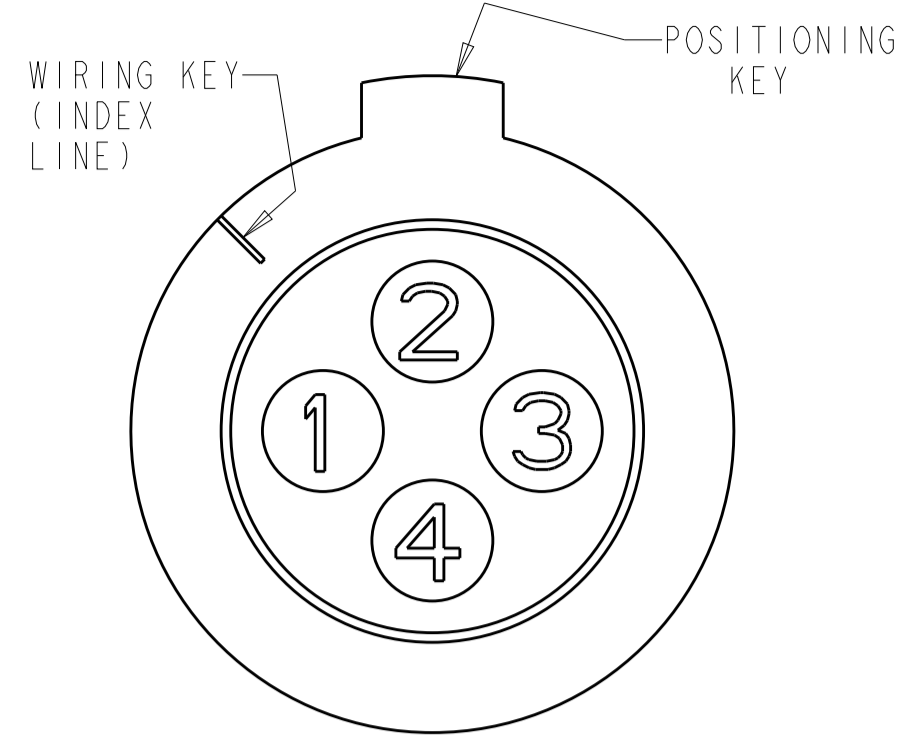


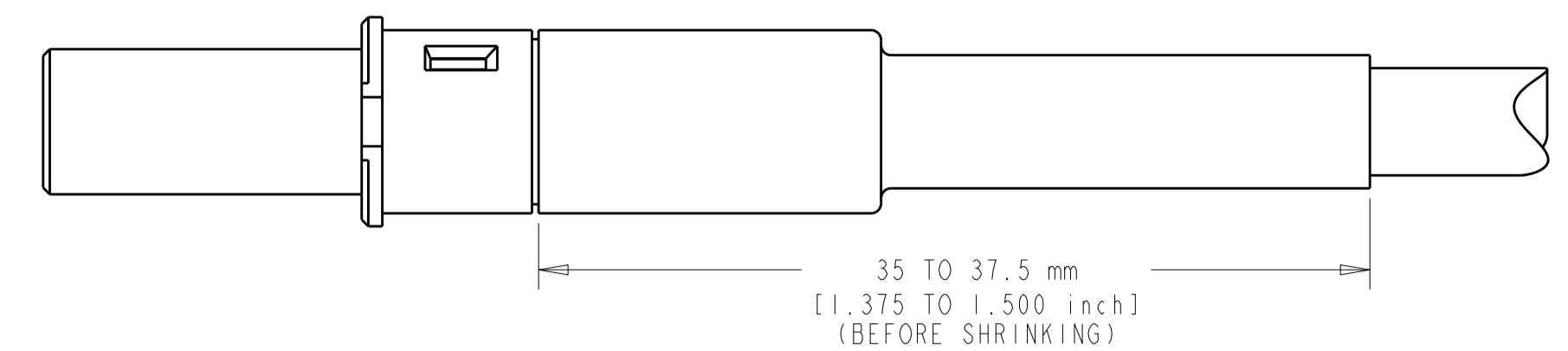
REVISIONS				
P.	LTM	DESCRIPTION	DATE	APPROV
A		REV PER ECO-07-011604	22JUN07	BH RW



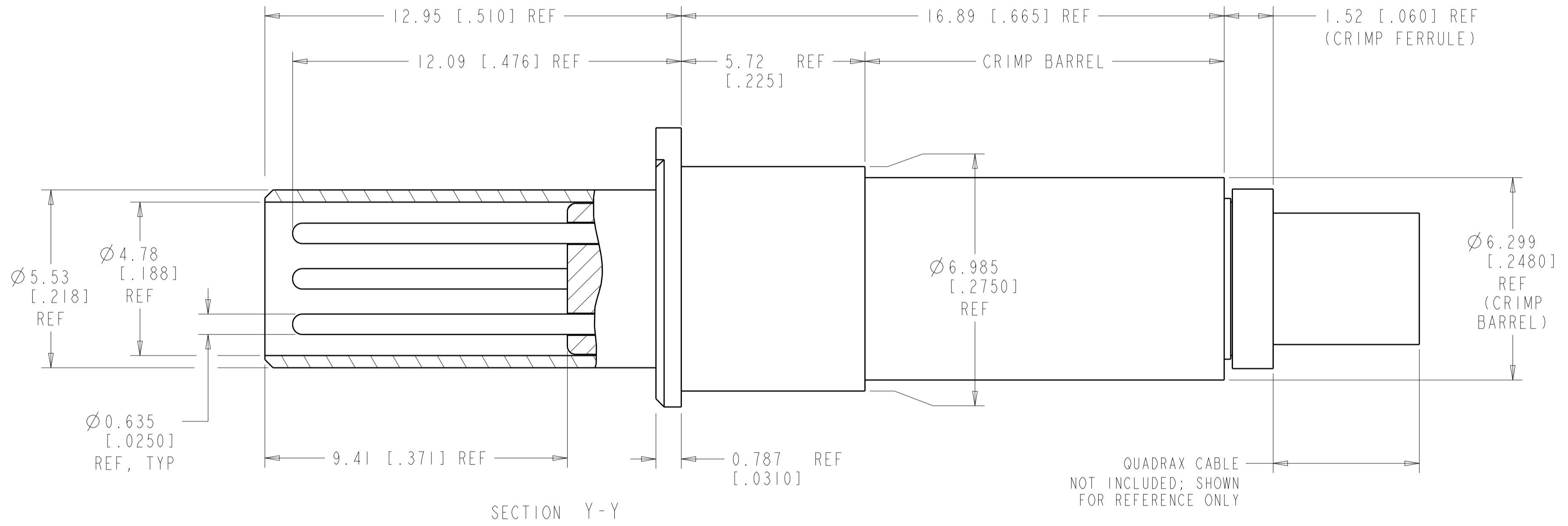
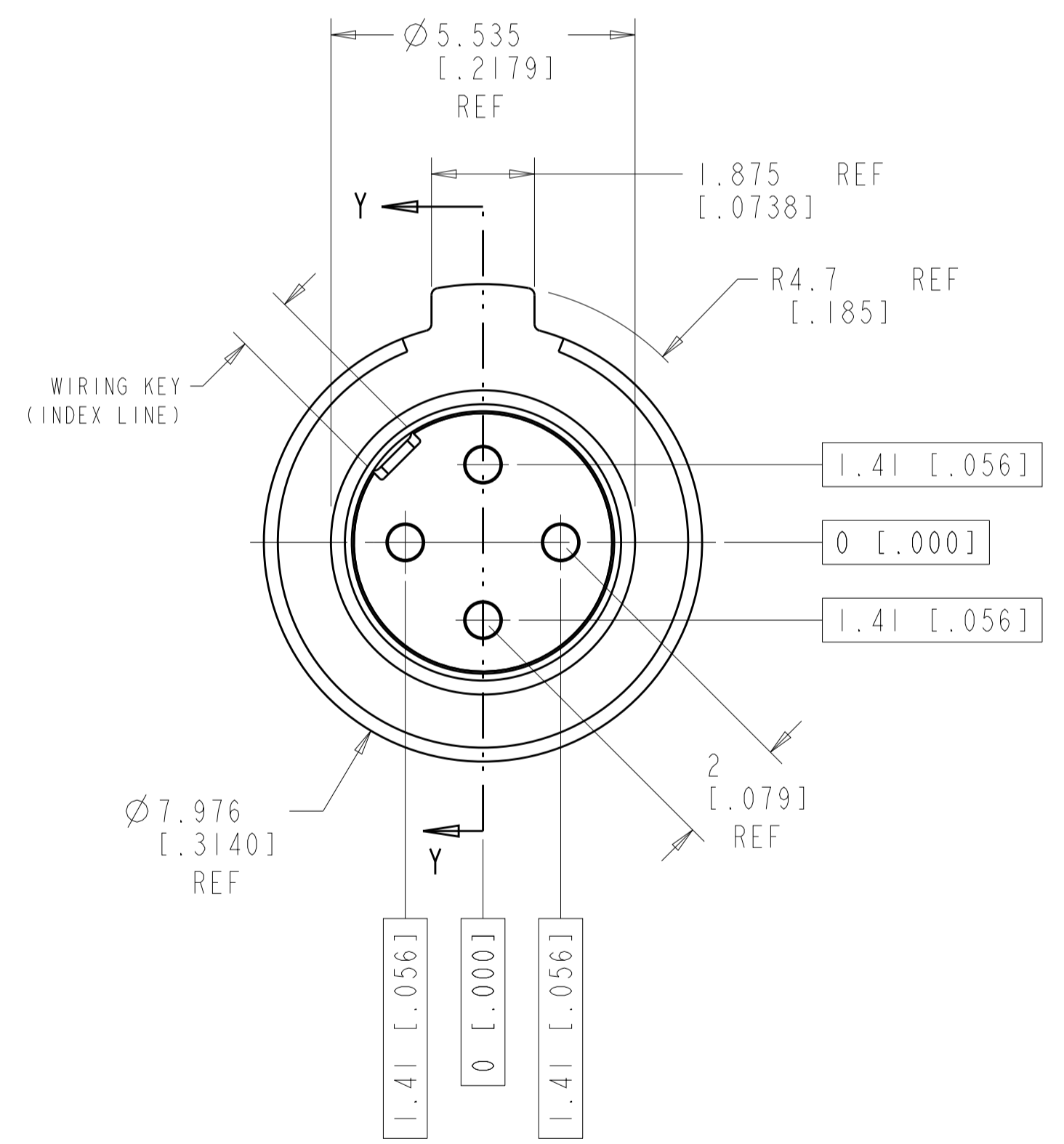
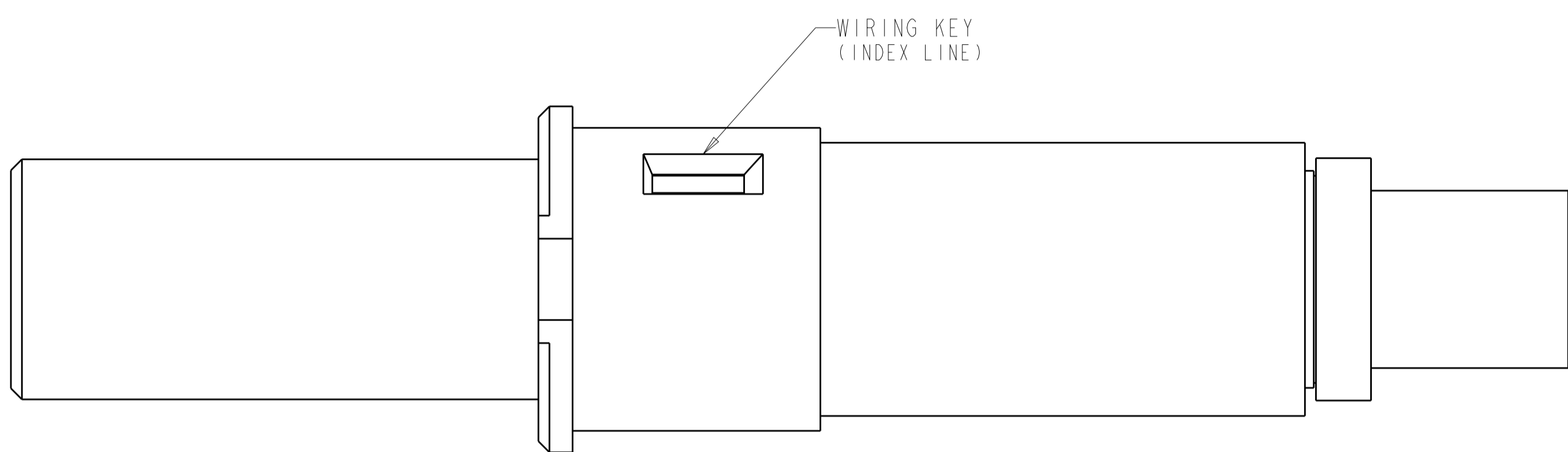
Rx-	4
Tx-	3
Rx+	2
Tx+	1
SIGNAL ALLOCATION	CAVITY NUMBER

MATING FACE VIEW

CONTACT CAVITY NUMBERING
STANDARD CAVITY NUMBER ASSIGNMENT



1811269-1 QUADRAX PIN CONTACT ASSEMBLY SHOWN WITH ADHESIVE-LINED POLYOLEFIN HEAT-SHRINK TUBING INSTALLED. TYCO ELECTRONICS / RAYCHEM BULK TUBING PART NUMBER 4-1191401-7.



QUADRAX CABLE NOT INCLUDED; SHOWN FOR REFERENCE ONLY

- COMPONENTS ARE PACKAGED IN KIT FORM. CABLE MUST BE PURCHASED SEPARATELY.
- ASSEMBLY PER APPLICATION SPECIFICATION 114-13123.
- USE INSERTION-EXTRACTION TOOL, TYCO PART NUMBER 1738894-1.

THIS DRAWING IS A CONTROLLED DOCUMENT.		DWN: J. SABO 26AUG2004		TE Connectivity
DIMENSIONS: mm [INCH]		CHK: W.H. BERNHART 26AUG2004		NAME: ASSEMBLY, QUADRAX PIN CONTACT, 100 OHM, WITH HEAT-SHRINK TUBING
TOLERANCES UNLESS OTHERWISE SPECIFIED:		APVD: W.H. BERNHART 26AUG2004	PRODUCT SPEC:	SIZE: A
0 PLC ±	1 PLC ±0.2 [0.008]	APPLICATION SPEC:	SCALE: 10:1	SHEET 1 OF 1
2 PLC ±0.13 [0.0051]	3 PLC ±0.051 [0.002]	WEIGHT:	CAGE CODE: 00779	DRAWING NO: 1811269
4 PLC ±	ANGLES ±	FINISH:	CUSTOMER DRAWING	REV: A