

Reference Specification

Leaded MLCC for Consumer Electronics & Industrial Equipment
RDE Series

Product specifications in this catalog are as of Feb. 2024, and are subject to change or obsolescence without notice.
Please consult the approval sheet before ordering. Please read rating and Cautions first.

<Reference> Please kindly use our website.

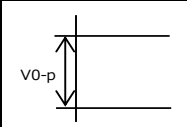
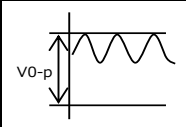
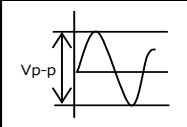
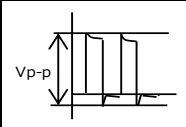
Please refer to the product information page for more information on ceramic capacitors. → [Ceramic capacitor product information](#)

Various data can be obtained directly from the product search. → [Product search \(SMD\)](#) / [Product search \(Lead Type\)](#)

⚠ CAUTION**1. OPERATING VOLTAGE**

1. Do not apply a voltage to the capacitor that exceeds the rated voltage as called out in the specifications.
 - 1-1. Applied voltage between the terminals of a capacitor shall be less than or equal to the rated voltage.
 - (1) When AC voltage is superimposed on DC voltage, the zero-to-peak voltage shall not exceed the rated DC voltage. When AC voltage or pulse voltage is applied, the peak-to-peak voltage shall not exceed the rated DC voltage.
 - (2) Abnormal voltages (surge voltage, static electricity, pulse voltage, etc.) shall not exceed the rated DC voltage.

Typical Voltage Applied to the DC Capacitor

| DC Voltage | DC+AC Voltage | AC Voltage | Pulse Voltage |
|---|---|---|--|
|  |  |  |  |

(E: Maximum possible applied voltage.)

1-2. Influence of over voltage

Over voltage that is applied to the capacitor may result in an electrical short circuit caused by the breakdown of the internal dielectric layers. The time duration until breakdown depends on the applied voltage and the ambient temperature.

2. Use a safety standard certified capacitor in a power supply input circuit (AC filter), as it is also necessary to consider the withstand voltage and impulse withstand voltage defined for each device.

2. OPERATING TEMPERATURE AND SELF-GENERATED HEAT

Keep the surface temperature of a capacitor below the upper limit of its rated operating temperature range. Be sure to take into account the heat generated by the capacitor itself.

When the capacitor is used in a high-frequency current, pulse current or the like, it may have the self-generated heat due to dielectric-loss. In case of Class 2 capacitors (Temp.Char. : X7R,X7S,X8L, etc.), applied voltage should be the load such as self-generated heat is within 20 °C on the condition of atmosphere temperature 25 °C. Please contact us if self-generated heat is occurred with Class 1 capacitors (Temp.Char. : C0G,U2J,X8G, etc.). When measuring, use a thermocouple of small thermal capacity-K of $\Phi 0.1\text{mm}$ and be in the condition where capacitor is not affected by radiant heat of other components and wind of surroundings. Excessive heat may lead to deterioration of the capacitor's characteristics and reliability.

3. FAIL-SAFE

Be sure to provide an appropriate fail-safe function on your product to prevent a second damage that may be caused by the abnormal function or the failure of our product.

4. OPERATING AND STORAGE ENVIRONMENT

The insulating coating of capacitors does not form a perfect seal; therefore, do not use or store capacitors in a corrosive atmosphere, especially where chloride gas, sulfide gas, acid, alkali, salt or the like are present. And avoid exposure to moisture. Before cleaning, bonding, or molding this product, verify that these processes do not affect product quality by testing the performance of a cleaned, bonded or molded product in the intended equipment. Store the capacitors where the temperature and relative humidity do not exceed 5 to 40 °C and 20 to 70%. Use capacitors within 6 months.

Use capacitors within 6 months after delivered. Check the solderability after 6 months or more.

⚠ CAUTION**5. VIBRATION AND IMPACT**

Do not expose a capacitor or its leads to excessive shock or vibration during use.

Excessive shock or vibration may cause to fatigue destruction of lead wires mounted on the circuit board.

If necessary, take measures to hold a capacitor on the circuit boards by adhesive, molding resin or coating and other.

Please confirm there is no influence of holding measures on the product with an intended equipment.

6. SOLDERING

When soldering this product to a PCB/PWB, do not exceed the solder heat resistance specification of the capacitor. Subjecting this product to excessive heating could melt the internal junction solder and may result in thermal shocks that can crack the ceramic element.

Please verify that the soldering process does not affect the quality of capacitors.

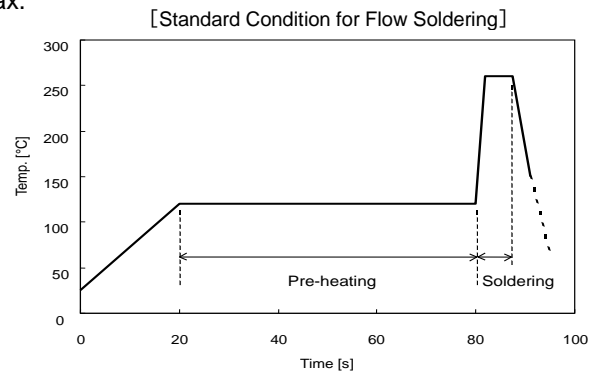
6-1. Flow Soldering

Soldering temperature : 260 °C max.

Soldering time : 7.5 s max.

Preheating temperature : 120 °C max.

Preheating time : 60 s max.

**6-2. Reflow Soldering**

Do not apply reflow soldering.

6-3. Soldering Iron

Temperature of iron-tip : 350 °C max.

Soldering iron wattage : 60 W max.

Soldering time : 3.5 s max.

7. BONDING AND RESIN MOLDING, RESIN COAT

In case of bonding, molding or coating this product, verify that these processes do not affect the quality of capacitor by testing the performance of a bonded or molded product in the intended equipment.

In case of the amount of applications, dryness / hardening conditions of adhesives and molding resins containing organic solvents (ethyl acetate, methyl ethyl ketone, toluene, etc.) are unsuitable, the outer coating resin of a capacitor is damaged by the organic solvents and it may result, worst case, in a short circuit.

The variation in thickness of adhesive or molding resin may cause a outer coating resin cracking and/or ceramic element cracking of a capacitor in a temperature cycling.

8. TREATMENT AFTER BONDING AND RESIN MOLDING, RESIN COAT

When the outer coating is hot (over 100 °C) after soldering, it becomes soft and fragile.

So please be careful not to give it mechanical stress.

Failure to follow the above cautions may result, worst case, in a short circuit and cause fuming or partial dispersion when the product is used.

⚠ CAUTION

9. LIMITATION OF APPLICATIONS

The products listed in the specification (hereinafter the product(s) is called as the "Product(s)") are designed and manufactured for applications specified in the specification. (hereinafter called as the "Specific Application")

We shall not warrant anything in connection with the Products including fitness, performance, adequateness, safety, or quality, in the case of applications listed in from (1) to (11) written at the end of this precautions, which may generally require high performance, function, quality, management of production or safety.

Therefore, the Product shall be applied in compliance with the specific application.

WE DISCLAIM ANY LOSS AND DAMAGES ARISING FROM OR IN CONNECTION WITH THE PRODUCTS INCLUDING BUT NOT LIMITED TO THE CASE SUCH LOSS AND DAMAGES CAUSED BY THE UNEXPECTED ACCIDENT, IN EVENT THAT (i) THE PRODUCT IS APPLIED FOR THE PURPOSE WHICH IS NOT SPECIFIED AS THE SPECIFIC APPLICATION FOR THE PRODUCT, AND/OR (ii) THE PRODUCT IS APPLIED FOR ANY FOLLOWING APPLICATION PURPOSES FROM (1) TO (11) (EXCEPT THAT SUCH APPLICATION PURPOSE IS UNAMBIGUOUSLY SPECIFIED AS SPECIFIC APPLICATION FOR THE PRODUCT IN OUR CATALOG SPECIFICATION FORMS, DATASHEETS, OR OTHER DOCUMENTS OFFICIALLY ISSUED BY US*)

1. Aircraft equipment
2. Aerospace equipment
3. Undersea equipment
4. Power plant control equipment
5. Medical equipment
6. Transportation equipment
7. Traffic control equipment
8. Disaster prevention/security equipment
9. Industrial data-processing equipment
10. Combustion/explosion control equipment
11. Equipment with complexity and/or required reliability equivalent to the applications listed in the above.

For exploring information of the Products which will be compatible with the particular purpose other than those specified in the specification, please contact our sales offices, distribution agents, or trading companies with which you make a deal, or via our web contact form.

Contact form: <https://www.murata.com/contactform>

*We may design and manufacture particular Products for applications listed in (1) to (11). Provided that, in such case we shall unambiguously specify such Specific Application in the specification without any exception.

Therefore, any other documents and/or performances, whether exist or non-exist, shall not be deemed as the evidence to imply that we accept the applications listed in (1) to (11).

**⚠ CAUTION
NOTICE**

1. CLEANING (ULTRASONIC CLEANING)

To perform ultrasonic cleaning, observe the following conditions.

Rinse bath capacity : Output of 20 watts per liter or less.

Rinsing time : 5 min maximum.

Do not vibrate the PCB/PWB directly.

Excessive ultrasonic cleaning may lead to fatigue destruction of the lead wires.

2. SOLDERING AND MOUNTING

Insertion of the Lead Wire

- When soldering, insert the lead wire into the PCB without mechanically stressing the lead wire.
- Insert the lead wire into the PCB with a distance appropriate to the lead space.

3. CAPACITANCE CHANGE OF CAPACITORS

- Class 2 capacitors (Temp.Char. : X7R,X7S,X8L etc.)

Class 2 capacitors an aging characteristic, whereby the capacitor continually decreases its capacitance slightly if the capacitor leaves for a long time. Moreover, capacitance might change greatly depending on a surrounding temperature or an applied voltage. So, it is not likely to be able to use for the time constant circuit.

Please contact us if you need a detail information.

⚠ NOTE

1. Please make sure that your product has been evaluated in view of your specifications with our product being mounted to your product.
2. You are requested not to use our product deviating from this product specification.

1. Application

This product specification is applied to Leaded MLCC RDE series.

1. Specific applications:

- Consumer Equipment: Products that can be used in consumer equipment such as home appliances, audio/visual equipment, communication equipment, information equipment, office equipment, and household robotics, and whose functions are not directly related to the protection of human life and property.
- Industrial Equipment: Products that can be used in industrial equipment such as base stations, manufacturing equipment, industrial robotics equipment, and measurement equipment, and whose functions do not directly relate to the protection of human life and property.
- Medial Equipment [GHTF A/B/C] except for Implant Equipment: Products suitable for use in medical devices designated under the GHTF international classifications as Class A or Class B (the functions of which are not directly involved in protection of human life or property) or in medical devices other than implants designated under the GHTF international classifications as Class C (the malfunctioning of which is considered to pose a comparatively high risk to the human body).
- Automotive infotainment/comfort equipment: Products that can be used for automotive equipment such as car navigation systems and car audio systems that do not directly relate to human life and whose structure, equipment, and performance are not specifically required by law to meet technical standards for safety assurance or environmental protection.

2. Unsuitable Application: Applications listed in "Limitation of applications" in this product specification.

2. Rating

• Part Number Configuration

| | | | | | | | | |
|-------------|-----------------------------|---------------|-------------|-----------------------|-----------------|------------|--------------------------|---------|
| ex.) RDE | 5C | 1H | 104 | J | 2 | P1 | H03 | B |
| Series | Temperature Characteristics | Rated Voltage | Capacitance | Capacitance Tolerance | Dimension (LxW) | Lead Style | Individual Specification | Package |

• Temperature Characteristics

| Code | Temp. Char. | Temp. Range | Temp.coef. | Standard Temp. | Operating Temp. Range |
|------|-------------------|-------------|----------------|----------------|-----------------------|
| 5C | C0G (EIA code) | -55~25°C | 0+30/-72ppm/°C | 25°C | -55~125°C |
| | | 25~125°C | 0+/-30ppm/°C | | |

• Rated Voltage

| Code | Rated voltage |
|------|---------------|
| 1H | DC50V |
| 2A | DC100V |

• Capacitance

The first two digits denote significant figures ; the last digit denotes the multiplier of 10 in pF. If there is a decimal point, it is expressed by the capital letter "R". In this case, all figures are significant digits.

- ex.) In case of 104 .
 $10 \times 10^4 = 100000 \text{ pF}$
 In case of 9R0 .
 9.0 pF

Reference only

• Capacitance Tolerance

| Code | Capacitance Tolerance |
|------|-----------------------|
| C | +/-0.25pF |
| D | +/-0.5pF |
| J | +/-5% |

• Dimension (LxW)

Please refer to [Part number list].

• Lead Style

*Lead wire is "solder coated CP wire".

| Code | Lead Style | Lead spacing (mm) |
|------|---------------------------|-------------------|
| K1 | Inside crimp type | 5.0+/-0.8 |
| M1 | Inside crimp taping type | 5.0+0.6/-0.2 |
| P1 | Outside crimp type | 2.5+/-0.8 |
| S1 | Outside crimp taping type | 2.5+0.4/-0.2 |

• Individual Specification


Murata's control code.

Please refer to [Part number list].

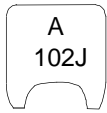


• Package

| Code | Package |
|------|---------------------|
| A | Taping type of Ammo |
| B | Bulk type |

3. Marking

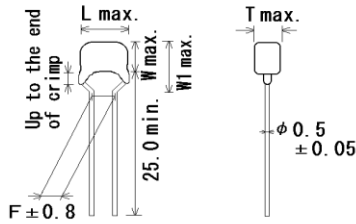
- Temp. char. : Letter code : A (C0G Char.)
- Capacitance : Actual numbers (Less than 100pF)
3 digit numbers (100pF and over)
- Capacitance tolerance : Code
- Rated voltage : Letter code : 5 (DC50V. Except dimension code : 0,1)
Letter code : 1 (DC100V. Except dimension code : 0,1)
- Company name code : Abbreviation :  (Except dimension code : 0,1)

(Ex.)

| Rated voltage Dimension code | DC50V | DC100V |
|---------------------------------|---|---|
| | 0,1 |  |
| 2 |  |  |

4. Part number list

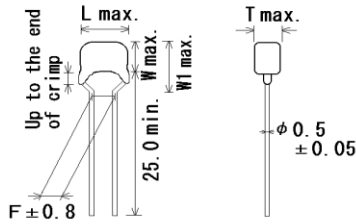
- Outside Crimp
(Lead Style : P1)



Unit : mm

| Customer Part Number | Murata Part Number | T.C. | DC Rated Volt. (V) | Cap. | Cap. Tol. | Dimension (mm) | | | | | Dimension (LxW) Lead Style | Pack qty. (pcs) |
|----------------------|--------------------|------|--------------------|--------|-----------|----------------|-----|-----|-----|-----|----------------------------|-----------------|
| | | | | | | L | W | W1 | F | T | | |
| | RDE5C1H1R0C0P1H03B | C0G | 50 | 1pF | ±0.25pF | 5.0 | 3.5 | 6.0 | 2.5 | 2.5 | 0P1 | 500 |
| | RDE5C1H2R0C0P1H03B | C0G | 50 | 2pF | ±0.25pF | 5.0 | 3.5 | 6.0 | 2.5 | 2.5 | 0P1 | 500 |
| | RDE5C1H3R0C0P1H03B | C0G | 50 | 3pF | ±0.25pF | 5.0 | 3.5 | 6.0 | 2.5 | 2.5 | 0P1 | 500 |
| | RDE5C1H4R0C0P1H03B | C0G | 50 | 4pF | ±0.25pF | 5.0 | 3.5 | 6.0 | 2.5 | 2.5 | 0P1 | 500 |
| | RDE5C1H5R0C0P1H03B | C0G | 50 | 5pF | ±0.25pF | 5.0 | 3.5 | 6.0 | 2.5 | 2.5 | 0P1 | 500 |
| | RDE5C1H6R0D0P1H03B | C0G | 50 | 6pF | ±0.5pF | 5.0 | 3.5 | 6.0 | 2.5 | 2.5 | 0P1 | 500 |
| | RDE5C1H7R0D0P1H03B | C0G | 50 | 7pF | ±0.5pF | 5.0 | 3.5 | 6.0 | 2.5 | 2.5 | 0P1 | 500 |
| | RDE5C1H8R0D0P1H03B | C0G | 50 | 8pF | ±0.5pF | 5.0 | 3.5 | 6.0 | 2.5 | 2.5 | 0P1 | 500 |
| | RDE5C1H9R0D0P1H03B | C0G | 50 | 9pF | ±0.5pF | 5.0 | 3.5 | 6.0 | 2.5 | 2.5 | 0P1 | 500 |
| | RDE5C1H100J0P1H03B | C0G | 50 | 10pF | ±5% | 5.0 | 3.5 | 6.0 | 2.5 | 2.5 | 0P1 | 500 |
| | RDE5C1H120J0P1H03B | C0G | 50 | 12pF | ±5% | 5.0 | 3.5 | 6.0 | 2.5 | 2.5 | 0P1 | 500 |
| | RDE5C1H150J0P1H03B | C0G | 50 | 15pF | ±5% | 5.0 | 3.5 | 6.0 | 2.5 | 2.5 | 0P1 | 500 |
| | RDE5C1H180J0P1H03B | C0G | 50 | 18pF | ±5% | 5.0 | 3.5 | 6.0 | 2.5 | 2.5 | 0P1 | 500 |
| | RDE5C1H220J0P1H03B | C0G | 50 | 22pF | ±5% | 5.0 | 3.5 | 6.0 | 2.5 | 2.5 | 0P1 | 500 |
| | RDE5C1H270J0P1H03B | C0G | 50 | 27pF | ±5% | 5.0 | 3.5 | 6.0 | 2.5 | 2.5 | 0P1 | 500 |
| | RDE5C1H330J0P1H03B | C0G | 50 | 33pF | ±5% | 5.0 | 3.5 | 6.0 | 2.5 | 2.5 | 0P1 | 500 |
| | RDE5C1H390J0P1H03B | C0G | 50 | 39pF | ±5% | 5.0 | 3.5 | 6.0 | 2.5 | 2.5 | 0P1 | 500 |
| | RDE5C1H470J0P1H03B | C0G | 50 | 47pF | ±5% | 5.0 | 3.5 | 6.0 | 2.5 | 2.5 | 0P1 | 500 |
| | RDE5C1H560J0P1H03B | C0G | 50 | 56pF | ±5% | 5.0 | 3.5 | 6.0 | 2.5 | 2.5 | 0P1 | 500 |
| | RDE5C1H680J0P1H03B | C0G | 50 | 68pF | ±5% | 5.0 | 3.5 | 6.0 | 2.5 | 2.5 | 0P1 | 500 |
| | RDE5C1H820J0P1H03B | C0G | 50 | 82pF | ±5% | 5.0 | 3.5 | 6.0 | 2.5 | 2.5 | 0P1 | 500 |
| | RDE5C1H101J0P1H03B | C0G | 50 | 100pF | ±5% | 5.0 | 3.5 | 6.0 | 2.5 | 2.5 | 0P1 | 500 |
| | RDE5C1H121J0P1H03B | C0G | 50 | 120pF | ±5% | 5.0 | 3.5 | 6.0 | 2.5 | 2.5 | 0P1 | 500 |
| | RDE5C1H151J0P1H03B | C0G | 50 | 150pF | ±5% | 5.0 | 3.5 | 6.0 | 2.5 | 2.5 | 0P1 | 500 |
| | RDE5C1H181J0P1H03B | C0G | 50 | 180pF | ±5% | 5.0 | 3.5 | 6.0 | 2.5 | 2.5 | 0P1 | 500 |
| | RDE5C1H221J0P1H03B | C0G | 50 | 220pF | ±5% | 5.0 | 3.5 | 6.0 | 2.5 | 2.5 | 0P1 | 500 |
| | RDE5C1H271J0P1H03B | C0G | 50 | 270pF | ±5% | 5.0 | 3.5 | 6.0 | 2.5 | 2.5 | 0P1 | 500 |
| | RDE5C1H331J0P1H03B | C0G | 50 | 330pF | ±5% | 5.0 | 3.5 | 6.0 | 2.5 | 2.5 | 0P1 | 500 |
| | RDE5C1H391J0P1H03B | C0G | 50 | 390pF | ±5% | 5.0 | 3.5 | 6.0 | 2.5 | 2.5 | 0P1 | 500 |
| | RDE5C1H471J0P1H03B | C0G | 50 | 470pF | ±5% | 5.0 | 3.5 | 6.0 | 2.5 | 2.5 | 0P1 | 500 |
| | RDE5C1H561J0P1H03B | C0G | 50 | 560pF | ±5% | 5.0 | 3.5 | 6.0 | 2.5 | 2.5 | 0P1 | 500 |
| | RDE5C1H681J0P1H03B | C0G | 50 | 680pF | ±5% | 5.0 | 3.5 | 6.0 | 2.5 | 2.5 | 0P1 | 500 |
| | RDE5C1H821J0P1H03B | C0G | 50 | 820pF | ±5% | 5.0 | 3.5 | 6.0 | 2.5 | 2.5 | 0P1 | 500 |
| | RDE5C1H102J0P1H03B | C0G | 50 | 1000pF | ±5% | 5.0 | 3.5 | 6.0 | 2.5 | 2.5 | 0P1 | 500 |
| | RDE5C1H122J0P1H03B | C0G | 50 | 1200pF | ±5% | 5.0 | 3.5 | 6.0 | 2.5 | 2.5 | 0P1 | 500 |
| | RDE5C1H152J0P1H03B | C0G | 50 | 1500pF | ±5% | 5.0 | 3.5 | 6.0 | 2.5 | 2.5 | 0P1 | 500 |
| | RDE5C1H182J0P1H03B | C0G | 50 | 1800pF | ±5% | 5.0 | 3.5 | 6.0 | 2.5 | 2.5 | 0P1 | 500 |
| | RDE5C1H222J0P1H03B | C0G | 50 | 2200pF | ±5% | 5.0 | 3.5 | 6.0 | 2.5 | 2.5 | 0P1 | 500 |
| | RDE5C1H272J0P1H03B | C0G | 50 | 2700pF | ±5% | 5.0 | 3.5 | 6.0 | 2.5 | 2.5 | 0P1 | 500 |
| | RDE5C1H332J0P1H03B | C0G | 50 | 3300pF | ±5% | 5.0 | 3.5 | 6.0 | 2.5 | 2.5 | 0P1 | 500 |

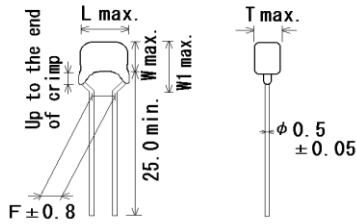
- Outside Crimp
(Lead Style : P1)



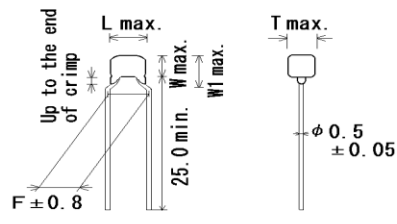
Unit : mm

| Customer Part Number | Murata Part Number | T.C. | DC Rated Volt. (V) | Cap. | Cap. Tol. | Dimension (mm) | | | | | Dimension (LxW) Lead Style | Pack qty. (pcs) |
|----------------------|--------------------|------|--------------------|---------|-----------|----------------|-----|-----|-----|------|----------------------------|-----------------|
| | | | | | | L | W | W1 | F | T | | |
| | RDE5C1H392J0P1H03B | C0G | 50 | 3900pF | ±5% | 5.0 | 3.5 | 6.0 | 2.5 | 2.5 | 0P1 | 500 |
| | RDE5C1H472J1P1H03B | C0G | 50 | 4700pF | ±5% | 5.0 | 3.5 | 5.0 | 2.5 | 3.15 | 1P1 | 500 |
| | RDE5C1H562J1P1H03B | C0G | 50 | 5600pF | ±5% | 5.0 | 3.5 | 5.0 | 2.5 | 3.15 | 1P1 | 500 |
| | RDE5C1H682J1P1H03B | C0G | 50 | 6800pF | ±5% | 5.0 | 3.5 | 5.0 | 2.5 | 3.15 | 1P1 | 500 |
| | RDE5C1H822J1P1H03B | C0G | 50 | 8200pF | ±5% | 5.0 | 3.5 | 5.0 | 2.5 | 3.15 | 1P1 | 500 |
| | RDE5C1H103J1P1H03B | C0G | 50 | 10000pF | ±5% | 5.0 | 3.5 | 5.0 | 2.5 | 3.15 | 1P1 | 500 |
| | RDE5C1H123J1P1H03B | C0G | 50 | 12000pF | ±5% | 5.0 | 3.5 | 5.0 | 2.5 | 3.15 | 1P1 | 500 |
| | RDE5C1H153J1P1H03B | C0G | 50 | 15000pF | ±5% | 5.0 | 3.5 | 5.0 | 2.5 | 3.15 | 1P1 | 500 |
| | RDE5C1H183J1P1H03B | C0G | 50 | 18000pF | ±5% | 5.0 | 3.5 | 5.0 | 2.5 | 3.15 | 1P1 | 500 |
| | RDE5C1H223J1P1H03B | C0G | 50 | 22000pF | ±5% | 5.0 | 3.5 | 5.0 | 2.5 | 3.15 | 1P1 | 500 |
| | RDE5C1H273J2P1H03B | C0G | 50 | 27000pF | ±5% | 5.5 | 4.0 | 6.0 | 2.5 | 3.15 | 2P1 | 500 |
| | RDE5C1H333J2P1H03B | C0G | 50 | 33000pF | ±5% | 5.5 | 4.0 | 6.0 | 2.5 | 3.15 | 2P1 | 500 |
| | RDE5C1H393J2P1H03B | C0G | 50 | 39000pF | ±5% | 5.5 | 4.0 | 6.0 | 2.5 | 3.15 | 2P1 | 500 |
| | RDE5C1H473J2P1H03B | C0G | 50 | 47000pF | ±5% | 5.5 | 4.0 | 6.0 | 2.5 | 3.15 | 2P1 | 500 |
| | RDE5C1H563J2P1H03B | C0G | 50 | 56000pF | ±5% | 5.5 | 4.0 | 6.0 | 2.5 | 3.15 | 2P1 | 500 |
| | RDE5C1H683J2P1H03B | C0G | 50 | 68000pF | ±5% | 5.5 | 4.0 | 6.0 | 2.5 | 3.15 | 2P1 | 500 |
| | RDE5C1H823J2P1H03B | C0G | 50 | 82000pF | ±5% | 5.5 | 4.0 | 6.0 | 2.5 | 3.15 | 2P1 | 500 |
| | RDE5C1H104J2P1H03B | C0G | 50 | 0.1μF | ±5% | 5.5 | 4.0 | 6.0 | 2.5 | 3.15 | 2P1 | 500 |
| | RDE5C2A1R0C0P1H03B | C0G | 100 | 1pF | ±0.25pF | 5.0 | 3.5 | 6.0 | 2.5 | 2.5 | 0P1 | 500 |
| | RDE5C2A2R0C0P1H03B | C0G | 100 | 2pF | ±0.25pF | 5.0 | 3.5 | 6.0 | 2.5 | 2.5 | 0P1 | 500 |
| | RDE5C2A3R0C0P1H03B | C0G | 100 | 3pF | ±0.25pF | 5.0 | 3.5 | 6.0 | 2.5 | 2.5 | 0P1 | 500 |
| | RDE5C2A4R0C0P1H03B | C0G | 100 | 4pF | ±0.25pF | 5.0 | 3.5 | 6.0 | 2.5 | 2.5 | 0P1 | 500 |
| | RDE5C2A5R0C0P1H03B | C0G | 100 | 5pF | ±0.25pF | 5.0 | 3.5 | 6.0 | 2.5 | 2.5 | 0P1 | 500 |
| | RDE5C2A6R0D0P1H03B | C0G | 100 | 6pF | ±0.5pF | 5.0 | 3.5 | 6.0 | 2.5 | 2.5 | 0P1 | 500 |
| | RDE5C2A7R0D0P1H03B | C0G | 100 | 7pF | ±0.5pF | 5.0 | 3.5 | 6.0 | 2.5 | 2.5 | 0P1 | 500 |
| | RDE5C2A8R0D0P1H03B | C0G | 100 | 8pF | ±0.5pF | 5.0 | 3.5 | 6.0 | 2.5 | 2.5 | 0P1 | 500 |
| | RDE5C2A9R0D0P1H03B | C0G | 100 | 9pF | ±0.5pF | 5.0 | 3.5 | 6.0 | 2.5 | 2.5 | 0P1 | 500 |
| | RDE5C2A100J0P1H03B | C0G | 100 | 10pF | ±5% | 5.0 | 3.5 | 6.0 | 2.5 | 2.5 | 0P1 | 500 |
| | RDE5C2A120J0P1H03B | C0G | 100 | 12pF | ±5% | 5.0 | 3.5 | 6.0 | 2.5 | 2.5 | 0P1 | 500 |
| | RDE5C2A150J0P1H03B | C0G | 100 | 15pF | ±5% | 5.0 | 3.5 | 6.0 | 2.5 | 2.5 | 0P1 | 500 |
| | RDE5C2A180J0P1H03B | C0G | 100 | 18pF | ±5% | 5.0 | 3.5 | 6.0 | 2.5 | 2.5 | 0P1 | 500 |
| | RDE5C2A220J0P1H03B | C0G | 100 | 22pF | ±5% | 5.0 | 3.5 | 6.0 | 2.5 | 2.5 | 0P1 | 500 |
| | RDE5C2A270J0P1H03B | C0G | 100 | 27pF | ±5% | 5.0 | 3.5 | 6.0 | 2.5 | 2.5 | 0P1 | 500 |
| | RDE5C2A330J0P1H03B | C0G | 100 | 33pF | ±5% | 5.0 | 3.5 | 6.0 | 2.5 | 2.5 | 0P1 | 500 |
| | RDE5C2A390J0P1H03B | C0G | 100 | 39pF | ±5% | 5.0 | 3.5 | 6.0 | 2.5 | 2.5 | 0P1 | 500 |
| | RDE5C2A470J0P1H03B | C0G | 100 | 47pF | ±5% | 5.0 | 3.5 | 6.0 | 2.5 | 2.5 | 0P1 | 500 |
| | RDE5C2A560J0P1H03B | C0G | 100 | 56pF | ±5% | 5.0 | 3.5 | 6.0 | 2.5 | 2.5 | 0P1 | 500 |
| | RDE5C2A680J0P1H03B | C0G | 100 | 68pF | ±5% | 5.0 | 3.5 | 6.0 | 2.5 | 2.5 | 0P1 | 500 |
| | RDE5C2A820J0P1H03B | C0G | 100 | 82pF | ±5% | 5.0 | 3.5 | 6.0 | 2.5 | 2.5 | 0P1 | 500 |
| | RDE5C2A101J0P1H03B | C0G | 100 | 100pF | ±5% | 5.0 | 3.5 | 6.0 | 2.5 | 2.5 | 0P1 | 500 |

- Outside Crimp
(Lead Style : P1)



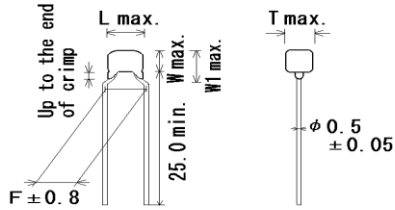
- Inside Crimp
(Lead Style : K*)



Unit : mm

| Customer Part Number | Murata Part Number | T.C. | DC Rated Volt. (V) | Cap. | Cap. Tol. | Dimension (mm) | | | | | Dimension (LxW) Lead Style | Pack qty. (pcs) |
|----------------------|--------------------|------|--------------------|---------|-----------|----------------|-----|-----|-----|------|----------------------------|-----------------|
| | | | | | | L | W | W1 | F | T | | |
| | RDE5C2A121J0P1H03B | C0G | 100 | 120pF | ±5% | 5.0 | 3.5 | 6.0 | 2.5 | 2.5 | 0P1 | 500 |
| | RDE5C2A151J0P1H03B | C0G | 100 | 150pF | ±5% | 5.0 | 3.5 | 6.0 | 2.5 | 2.5 | 0P1 | 500 |
| | RDE5C2A181J0P1H03B | C0G | 100 | 180pF | ±5% | 5.0 | 3.5 | 6.0 | 2.5 | 2.5 | 0P1 | 500 |
| | RDE5C2A221J0P1H03B | C0G | 100 | 220pF | ±5% | 5.0 | 3.5 | 6.0 | 2.5 | 2.5 | 0P1 | 500 |
| | RDE5C2A271J0P1H03B | C0G | 100 | 270pF | ±5% | 5.0 | 3.5 | 6.0 | 2.5 | 2.5 | 0P1 | 500 |
| | RDE5C2A331J0P1H03B | C0G | 100 | 330pF | ±5% | 5.0 | 3.5 | 6.0 | 2.5 | 2.5 | 0P1 | 500 |
| | RDE5C2A391J0P1H03B | C0G | 100 | 390pF | ±5% | 5.0 | 3.5 | 6.0 | 2.5 | 2.5 | 0P1 | 500 |
| | RDE5C2A471J0P1H03B | C0G | 100 | 470pF | ±5% | 5.0 | 3.5 | 6.0 | 2.5 | 2.5 | 0P1 | 500 |
| | RDE5C2A561J0P1H03B | C0G | 100 | 560pF | ±5% | 5.0 | 3.5 | 6.0 | 2.5 | 2.5 | 0P1 | 500 |
| | RDE5C2A681J0P1H03B | C0G | 100 | 680pF | ±5% | 5.0 | 3.5 | 6.0 | 2.5 | 2.5 | 0P1 | 500 |
| | RDE5C2A821J0P1H03B | C0G | 100 | 820pF | ±5% | 5.0 | 3.5 | 6.0 | 2.5 | 2.5 | 0P1 | 500 |
| | RDE5C2A102J0P1H03B | C0G | 100 | 1000pF | ±5% | 5.0 | 3.5 | 6.0 | 2.5 | 2.5 | 0P1 | 500 |
| | RDE5C2A122J0P1H03B | C0G | 100 | 1200pF | ±5% | 5.0 | 3.5 | 6.0 | 2.5 | 2.5 | 0P1 | 500 |
| | RDE5C2A152J0P1H03B | C0G | 100 | 1500pF | ±5% | 5.0 | 3.5 | 6.0 | 2.5 | 2.5 | 0P1 | 500 |
| | RDE5C2A182J1P1H03B | C0G | 100 | 1800pF | ±5% | 5.0 | 3.5 | 5.0 | 2.5 | 3.15 | 1P1 | 500 |
| | RDE5C2A222J1P1H03B | C0G | 100 | 2200pF | ±5% | 5.0 | 3.5 | 5.0 | 2.5 | 3.15 | 1P1 | 500 |
| | RDE5C2A272J1P1H03B | C0G | 100 | 2700pF | ±5% | 5.0 | 3.5 | 5.0 | 2.5 | 3.15 | 1P1 | 500 |
| | RDE5C2A332J1P1H03B | C0G | 100 | 3300pF | ±5% | 5.0 | 3.5 | 5.0 | 2.5 | 3.15 | 1P1 | 500 |
| | RDE5C2A392J2P1H03B | C0G | 100 | 3900pF | ±5% | 5.5 | 4.0 | 6.0 | 2.5 | 3.15 | 2P1 | 500 |
| | RDE5C2A472J2P1H03B | C0G | 100 | 4700pF | ±5% | 5.5 | 4.0 | 6.0 | 2.5 | 3.15 | 2P1 | 500 |
| | RDE5C2A562J2P1H03B | C0G | 100 | 5600pF | ±5% | 5.5 | 4.0 | 6.0 | 2.5 | 3.15 | 2P1 | 500 |
| | RDE5C2A682J2P1H03B | C0G | 100 | 6800pF | ±5% | 5.5 | 4.0 | 6.0 | 2.5 | 3.15 | 2P1 | 500 |
| | RDE5C2A822J2P1H03B | C0G | 100 | 8200pF | ±5% | 5.5 | 4.0 | 6.0 | 2.5 | 3.15 | 2P1 | 500 |
| | RDE5C2A103J2P1H03B | C0G | 100 | 10000pF | ±5% | 5.5 | 4.0 | 6.0 | 2.5 | 3.15 | 2P1 | 500 |
| | RDE5C2A123J2P1H03B | C0G | 100 | 12000pF | ±5% | 5.5 | 4.0 | 6.0 | 2.5 | 3.15 | 2P1 | 500 |
| | RDE5C2A153J2P1H03B | C0G | 100 | 15000pF | ±5% | 5.5 | 4.0 | 6.0 | 2.5 | 3.15 | 2P1 | 500 |
| | RDE5C2A183J2P1H03B | C0G | 100 | 18000pF | ±5% | 5.5 | 4.0 | 6.0 | 2.5 | 3.15 | 2P1 | 500 |
| | RDE5C2A223J2P1H03B | C0G | 100 | 22000pF | ±5% | 5.5 | 4.0 | 6.0 | 2.5 | 3.15 | 2P1 | 500 |
| | RDE5C1H1R0C0K1H03B | C0G | 50 | 1pF | ±0.25pF | 4.0 | 3.5 | 6.0 | 5.0 | 2.5 | 0K1 | 500 |
| | RDE5C1H2R0C0K1H03B | C0G | 50 | 2pF | ±0.25pF | 4.0 | 3.5 | 6.0 | 5.0 | 2.5 | 0K1 | 500 |
| | RDE5C1H3R0C0K1H03B | C0G | 50 | 3pF | ±0.25pF | 4.0 | 3.5 | 6.0 | 5.0 | 2.5 | 0K1 | 500 |
| | RDE5C1H4R0C0K1H03B | C0G | 50 | 4pF | ±0.25pF | 4.0 | 3.5 | 6.0 | 5.0 | 2.5 | 0K1 | 500 |
| | RDE5C1H5R0C0K1H03B | C0G | 50 | 5pF | ±0.25pF | 4.0 | 3.5 | 6.0 | 5.0 | 2.5 | 0K1 | 500 |
| | RDE5C1H6R0D0K1H03B | C0G | 50 | 6pF | ±0.5pF | 4.0 | 3.5 | 6.0 | 5.0 | 2.5 | 0K1 | 500 |
| | RDE5C1H7R0D0K1H03B | C0G | 50 | 7pF | ±0.5pF | 4.0 | 3.5 | 6.0 | 5.0 | 2.5 | 0K1 | 500 |
| | RDE5C1H8R0D0K1H03B | C0G | 50 | 8pF | ±0.5pF | 4.0 | 3.5 | 6.0 | 5.0 | 2.5 | 0K1 | 500 |
| | RDE5C1H9R0D0K1H03B | C0G | 50 | 9pF | ±0.5pF | 4.0 | 3.5 | 6.0 | 5.0 | 2.5 | 0K1 | 500 |
| | RDE5C1H100J0K1H03B | C0G | 50 | 10pF | ±5% | 4.0 | 3.5 | 6.0 | 5.0 | 2.5 | 0K1 | 500 |
| | RDE5C1H120J0K1H03B | C0G | 50 | 12pF | ±5% | 4.0 | 3.5 | 6.0 | 5.0 | 2.5 | 0K1 | 500 |
| | RDE5C1H150J0K1H03B | C0G | 50 | 15pF | ±5% | 4.0 | 3.5 | 6.0 | 5.0 | 2.5 | 0K1 | 500 |

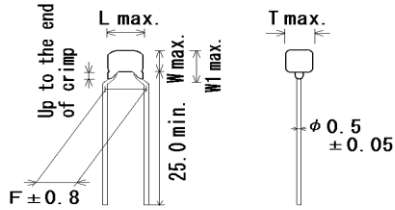
• Inside Crimp
(Lead Style : K*)



Unit : mm

| Customer Part Number | Murata Part Number | T.C. | DC Rated Volt. (V) | Cap. | Cap. Tol. | Dimension (mm) | | | | | Dimension (LxW) Lead Style | Pack qty. (pcs) |
|----------------------|--------------------|------|--------------------|---------|-----------|----------------|-----|-----|-----|------|----------------------------|-----------------|
| | | | | | | L | W | W1 | F | T | | |
| | RDE5C1H180J0K1H03B | C0G | 50 | 18pF | ±5% | 4.0 | 3.5 | 6.0 | 5.0 | 2.5 | 0K1 | 500 |
| | RDE5C1H220J0K1H03B | C0G | 50 | 22pF | ±5% | 4.0 | 3.5 | 6.0 | 5.0 | 2.5 | 0K1 | 500 |
| | RDE5C1H270J0K1H03B | C0G | 50 | 27pF | ±5% | 4.0 | 3.5 | 6.0 | 5.0 | 2.5 | 0K1 | 500 |
| | RDE5C1H330J0K1H03B | C0G | 50 | 33pF | ±5% | 4.0 | 3.5 | 6.0 | 5.0 | 2.5 | 0K1 | 500 |
| | RDE5C1H390J0K1H03B | C0G | 50 | 39pF | ±5% | 4.0 | 3.5 | 6.0 | 5.0 | 2.5 | 0K1 | 500 |
| | RDE5C1H470J0K1H03B | C0G | 50 | 47pF | ±5% | 4.0 | 3.5 | 6.0 | 5.0 | 2.5 | 0K1 | 500 |
| | RDE5C1H560J0K1H03B | C0G | 50 | 56pF | ±5% | 4.0 | 3.5 | 6.0 | 5.0 | 2.5 | 0K1 | 500 |
| | RDE5C1H680J0K1H03B | C0G | 50 | 68pF | ±5% | 4.0 | 3.5 | 6.0 | 5.0 | 2.5 | 0K1 | 500 |
| | RDE5C1H820J0K1H03B | C0G | 50 | 82pF | ±5% | 4.0 | 3.5 | 6.0 | 5.0 | 2.5 | 0K1 | 500 |
| | RDE5C1H101J0K1H03B | C0G | 50 | 100pF | ±5% | 4.0 | 3.5 | 6.0 | 5.0 | 2.5 | 0K1 | 500 |
| | RDE5C1H121J0K1H03B | C0G | 50 | 120pF | ±5% | 4.0 | 3.5 | 6.0 | 5.0 | 2.5 | 0K1 | 500 |
| | RDE5C1H151J0K1H03B | C0G | 50 | 150pF | ±5% | 4.0 | 3.5 | 6.0 | 5.0 | 2.5 | 0K1 | 500 |
| | RDE5C1H181J0K1H03B | C0G | 50 | 180pF | ±5% | 4.0 | 3.5 | 6.0 | 5.0 | 2.5 | 0K1 | 500 |
| | RDE5C1H221J0K1H03B | C0G | 50 | 220pF | ±5% | 4.0 | 3.5 | 6.0 | 5.0 | 2.5 | 0K1 | 500 |
| | RDE5C1H271J0K1H03B | C0G | 50 | 270pF | ±5% | 4.0 | 3.5 | 6.0 | 5.0 | 2.5 | 0K1 | 500 |
| | RDE5C1H331J0K1H03B | C0G | 50 | 330pF | ±5% | 4.0 | 3.5 | 6.0 | 5.0 | 2.5 | 0K1 | 500 |
| | RDE5C1H391J0K1H03B | C0G | 50 | 390pF | ±5% | 4.0 | 3.5 | 6.0 | 5.0 | 2.5 | 0K1 | 500 |
| | RDE5C1H471J0K1H03B | C0G | 50 | 470pF | ±5% | 4.0 | 3.5 | 6.0 | 5.0 | 2.5 | 0K1 | 500 |
| | RDE5C1H561J0K1H03B | C0G | 50 | 560pF | ±5% | 4.0 | 3.5 | 6.0 | 5.0 | 2.5 | 0K1 | 500 |
| | RDE5C1H681J0K1H03B | C0G | 50 | 680pF | ±5% | 4.0 | 3.5 | 6.0 | 5.0 | 2.5 | 0K1 | 500 |
| | RDE5C1H821J0K1H03B | C0G | 50 | 820pF | ±5% | 4.0 | 3.5 | 6.0 | 5.0 | 2.5 | 0K1 | 500 |
| | RDE5C1H102J0K1H03B | C0G | 50 | 1000pF | ±5% | 4.0 | 3.5 | 6.0 | 5.0 | 2.5 | 0K1 | 500 |
| | RDE5C1H122J0K1H03B | C0G | 50 | 1200pF | ±5% | 4.0 | 3.5 | 6.0 | 5.0 | 2.5 | 0K1 | 500 |
| | RDE5C1H152J0K1H03B | C0G | 50 | 1500pF | ±5% | 4.0 | 3.5 | 6.0 | 5.0 | 2.5 | 0K1 | 500 |
| | RDE5C1H182J0K1H03B | C0G | 50 | 1800pF | ±5% | 4.0 | 3.5 | 6.0 | 5.0 | 2.5 | 0K1 | 500 |
| | RDE5C1H222J0K1H03B | C0G | 50 | 2200pF | ±5% | 4.0 | 3.5 | 6.0 | 5.0 | 2.5 | 0K1 | 500 |
| | RDE5C1H272J0K1H03B | C0G | 50 | 2700pF | ±5% | 4.0 | 3.5 | 6.0 | 5.0 | 2.5 | 0K1 | 500 |
| | RDE5C1H332J0K1H03B | C0G | 50 | 3300pF | ±5% | 4.0 | 3.5 | 6.0 | 5.0 | 2.5 | 0K1 | 500 |
| | RDE5C1H392J0K1H03B | C0G | 50 | 3900pF | ±5% | 4.0 | 3.5 | 6.0 | 5.0 | 2.5 | 0K1 | 500 |
| | RDE5C1H472J1K1H03B | C0G | 50 | 4700pF | ±5% | 4.5 | 3.5 | 5.0 | 5.0 | 3.15 | 1K1 | 500 |
| | RDE5C1H562J1K1H03B | C0G | 50 | 5600pF | ±5% | 4.5 | 3.5 | 5.0 | 5.0 | 3.15 | 1K1 | 500 |
| | RDE5C1H682J1K1H03B | C0G | 50 | 6800pF | ±5% | 4.5 | 3.5 | 5.0 | 5.0 | 3.15 | 1K1 | 500 |
| | RDE5C1H822J1K1H03B | C0G | 50 | 8200pF | ±5% | 4.5 | 3.5 | 5.0 | 5.0 | 3.15 | 1K1 | 500 |
| | RDE5C1H103J1K1H03B | C0G | 50 | 10000pF | ±5% | 4.5 | 3.5 | 5.0 | 5.0 | 3.15 | 1K1 | 500 |
| | RDE5C1H123J1K1H03B | C0G | 50 | 12000pF | ±5% | 4.5 | 3.5 | 5.0 | 5.0 | 3.15 | 1K1 | 500 |
| | RDE5C1H153J1K1H03B | C0G | 50 | 15000pF | ±5% | 4.5 | 3.5 | 5.0 | 5.0 | 3.15 | 1K1 | 500 |
| | RDE5C1H183J1K1H03B | C0G | 50 | 18000pF | ±5% | 4.5 | 3.5 | 5.0 | 5.0 | 3.15 | 1K1 | 500 |
| | RDE5C1H223J1K1H03B | C0G | 50 | 22000pF | ±5% | 4.5 | 3.5 | 5.0 | 5.0 | 3.15 | 1K1 | 500 |
| | RDE5C1H273J2K1H03B | C0G | 50 | 27000pF | ±5% | 5.5 | 4.0 | 6.0 | 5.0 | 3.15 | 2K1 | 500 |
| | RDE5C1H333J2K1H03B | C0G | 50 | 33000pF | ±5% | 5.5 | 4.0 | 6.0 | 5.0 | 3.15 | 2K1 | 500 |

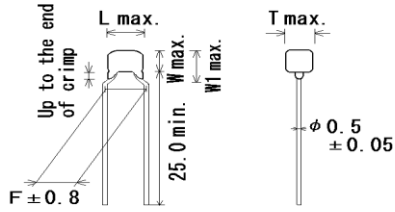
• Inside Crimp
(Lead Style : K*)



Unit : mm

| Customer Part Number | Murata Part Number | T.C. | DC Rated Volt. (V) | Cap. | Cap. Tol. | Dimension (mm) | | | | | Dimension (LxW) Lead Style | Pack qty. (pcs) |
|----------------------|--------------------|------|--------------------|---------|-----------|----------------|-----|-----|-----|------|----------------------------|-----------------|
| | | | | | | L | W | W1 | F | T | | |
| | RDE5C1H393J2K1H03B | C0G | 50 | 39000pF | ±5% | 5.5 | 4.0 | 6.0 | 5.0 | 3.15 | 2K1 | 500 |
| | RDE5C1H473J2K1H03B | C0G | 50 | 47000pF | ±5% | 5.5 | 4.0 | 6.0 | 5.0 | 3.15 | 2K1 | 500 |
| | RDE5C1H563J2K1H03B | C0G | 50 | 56000pF | ±5% | 5.5 | 4.0 | 6.0 | 5.0 | 3.15 | 2K1 | 500 |
| | RDE5C1H683J2K1H03B | C0G | 50 | 68000pF | ±5% | 5.5 | 4.0 | 6.0 | 5.0 | 3.15 | 2K1 | 500 |
| | RDE5C1H823J2K1H03B | C0G | 50 | 82000pF | ±5% | 5.5 | 4.0 | 6.0 | 5.0 | 3.15 | 2K1 | 500 |
| | RDE5C1H104J2K1H03B | C0G | 50 | 0.1μF | ±5% | 5.5 | 4.0 | 6.0 | 5.0 | 3.15 | 2K1 | 500 |
| | RDE5C2A1R0C0K1H03B | C0G | 100 | 1pF | ±0.25pF | 4.0 | 3.5 | 6.0 | 5.0 | 2.5 | 0K1 | 500 |
| | RDE5C2A2R0C0K1H03B | C0G | 100 | 2pF | ±0.25pF | 4.0 | 3.5 | 6.0 | 5.0 | 2.5 | 0K1 | 500 |
| | RDE5C2A3R0C0K1H03B | C0G | 100 | 3pF | ±0.25pF | 4.0 | 3.5 | 6.0 | 5.0 | 2.5 | 0K1 | 500 |
| | RDE5C2A4R0C0K1H03B | C0G | 100 | 4pF | ±0.25pF | 4.0 | 3.5 | 6.0 | 5.0 | 2.5 | 0K1 | 500 |
| | RDE5C2A5R0C0K1H03B | C0G | 100 | 5pF | ±0.25pF | 4.0 | 3.5 | 6.0 | 5.0 | 2.5 | 0K1 | 500 |
| | RDE5C2A6R0D0K1H03B | C0G | 100 | 6pF | ±0.5pF | 4.0 | 3.5 | 6.0 | 5.0 | 2.5 | 0K1 | 500 |
| | RDE5C2A7R0D0K1H03B | C0G | 100 | 7pF | ±0.5pF | 4.0 | 3.5 | 6.0 | 5.0 | 2.5 | 0K1 | 500 |
| | RDE5C2A8R0D0K1H03B | C0G | 100 | 8pF | ±0.5pF | 4.0 | 3.5 | 6.0 | 5.0 | 2.5 | 0K1 | 500 |
| | RDE5C2A9R0D0K1H03B | C0G | 100 | 9pF | ±0.5pF | 4.0 | 3.5 | 6.0 | 5.0 | 2.5 | 0K1 | 500 |
| | RDE5C2A100J0K1H03B | C0G | 100 | 10pF | ±5% | 4.0 | 3.5 | 6.0 | 5.0 | 2.5 | 0K1 | 500 |
| | RDE5C2A120J0K1H03B | C0G | 100 | 12pF | ±5% | 4.0 | 3.5 | 6.0 | 5.0 | 2.5 | 0K1 | 500 |
| | RDE5C2A150J0K1H03B | C0G | 100 | 15pF | ±5% | 4.0 | 3.5 | 6.0 | 5.0 | 2.5 | 0K1 | 500 |
| | RDE5C2A180J0K1H03B | C0G | 100 | 18pF | ±5% | 4.0 | 3.5 | 6.0 | 5.0 | 2.5 | 0K1 | 500 |
| | RDE5C2A220J0K1H03B | C0G | 100 | 22pF | ±5% | 4.0 | 3.5 | 6.0 | 5.0 | 2.5 | 0K1 | 500 |
| | RDE5C2A270J0K1H03B | C0G | 100 | 27pF | ±5% | 4.0 | 3.5 | 6.0 | 5.0 | 2.5 | 0K1 | 500 |
| | RDE5C2A330J0K1H03B | C0G | 100 | 33pF | ±5% | 4.0 | 3.5 | 6.0 | 5.0 | 2.5 | 0K1 | 500 |
| | RDE5C2A390J0K1H03B | C0G | 100 | 39pF | ±5% | 4.0 | 3.5 | 6.0 | 5.0 | 2.5 | 0K1 | 500 |
| | RDE5C2A470J0K1H03B | C0G | 100 | 47pF | ±5% | 4.0 | 3.5 | 6.0 | 5.0 | 2.5 | 0K1 | 500 |
| | RDE5C2A560J0K1H03B | C0G | 100 | 56pF | ±5% | 4.0 | 3.5 | 6.0 | 5.0 | 2.5 | 0K1 | 500 |
| | RDE5C2A680J0K1H03B | C0G | 100 | 68pF | ±5% | 4.0 | 3.5 | 6.0 | 5.0 | 2.5 | 0K1 | 500 |
| | RDE5C2A820J0K1H03B | C0G | 100 | 82pF | ±5% | 4.0 | 3.5 | 6.0 | 5.0 | 2.5 | 0K1 | 500 |
| | RDE5C2A101J0K1H03B | C0G | 100 | 100pF | ±5% | 4.0 | 3.5 | 6.0 | 5.0 | 2.5 | 0K1 | 500 |
| | RDE5C2A121J0K1H03B | C0G | 100 | 120pF | ±5% | 4.0 | 3.5 | 6.0 | 5.0 | 2.5 | 0K1 | 500 |
| | RDE5C2A151J0K1H03B | C0G | 100 | 150pF | ±5% | 4.0 | 3.5 | 6.0 | 5.0 | 2.5 | 0K1 | 500 |
| | RDE5C2A181J0K1H03B | C0G | 100 | 180pF | ±5% | 4.0 | 3.5 | 6.0 | 5.0 | 2.5 | 0K1 | 500 |
| | RDE5C2A221J0K1H03B | C0G | 100 | 220pF | ±5% | 4.0 | 3.5 | 6.0 | 5.0 | 2.5 | 0K1 | 500 |
| | RDE5C2A271J0K1H03B | C0G | 100 | 270pF | ±5% | 4.0 | 3.5 | 6.0 | 5.0 | 2.5 | 0K1 | 500 |
| | RDE5C2A331J0K1H03B | C0G | 100 | 330pF | ±5% | 4.0 | 3.5 | 6.0 | 5.0 | 2.5 | 0K1 | 500 |
| | RDE5C2A391J0K1H03B | C0G | 100 | 390pF | ±5% | 4.0 | 3.5 | 6.0 | 5.0 | 2.5 | 0K1 | 500 |
| | RDE5C2A471J0K1H03B | C0G | 100 | 470pF | ±5% | 4.0 | 3.5 | 6.0 | 5.0 | 2.5 | 0K1 | 500 |
| | RDE5C2A561J0K1H03B | C0G | 100 | 560pF | ±5% | 4.0 | 3.5 | 6.0 | 5.0 | 2.5 | 0K1 | 500 |
| | RDE5C2A681J0K1H03B | C0G | 100 | 680pF | ±5% | 4.0 | 3.5 | 6.0 | 5.0 | 2.5 | 0K1 | 500 |
| | RDE5C2A821J0K1H03B | C0G | 100 | 820pF | ±5% | 4.0 | 3.5 | 6.0 | 5.0 | 2.5 | 0K1 | 500 |
| | RDE5C2A102J0K1H03B | C0G | 100 | 1000pF | ±5% | 4.0 | 3.5 | 6.0 | 5.0 | 2.5 | 0K1 | 500 |

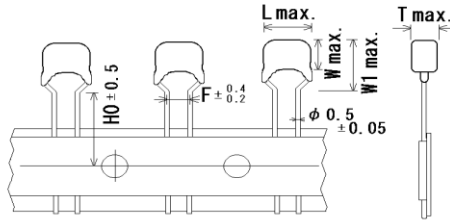
• Inside Crimp
(Lead Style:K*)



Unit : mm

| Customer Part Number | Murata Part Number | T.C. | DC Rated Volt. (V) | Cap. | Cap. Tol. | Dimension (mm) | | | | | Dimension (LxW) Lead Style | Pack qty. (pcs) |
|----------------------|--------------------|------|--------------------|---------|-----------|----------------|-----|-----|-----|------|----------------------------|-----------------|
| | | | | | | L | W | W1 | F | T | | |
| | RDE5C2A122J0K1H03B | C0G | 100 | 1200pF | ±5% | 4.0 | 3.5 | 6.0 | 5.0 | 2.5 | 0K1 | 500 |
| | RDE5C2A152J0K1H03B | C0G | 100 | 1500pF | ±5% | 4.0 | 3.5 | 6.0 | 5.0 | 2.5 | 0K1 | 500 |
| | RDE5C2A182J1K1H03B | C0G | 100 | 1800pF | ±5% | 4.5 | 3.5 | 5.0 | 5.0 | 3.15 | 1K1 | 500 |
| | RDE5C2A222J1K1H03B | C0G | 100 | 2200pF | ±5% | 4.5 | 3.5 | 5.0 | 5.0 | 3.15 | 1K1 | 500 |
| | RDE5C2A272J1K1H03B | C0G | 100 | 2700pF | ±5% | 4.5 | 3.5 | 5.0 | 5.0 | 3.15 | 1K1 | 500 |
| | RDE5C2A332J1K1H03B | C0G | 100 | 3300pF | ±5% | 4.5 | 3.5 | 5.0 | 5.0 | 3.15 | 1K1 | 500 |
| | RDE5C2A392J2K1H03B | C0G | 100 | 3900pF | ±5% | 5.5 | 4.0 | 6.0 | 5.0 | 3.15 | 2K1 | 500 |
| | RDE5C2A472J2K1H03B | C0G | 100 | 4700pF | ±5% | 5.5 | 4.0 | 6.0 | 5.0 | 3.15 | 2K1 | 500 |
| | RDE5C2A562J2K1H03B | C0G | 100 | 5600pF | ±5% | 5.5 | 4.0 | 6.0 | 5.0 | 3.15 | 2K1 | 500 |
| | RDE5C2A682J2K1H03B | C0G | 100 | 6800pF | ±5% | 5.5 | 4.0 | 6.0 | 5.0 | 3.15 | 2K1 | 500 |
| | RDE5C2A822J2K1H03B | C0G | 100 | 8200pF | ±5% | 5.5 | 4.0 | 6.0 | 5.0 | 3.15 | 2K1 | 500 |
| | RDE5C2A103J2K1H03B | C0G | 100 | 10000pF | ±5% | 5.5 | 4.0 | 6.0 | 5.0 | 3.15 | 2K1 | 500 |
| | RDE5C2A123J2K1H03B | C0G | 100 | 12000pF | ±5% | 5.5 | 4.0 | 6.0 | 5.0 | 3.15 | 2K1 | 500 |
| | RDE5C2A153J2K1H03B | C0G | 100 | 15000pF | ±5% | 5.5 | 4.0 | 6.0 | 5.0 | 3.15 | 2K1 | 500 |
| | RDE5C2A183J2K1H03B | C0G | 100 | 18000pF | ±5% | 5.5 | 4.0 | 6.0 | 5.0 | 3.15 | 2K1 | 500 |
| | RDE5C2A223J2K1H03B | C0G | 100 | 22000pF | ±5% | 5.5 | 4.0 | 6.0 | 5.0 | 3.15 | 2K1 | 500 |

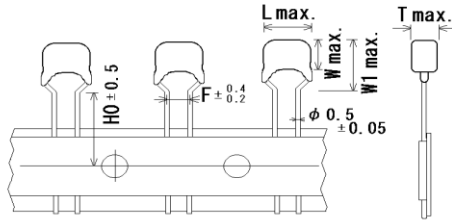
• Outside Crimp Taping
(Lead Style:S*)



Unit : mm

| Customer Part Number | Murata Part Number | T.C. | DC Rated Volt. (V) | Cap. | Cap. Tol. | Dimension (mm) | | | | | | Dimension (LxW) Lead Style | Pack qty. (pcs) |
|----------------------|--------------------|------|--------------------|--------|-----------|----------------|-----|-----|-----|-----|------|----------------------------|-----------------|
| | | | | | | L | W | W1 | F | T | H/H0 | | |
| | RDE5C1H1R0C0S1H03A | COG | 50 | 1pF | ±0.25pF | 5.0 | 3.5 | 6.0 | 2.5 | 2.5 | 16.0 | 0S1 | 2000 |
| | RDE5C1H2R0C0S1H03A | COG | 50 | 2pF | ±0.25pF | 5.0 | 3.5 | 6.0 | 2.5 | 2.5 | 16.0 | 0S1 | 2000 |
| | RDE5C1H3R0C0S1H03A | COG | 50 | 3pF | ±0.25pF | 5.0 | 3.5 | 6.0 | 2.5 | 2.5 | 16.0 | 0S1 | 2000 |
| | RDE5C1H4R0C0S1H03A | COG | 50 | 4pF | ±0.25pF | 5.0 | 3.5 | 6.0 | 2.5 | 2.5 | 16.0 | 0S1 | 2000 |
| | RDE5C1H5R0C0S1H03A | COG | 50 | 5pF | ±0.25pF | 5.0 | 3.5 | 6.0 | 2.5 | 2.5 | 16.0 | 0S1 | 2000 |
| | RDE5C1H6R0D0S1H03A | COG | 50 | 6pF | ±0.5pF | 5.0 | 3.5 | 6.0 | 2.5 | 2.5 | 16.0 | 0S1 | 2000 |
| | RDE5C1H7R0D0S1H03A | COG | 50 | 7pF | ±0.5pF | 5.0 | 3.5 | 6.0 | 2.5 | 2.5 | 16.0 | 0S1 | 2000 |
| | RDE5C1H8R0D0S1H03A | COG | 50 | 8pF | ±0.5pF | 5.0 | 3.5 | 6.0 | 2.5 | 2.5 | 16.0 | 0S1 | 2000 |
| | RDE5C1H9R0D0S1H03A | COG | 50 | 9pF | ±0.5pF | 5.0 | 3.5 | 6.0 | 2.5 | 2.5 | 16.0 | 0S1 | 2000 |
| | RDE5C1H100J0S1H03A | COG | 50 | 10pF | ±5% | 5.0 | 3.5 | 6.0 | 2.5 | 2.5 | 16.0 | 0S1 | 2000 |
| | RDE5C1H120J0S1H03A | COG | 50 | 12pF | ±5% | 5.0 | 3.5 | 6.0 | 2.5 | 2.5 | 16.0 | 0S1 | 2000 |
| | RDE5C1H150J0S1H03A | COG | 50 | 15pF | ±5% | 5.0 | 3.5 | 6.0 | 2.5 | 2.5 | 16.0 | 0S1 | 2000 |
| | RDE5C1H180J0S1H03A | COG | 50 | 18pF | ±5% | 5.0 | 3.5 | 6.0 | 2.5 | 2.5 | 16.0 | 0S1 | 2000 |
| | RDE5C1H220J0S1H03A | COG | 50 | 22pF | ±5% | 5.0 | 3.5 | 6.0 | 2.5 | 2.5 | 16.0 | 0S1 | 2000 |
| | RDE5C1H270J0S1H03A | COG | 50 | 27pF | ±5% | 5.0 | 3.5 | 6.0 | 2.5 | 2.5 | 16.0 | 0S1 | 2000 |
| | RDE5C1H330J0S1H03A | COG | 50 | 33pF | ±5% | 5.0 | 3.5 | 6.0 | 2.5 | 2.5 | 16.0 | 0S1 | 2000 |
| | RDE5C1H390J0S1H03A | COG | 50 | 39pF | ±5% | 5.0 | 3.5 | 6.0 | 2.5 | 2.5 | 16.0 | 0S1 | 2000 |
| | RDE5C1H470J0S1H03A | COG | 50 | 47pF | ±5% | 5.0 | 3.5 | 6.0 | 2.5 | 2.5 | 16.0 | 0S1 | 2000 |
| | RDE5C1H560J0S1H03A | COG | 50 | 56pF | ±5% | 5.0 | 3.5 | 6.0 | 2.5 | 2.5 | 16.0 | 0S1 | 2000 |
| | RDE5C1H680J0S1H03A | COG | 50 | 68pF | ±5% | 5.0 | 3.5 | 6.0 | 2.5 | 2.5 | 16.0 | 0S1 | 2000 |
| | RDE5C1H820J0S1H03A | COG | 50 | 82pF | ±5% | 5.0 | 3.5 | 6.0 | 2.5 | 2.5 | 16.0 | 0S1 | 2000 |
| | RDE5C1H101J0S1H03A | COG | 50 | 100pF | ±5% | 5.0 | 3.5 | 6.0 | 2.5 | 2.5 | 16.0 | 0S1 | 2000 |
| | RDE5C1H121J0S1H03A | COG | 50 | 120pF | ±5% | 5.0 | 3.5 | 6.0 | 2.5 | 2.5 | 16.0 | 0S1 | 2000 |
| | RDE5C1H151J0S1H03A | COG | 50 | 150pF | ±5% | 5.0 | 3.5 | 6.0 | 2.5 | 2.5 | 16.0 | 0S1 | 2000 |
| | RDE5C1H181J0S1H03A | COG | 50 | 180pF | ±5% | 5.0 | 3.5 | 6.0 | 2.5 | 2.5 | 16.0 | 0S1 | 2000 |
| | RDE5C1H221J0S1H03A | COG | 50 | 220pF | ±5% | 5.0 | 3.5 | 6.0 | 2.5 | 2.5 | 16.0 | 0S1 | 2000 |
| | RDE5C1H271J0S1H03A | COG | 50 | 270pF | ±5% | 5.0 | 3.5 | 6.0 | 2.5 | 2.5 | 16.0 | 0S1 | 2000 |
| | RDE5C1H331J0S1H03A | COG | 50 | 330pF | ±5% | 5.0 | 3.5 | 6.0 | 2.5 | 2.5 | 16.0 | 0S1 | 2000 |
| | RDE5C1H391J0S1H03A | COG | 50 | 390pF | ±5% | 5.0 | 3.5 | 6.0 | 2.5 | 2.5 | 16.0 | 0S1 | 2000 |
| | RDE5C1H471J0S1H03A | COG | 50 | 470pF | ±5% | 5.0 | 3.5 | 6.0 | 2.5 | 2.5 | 16.0 | 0S1 | 2000 |
| | RDE5C1H561J0S1H03A | COG | 50 | 560pF | ±5% | 5.0 | 3.5 | 6.0 | 2.5 | 2.5 | 16.0 | 0S1 | 2000 |
| | RDE5C1H681J0S1H03A | COG | 50 | 680pF | ±5% | 5.0 | 3.5 | 6.0 | 2.5 | 2.5 | 16.0 | 0S1 | 2000 |
| | RDE5C1H821J0S1H03A | COG | 50 | 820pF | ±5% | 5.0 | 3.5 | 6.0 | 2.5 | 2.5 | 16.0 | 0S1 | 2000 |
| | RDE5C1H102J0S1H03A | COG | 50 | 1000pF | ±5% | 5.0 | 3.5 | 6.0 | 2.5 | 2.5 | 16.0 | 0S1 | 2000 |
| | RDE5C1H122J0S1H03A | COG | 50 | 1200pF | ±5% | 5.0 | 3.5 | 6.0 | 2.5 | 2.5 | 16.0 | 0S1 | 2000 |
| | RDE5C1H152J0S1H03A | COG | 50 | 1500pF | ±5% | 5.0 | 3.5 | 6.0 | 2.5 | 2.5 | 16.0 | 0S1 | 2000 |
| | RDE5C1H182J0S1H03A | COG | 50 | 1800pF | ±5% | 5.0 | 3.5 | 6.0 | 2.5 | 2.5 | 16.0 | 0S1 | 2000 |
| | RDE5C1H222J0S1H03A | COG | 50 | 2200pF | ±5% | 5.0 | 3.5 | 6.0 | 2.5 | 2.5 | 16.0 | 0S1 | 2000 |
| | RDE5C1H272J0S1H03A | COG | 50 | 2700pF | ±5% | 5.0 | 3.5 | 6.0 | 2.5 | 2.5 | 16.0 | 0S1 | 2000 |
| | RDE5C1H332J0S1H03A | COG | 50 | 3300pF | ±5% | 5.0 | 3.5 | 6.0 | 2.5 | 2.5 | 16.0 | 0S1 | 2000 |

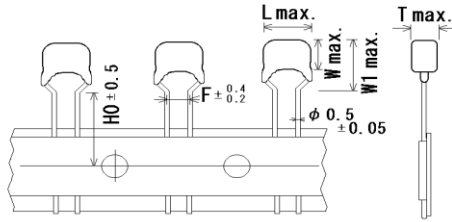
• Outside Crimp Taping
(Lead Style:S*)



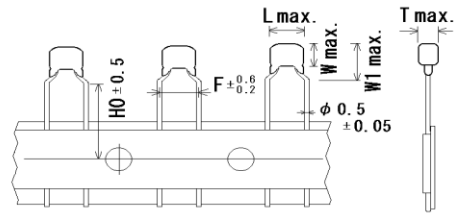
Unit : mm

| Customer Part Number | Murata Part Number | T.C. | DC Rated Volt. (V) | Cap. | Cap. Tol. | Dimension (mm) | | | | | | Dimension (LxW) Lead Style | Pack qty. (pcs) |
|----------------------|--------------------|------|--------------------|---------|-----------|----------------|-----|-----|-----|------|------|----------------------------|-----------------|
| | | | | | | L | W | W1 | F | T | H/H0 | | |
| | RDE5C1H392J0S1H03A | COG | 50 | 3900pF | ±5% | 5.0 | 3.5 | 6.0 | 2.5 | 2.5 | 16.0 | 0S1 | 2000 |
| | RDE5C1H472J1S1H03A | COG | 50 | 4700pF | ±5% | 5.0 | 3.5 | 5.0 | 2.5 | 3.15 | 16.0 | 1S1 | 2000 |
| | RDE5C1H562J1S1H03A | COG | 50 | 5600pF | ±5% | 5.0 | 3.5 | 5.0 | 2.5 | 3.15 | 16.0 | 1S1 | 2000 |
| | RDE5C1H682J1S1H03A | COG | 50 | 6800pF | ±5% | 5.0 | 3.5 | 5.0 | 2.5 | 3.15 | 16.0 | 1S1 | 2000 |
| | RDE5C1H822J1S1H03A | COG | 50 | 8200pF | ±5% | 5.0 | 3.5 | 5.0 | 2.5 | 3.15 | 16.0 | 1S1 | 2000 |
| | RDE5C1H103J1S1H03A | COG | 50 | 10000pF | ±5% | 5.0 | 3.5 | 5.0 | 2.5 | 3.15 | 16.0 | 1S1 | 2000 |
| | RDE5C1H123J1S1H03A | COG | 50 | 12000pF | ±5% | 5.0 | 3.5 | 5.0 | 2.5 | 3.15 | 16.0 | 1S1 | 2000 |
| | RDE5C1H153J1S1H03A | COG | 50 | 15000pF | ±5% | 5.0 | 3.5 | 5.0 | 2.5 | 3.15 | 16.0 | 1S1 | 2000 |
| | RDE5C1H183J1S1H03A | COG | 50 | 18000pF | ±5% | 5.0 | 3.5 | 5.0 | 2.5 | 3.15 | 16.0 | 1S1 | 2000 |
| | RDE5C1H223J1S1H03A | COG | 50 | 22000pF | ±5% | 5.0 | 3.5 | 5.0 | 2.5 | 3.15 | 16.0 | 1S1 | 2000 |
| | RDE5C1H273J2S1H03A | COG | 50 | 27000pF | ±5% | 5.5 | 4.0 | 6.0 | 2.5 | 3.15 | 16.0 | 2S1 | 2000 |
| | RDE5C1H333J2S1H03A | COG | 50 | 33000pF | ±5% | 5.5 | 4.0 | 6.0 | 2.5 | 3.15 | 16.0 | 2S1 | 2000 |
| | RDE5C1H393J2S1H03A | COG | 50 | 39000pF | ±5% | 5.5 | 4.0 | 6.0 | 2.5 | 3.15 | 16.0 | 2S1 | 2000 |
| | RDE5C1H473J2S1H03A | COG | 50 | 47000pF | ±5% | 5.5 | 4.0 | 6.0 | 2.5 | 3.15 | 16.0 | 2S1 | 2000 |
| | RDE5C1H563J2S1H03A | COG | 50 | 56000pF | ±5% | 5.5 | 4.0 | 6.0 | 2.5 | 3.15 | 16.0 | 2S1 | 2000 |
| | RDE5C1H683J2S1H03A | COG | 50 | 68000pF | ±5% | 5.5 | 4.0 | 6.0 | 2.5 | 3.15 | 16.0 | 2S1 | 2000 |
| | RDE5C1H823J2S1H03A | COG | 50 | 82000pF | ±5% | 5.5 | 4.0 | 6.0 | 2.5 | 3.15 | 16.0 | 2S1 | 2000 |
| | RDE5C1H104J2S1H03A | COG | 50 | 0.1μF | ±5% | 5.5 | 4.0 | 6.0 | 2.5 | 3.15 | 16.0 | 2S1 | 2000 |
| | RDE5C2A1R0C0S1H03A | COG | 100 | 1pF | ±0.25pF | 5.0 | 3.5 | 6.0 | 2.5 | 2.5 | 16.0 | 0S1 | 2000 |
| | RDE5C2A2R0C0S1H03A | COG | 100 | 2pF | ±0.25pF | 5.0 | 3.5 | 6.0 | 2.5 | 2.5 | 16.0 | 0S1 | 2000 |
| | RDE5C2A3R0C0S1H03A | COG | 100 | 3pF | ±0.25pF | 5.0 | 3.5 | 6.0 | 2.5 | 2.5 | 16.0 | 0S1 | 2000 |
| | RDE5C2A4R0C0S1H03A | COG | 100 | 4pF | ±0.25pF | 5.0 | 3.5 | 6.0 | 2.5 | 2.5 | 16.0 | 0S1 | 2000 |
| | RDE5C2A5R0C0S1H03A | COG | 100 | 5pF | ±0.25pF | 5.0 | 3.5 | 6.0 | 2.5 | 2.5 | 16.0 | 0S1 | 2000 |
| | RDE5C2A6R0D0S1H03A | COG | 100 | 6pF | ±0.5pF | 5.0 | 3.5 | 6.0 | 2.5 | 2.5 | 16.0 | 0S1 | 2000 |
| | RDE5C2A7R0D0S1H03A | COG | 100 | 7pF | ±0.5pF | 5.0 | 3.5 | 6.0 | 2.5 | 2.5 | 16.0 | 0S1 | 2000 |
| | RDE5C2A8R0D0S1H03A | COG | 100 | 8pF | ±0.5pF | 5.0 | 3.5 | 6.0 | 2.5 | 2.5 | 16.0 | 0S1 | 2000 |
| | RDE5C2A9R0D0S1H03A | COG | 100 | 9pF | ±0.5pF | 5.0 | 3.5 | 6.0 | 2.5 | 2.5 | 16.0 | 0S1 | 2000 |
| | RDE5C2A100J0S1H03A | COG | 100 | 10pF | ±5% | 5.0 | 3.5 | 6.0 | 2.5 | 2.5 | 16.0 | 0S1 | 2000 |
| | RDE5C2A120J0S1H03A | COG | 100 | 12pF | ±5% | 5.0 | 3.5 | 6.0 | 2.5 | 2.5 | 16.0 | 0S1 | 2000 |
| | RDE5C2A150J0S1H03A | COG | 100 | 15pF | ±5% | 5.0 | 3.5 | 6.0 | 2.5 | 2.5 | 16.0 | 0S1 | 2000 |
| | RDE5C2A180J0S1H03A | COG | 100 | 18pF | ±5% | 5.0 | 3.5 | 6.0 | 2.5 | 2.5 | 16.0 | 0S1 | 2000 |
| | RDE5C2A220J0S1H03A | COG | 100 | 22pF | ±5% | 5.0 | 3.5 | 6.0 | 2.5 | 2.5 | 16.0 | 0S1 | 2000 |
| | RDE5C2A270J0S1H03A | COG | 100 | 27pF | ±5% | 5.0 | 3.5 | 6.0 | 2.5 | 2.5 | 16.0 | 0S1 | 2000 |
| | RDE5C2A330J0S1H03A | COG | 100 | 33pF | ±5% | 5.0 | 3.5 | 6.0 | 2.5 | 2.5 | 16.0 | 0S1 | 2000 |
| | RDE5C2A390J0S1H03A | COG | 100 | 39pF | ±5% | 5.0 | 3.5 | 6.0 | 2.5 | 2.5 | 16.0 | 0S1 | 2000 |
| | RDE5C2A470J0S1H03A | COG | 100 | 47pF | ±5% | 5.0 | 3.5 | 6.0 | 2.5 | 2.5 | 16.0 | 0S1 | 2000 |
| | RDE5C2A560J0S1H03A | COG | 100 | 56pF | ±5% | 5.0 | 3.5 | 6.0 | 2.5 | 2.5 | 16.0 | 0S1 | 2000 |
| | RDE5C2A680J0S1H03A | COG | 100 | 68pF | ±5% | 5.0 | 3.5 | 6.0 | 2.5 | 2.5 | 16.0 | 0S1 | 2000 |
| | RDE5C2A820J0S1H03A | COG | 100 | 82pF | ±5% | 5.0 | 3.5 | 6.0 | 2.5 | 2.5 | 16.0 | 0S1 | 2000 |
| | RDE5C2A101J0S1H03A | COG | 100 | 100pF | ±5% | 5.0 | 3.5 | 6.0 | 2.5 | 2.5 | 16.0 | 0S1 | 2000 |

• Outside Crimp Taping
(Lead Style: S*)



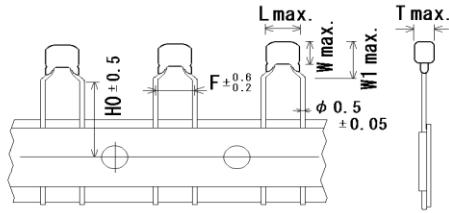
• Inside Crimp Taping
(Lead Style: M*)



Unit : mm

| Customer Part Number | Murata Part Number | T.C. | DC Rated Volt. (V) | Cap. | Cap. Tol. | Dimension (mm) | | | | | | Dimension (LxW) Lead Style | Pack qty. (pcs) |
|----------------------|--------------------|------|--------------------|---------|-----------|----------------|-----|-----|-----|------|------|----------------------------|-----------------|
| | | | | | | L | W | W1 | F | T | H/HO | | |
| | RDE5C2A121J0S1H03A | COG | 100 | 120pF | ±5% | 5.0 | 3.5 | 6.0 | 2.5 | 2.5 | 16.0 | 0S1 | 2000 |
| | RDE5C2A151J0S1H03A | COG | 100 | 150pF | ±5% | 5.0 | 3.5 | 6.0 | 2.5 | 2.5 | 16.0 | 0S1 | 2000 |
| | RDE5C2A181J0S1H03A | COG | 100 | 180pF | ±5% | 5.0 | 3.5 | 6.0 | 2.5 | 2.5 | 16.0 | 0S1 | 2000 |
| | RDE5C2A221J0S1H03A | COG | 100 | 220pF | ±5% | 5.0 | 3.5 | 6.0 | 2.5 | 2.5 | 16.0 | 0S1 | 2000 |
| | RDE5C2A271J0S1H03A | COG | 100 | 270pF | ±5% | 5.0 | 3.5 | 6.0 | 2.5 | 2.5 | 16.0 | 0S1 | 2000 |
| | RDE5C2A331J0S1H03A | COG | 100 | 330pF | ±5% | 5.0 | 3.5 | 6.0 | 2.5 | 2.5 | 16.0 | 0S1 | 2000 |
| | RDE5C2A391J0S1H03A | COG | 100 | 390pF | ±5% | 5.0 | 3.5 | 6.0 | 2.5 | 2.5 | 16.0 | 0S1 | 2000 |
| | RDE5C2A471J0S1H03A | COG | 100 | 470pF | ±5% | 5.0 | 3.5 | 6.0 | 2.5 | 2.5 | 16.0 | 0S1 | 2000 |
| | RDE5C2A561J0S1H03A | COG | 100 | 560pF | ±5% | 5.0 | 3.5 | 6.0 | 2.5 | 2.5 | 16.0 | 0S1 | 2000 |
| | RDE5C2A681J0S1H03A | COG | 100 | 680pF | ±5% | 5.0 | 3.5 | 6.0 | 2.5 | 2.5 | 16.0 | 0S1 | 2000 |
| | RDE5C2A821J0S1H03A | COG | 100 | 820pF | ±5% | 5.0 | 3.5 | 6.0 | 2.5 | 2.5 | 16.0 | 0S1 | 2000 |
| | RDE5C2A102J0S1H03A | COG | 100 | 1000pF | ±5% | 5.0 | 3.5 | 6.0 | 2.5 | 2.5 | 16.0 | 0S1 | 2000 |
| | RDE5C2A122J0S1H03A | COG | 100 | 1200pF | ±5% | 5.0 | 3.5 | 6.0 | 2.5 | 2.5 | 16.0 | 0S1 | 2000 |
| | RDE5C2A152J0S1H03A | COG | 100 | 1500pF | ±5% | 5.0 | 3.5 | 6.0 | 2.5 | 2.5 | 16.0 | 0S1 | 2000 |
| | RDE5C2A182J1S1H03A | COG | 100 | 1800pF | ±5% | 5.0 | 3.5 | 5.0 | 2.5 | 3.15 | 16.0 | 1S1 | 2000 |
| | RDE5C2A222J1S1H03A | COG | 100 | 2200pF | ±5% | 5.0 | 3.5 | 5.0 | 2.5 | 3.15 | 16.0 | 1S1 | 2000 |
| | RDE5C2A272J1S1H03A | COG | 100 | 2700pF | ±5% | 5.0 | 3.5 | 5.0 | 2.5 | 3.15 | 16.0 | 1S1 | 2000 |
| | RDE5C2A332J1S1H03A | COG | 100 | 3300pF | ±5% | 5.0 | 3.5 | 5.0 | 2.5 | 3.15 | 16.0 | 1S1 | 2000 |
| | RDE5C2A392J2S1H03A | COG | 100 | 3900pF | ±5% | 5.5 | 4.0 | 6.0 | 2.5 | 3.15 | 16.0 | 2S1 | 2000 |
| | RDE5C2A472J2S1H03A | COG | 100 | 4700pF | ±5% | 5.5 | 4.0 | 6.0 | 2.5 | 3.15 | 16.0 | 2S1 | 2000 |
| | RDE5C2A562J2S1H03A | COG | 100 | 5600pF | ±5% | 5.5 | 4.0 | 6.0 | 2.5 | 3.15 | 16.0 | 2S1 | 2000 |
| | RDE5C2A682J2S1H03A | COG | 100 | 6800pF | ±5% | 5.5 | 4.0 | 6.0 | 2.5 | 3.15 | 16.0 | 2S1 | 2000 |
| | RDE5C2A822J2S1H03A | COG | 100 | 8200pF | ±5% | 5.5 | 4.0 | 6.0 | 2.5 | 3.15 | 16.0 | 2S1 | 2000 |
| | RDE5C2A103J2S1H03A | COG | 100 | 10000pF | ±5% | 5.5 | 4.0 | 6.0 | 2.5 | 3.15 | 16.0 | 2S1 | 2000 |
| | RDE5C2A123J2S1H03A | COG | 100 | 12000pF | ±5% | 5.5 | 4.0 | 6.0 | 2.5 | 3.15 | 16.0 | 2S1 | 2000 |
| | RDE5C2A153J2S1H03A | COG | 100 | 15000pF | ±5% | 5.5 | 4.0 | 6.0 | 2.5 | 3.15 | 16.0 | 2S1 | 2000 |
| | RDE5C2A183J2S1H03A | COG | 100 | 18000pF | ±5% | 5.5 | 4.0 | 6.0 | 2.5 | 3.15 | 16.0 | 2S1 | 2000 |
| | RDE5C2A223J2S1H03A | COG | 100 | 22000pF | ±5% | 5.5 | 4.0 | 6.0 | 2.5 | 3.15 | 16.0 | 2S1 | 2000 |
| | RDE5C1H1R0C0M1H03A | COG | 50 | 1pF | ±0.25pF | 4.0 | 3.5 | 6.0 | 5.0 | 2.5 | 16.0 | 0M1 | 2000 |
| | RDE5C1H2R0C0M1H03A | COG | 50 | 2pF | ±0.25pF | 4.0 | 3.5 | 6.0 | 5.0 | 2.5 | 16.0 | 0M1 | 2000 |
| | RDE5C1H3R0C0M1H03A | COG | 50 | 3pF | ±0.25pF | 4.0 | 3.5 | 6.0 | 5.0 | 2.5 | 16.0 | 0M1 | 2000 |
| | RDE5C1H4R0C0M1H03A | COG | 50 | 4pF | ±0.25pF | 4.0 | 3.5 | 6.0 | 5.0 | 2.5 | 16.0 | 0M1 | 2000 |
| | RDE5C1H5R0C0M1H03A | COG | 50 | 5pF | ±0.25pF | 4.0 | 3.5 | 6.0 | 5.0 | 2.5 | 16.0 | 0M1 | 2000 |
| | RDE5C1H6R0D0M1H03A | COG | 50 | 6pF | ±0.5pF | 4.0 | 3.5 | 6.0 | 5.0 | 2.5 | 16.0 | 0M1 | 2000 |
| | RDE5C1H7R0D0M1H03A | COG | 50 | 7pF | ±0.5pF | 4.0 | 3.5 | 6.0 | 5.0 | 2.5 | 16.0 | 0M1 | 2000 |
| | RDE5C1H8R0D0M1H03A | COG | 50 | 8pF | ±0.5pF | 4.0 | 3.5 | 6.0 | 5.0 | 2.5 | 16.0 | 0M1 | 2000 |
| | RDE5C1H9R0D0M1H03A | COG | 50 | 9pF | ±0.5pF | 4.0 | 3.5 | 6.0 | 5.0 | 2.5 | 16.0 | 0M1 | 2000 |
| | RDE5C1H100J0M1H03A | COG | 50 | 10pF | ±5% | 4.0 | 3.5 | 6.0 | 5.0 | 2.5 | 16.0 | 0M1 | 2000 |
| | RDE5C1H120J0M1H03A | COG | 50 | 12pF | ±5% | 4.0 | 3.5 | 6.0 | 5.0 | 2.5 | 16.0 | 0M1 | 2000 |
| | RDE5C1H150J0M1H03A | COG | 50 | 15pF | ±5% | 4.0 | 3.5 | 6.0 | 5.0 | 2.5 | 16.0 | 0M1 | 2000 |

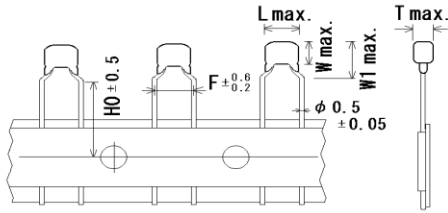
• Inside Crimp Taping
(Lead Style: M*)



Unit : mm

| Customer Part Number | Murata Part Number | T.C. | DC Rated Volt. (V) | Cap. | Cap. Tol. | Dimension (mm) | | | | | | Dimension (LxW) Lead Style | Pack qty. (pcs) |
|----------------------|--------------------|------|--------------------|---------|-----------|----------------|-----|-----|-----|------|------|----------------------------|-----------------|
| | | | | | | L | W | W1 | F | T | H/HO | | |
| | RDE5C1H180J0M1H03A | COG | 50 | 18pF | ±5% | 4.0 | 3.5 | 6.0 | 5.0 | 2.5 | 16.0 | 0M1 | 2000 |
| | RDE5C1H220J0M1H03A | COG | 50 | 22pF | ±5% | 4.0 | 3.5 | 6.0 | 5.0 | 2.5 | 16.0 | 0M1 | 2000 |
| | RDE5C1H270J0M1H03A | COG | 50 | 27pF | ±5% | 4.0 | 3.5 | 6.0 | 5.0 | 2.5 | 16.0 | 0M1 | 2000 |
| | RDE5C1H330J0M1H03A | COG | 50 | 33pF | ±5% | 4.0 | 3.5 | 6.0 | 5.0 | 2.5 | 16.0 | 0M1 | 2000 |
| | RDE5C1H390J0M1H03A | COG | 50 | 39pF | ±5% | 4.0 | 3.5 | 6.0 | 5.0 | 2.5 | 16.0 | 0M1 | 2000 |
| | RDE5C1H470J0M1H03A | COG | 50 | 47pF | ±5% | 4.0 | 3.5 | 6.0 | 5.0 | 2.5 | 16.0 | 0M1 | 2000 |
| | RDE5C1H560J0M1H03A | COG | 50 | 56pF | ±5% | 4.0 | 3.5 | 6.0 | 5.0 | 2.5 | 16.0 | 0M1 | 2000 |
| | RDE5C1H680J0M1H03A | COG | 50 | 68pF | ±5% | 4.0 | 3.5 | 6.0 | 5.0 | 2.5 | 16.0 | 0M1 | 2000 |
| | RDE5C1H820J0M1H03A | COG | 50 | 82pF | ±5% | 4.0 | 3.5 | 6.0 | 5.0 | 2.5 | 16.0 | 0M1 | 2000 |
| | RDE5C1H101J0M1H03A | COG | 50 | 100pF | ±5% | 4.0 | 3.5 | 6.0 | 5.0 | 2.5 | 16.0 | 0M1 | 2000 |
| | RDE5C1H121J0M1H03A | COG | 50 | 120pF | ±5% | 4.0 | 3.5 | 6.0 | 5.0 | 2.5 | 16.0 | 0M1 | 2000 |
| | RDE5C1H151J0M1H03A | COG | 50 | 150pF | ±5% | 4.0 | 3.5 | 6.0 | 5.0 | 2.5 | 16.0 | 0M1 | 2000 |
| | RDE5C1H181J0M1H03A | COG | 50 | 180pF | ±5% | 4.0 | 3.5 | 6.0 | 5.0 | 2.5 | 16.0 | 0M1 | 2000 |
| | RDE5C1H221J0M1H03A | COG | 50 | 220pF | ±5% | 4.0 | 3.5 | 6.0 | 5.0 | 2.5 | 16.0 | 0M1 | 2000 |
| | RDE5C1H271J0M1H03A | COG | 50 | 270pF | ±5% | 4.0 | 3.5 | 6.0 | 5.0 | 2.5 | 16.0 | 0M1 | 2000 |
| | RDE5C1H331J0M1H03A | COG | 50 | 330pF | ±5% | 4.0 | 3.5 | 6.0 | 5.0 | 2.5 | 16.0 | 0M1 | 2000 |
| | RDE5C1H391J0M1H03A | COG | 50 | 390pF | ±5% | 4.0 | 3.5 | 6.0 | 5.0 | 2.5 | 16.0 | 0M1 | 2000 |
| | RDE5C1H471J0M1H03A | COG | 50 | 470pF | ±5% | 4.0 | 3.5 | 6.0 | 5.0 | 2.5 | 16.0 | 0M1 | 2000 |
| | RDE5C1H561J0M1H03A | COG | 50 | 560pF | ±5% | 4.0 | 3.5 | 6.0 | 5.0 | 2.5 | 16.0 | 0M1 | 2000 |
| | RDE5C1H681J0M1H03A | COG | 50 | 680pF | ±5% | 4.0 | 3.5 | 6.0 | 5.0 | 2.5 | 16.0 | 0M1 | 2000 |
| | RDE5C1H821J0M1H03A | COG | 50 | 820pF | ±5% | 4.0 | 3.5 | 6.0 | 5.0 | 2.5 | 16.0 | 0M1 | 2000 |
| | RDE5C1H102J0M1H03A | COG | 50 | 1000pF | ±5% | 4.0 | 3.5 | 6.0 | 5.0 | 2.5 | 16.0 | 0M1 | 2000 |
| | RDE5C1H122J0M1H03A | COG | 50 | 1200pF | ±5% | 4.0 | 3.5 | 6.0 | 5.0 | 2.5 | 16.0 | 0M1 | 2000 |
| | RDE5C1H152J0M1H03A | COG | 50 | 1500pF | ±5% | 4.0 | 3.5 | 6.0 | 5.0 | 2.5 | 16.0 | 0M1 | 2000 |
| | RDE5C1H182J0M1H03A | COG | 50 | 1800pF | ±5% | 4.0 | 3.5 | 6.0 | 5.0 | 2.5 | 16.0 | 0M1 | 2000 |
| | RDE5C1H222J0M1H03A | COG | 50 | 2200pF | ±5% | 4.0 | 3.5 | 6.0 | 5.0 | 2.5 | 16.0 | 0M1 | 2000 |
| | RDE5C1H272J0M1H03A | COG | 50 | 2700pF | ±5% | 4.0 | 3.5 | 6.0 | 5.0 | 2.5 | 16.0 | 0M1 | 2000 |
| | RDE5C1H332J0M1H03A | COG | 50 | 3300pF | ±5% | 4.0 | 3.5 | 6.0 | 5.0 | 2.5 | 16.0 | 0M1 | 2000 |
| | RDE5C1H392J0M1H03A | COG | 50 | 3900pF | ±5% | 4.0 | 3.5 | 6.0 | 5.0 | 2.5 | 16.0 | 0M1 | 2000 |
| | RDE5C1H472J1M1H03A | COG | 50 | 4700pF | ±5% | 4.5 | 3.5 | 5.0 | 5.0 | 3.15 | 16.0 | 1M1 | 2000 |
| | RDE5C1H562J1M1H03A | COG | 50 | 5600pF | ±5% | 4.5 | 3.5 | 5.0 | 5.0 | 3.15 | 16.0 | 1M1 | 2000 |
| | RDE5C1H682J1M1H03A | COG | 50 | 6800pF | ±5% | 4.5 | 3.5 | 5.0 | 5.0 | 3.15 | 16.0 | 1M1 | 2000 |
| | RDE5C1H822J1M1H03A | COG | 50 | 8200pF | ±5% | 4.5 | 3.5 | 5.0 | 5.0 | 3.15 | 16.0 | 1M1 | 2000 |
| | RDE5C1H103J1M1H03A | COG | 50 | 10000pF | ±5% | 4.5 | 3.5 | 5.0 | 5.0 | 3.15 | 16.0 | 1M1 | 2000 |
| | RDE5C1H123J1M1H03A | COG | 50 | 12000pF | ±5% | 4.5 | 3.5 | 5.0 | 5.0 | 3.15 | 16.0 | 1M1 | 2000 |
| | RDE5C1H153J1M1H03A | COG | 50 | 15000pF | ±5% | 4.5 | 3.5 | 5.0 | 5.0 | 3.15 | 16.0 | 1M1 | 2000 |
| | RDE5C1H183J1M1H03A | COG | 50 | 18000pF | ±5% | 4.5 | 3.5 | 5.0 | 5.0 | 3.15 | 16.0 | 1M1 | 2000 |
| | RDE5C1H223J1M1H03A | COG | 50 | 22000pF | ±5% | 4.5 | 3.5 | 5.0 | 5.0 | 3.15 | 16.0 | 1M1 | 2000 |
| | RDE5C1H273J2M1H03A | COG | 50 | 27000pF | ±5% | 5.5 | 4.0 | 6.0 | 5.0 | 3.15 | 16.0 | 2M1 | 2000 |
| | RDE5C1H333J2M1H03A | COG | 50 | 33000pF | ±5% | 5.5 | 4.0 | 6.0 | 5.0 | 3.15 | 16.0 | 2M1 | 2000 |

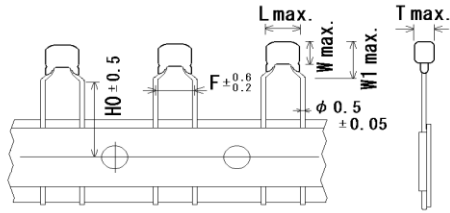
• Inside Crimp Taping
(Lead Style: M*)



Unit : mm

| Customer Part Number | Murata Part Number | T.C. | DC Rated Volt. (V) | Cap. | Cap. Tol. | Dimension (mm) | | | | | | Dimension (LxW) Lead Style | Pack qty. (pcs) |
|----------------------|--------------------|------|--------------------|---------|-----------|----------------|-----|-----|-----|------|------|----------------------------|-----------------|
| | | | | | | L | W | W1 | F | T | H/H0 | | |
| | RDE5C1H393J2M1H03A | COG | 50 | 39000pF | ±5% | 5.5 | 4.0 | 6.0 | 5.0 | 3.15 | 16.0 | 2M1 | 2000 |
| | RDE5C1H473J2M1H03A | COG | 50 | 47000pF | ±5% | 5.5 | 4.0 | 6.0 | 5.0 | 3.15 | 16.0 | 2M1 | 2000 |
| | RDE5C1H563J2M1H03A | COG | 50 | 56000pF | ±5% | 5.5 | 4.0 | 6.0 | 5.0 | 3.15 | 16.0 | 2M1 | 2000 |
| | RDE5C1H683J2M1H03A | COG | 50 | 68000pF | ±5% | 5.5 | 4.0 | 6.0 | 5.0 | 3.15 | 16.0 | 2M1 | 2000 |
| | RDE5C1H823J2M1H03A | COG | 50 | 82000pF | ±5% | 5.5 | 4.0 | 6.0 | 5.0 | 3.15 | 16.0 | 2M1 | 2000 |
| | RDE5C1H104J2M1H03A | COG | 50 | 0.1μF | ±5% | 5.5 | 4.0 | 6.0 | 5.0 | 3.15 | 16.0 | 2M1 | 2000 |
| | RDE5C2A1R0C0M1H03A | COG | 100 | 1pF | ±0.25pF | 4.0 | 3.5 | 6.0 | 5.0 | 2.5 | 16.0 | 0M1 | 2000 |
| | RDE5C2A2R0C0M1H03A | COG | 100 | 2pF | ±0.25pF | 4.0 | 3.5 | 6.0 | 5.0 | 2.5 | 16.0 | 0M1 | 2000 |
| | RDE5C2A3R0C0M1H03A | COG | 100 | 3pF | ±0.25pF | 4.0 | 3.5 | 6.0 | 5.0 | 2.5 | 16.0 | 0M1 | 2000 |
| | RDE5C2A4R0C0M1H03A | COG | 100 | 4pF | ±0.25pF | 4.0 | 3.5 | 6.0 | 5.0 | 2.5 | 16.0 | 0M1 | 2000 |
| | RDE5C2A5R0C0M1H03A | COG | 100 | 5pF | ±0.25pF | 4.0 | 3.5 | 6.0 | 5.0 | 2.5 | 16.0 | 0M1 | 2000 |
| | RDE5C2A6R0D0M1H03A | COG | 100 | 6pF | ±0.5pF | 4.0 | 3.5 | 6.0 | 5.0 | 2.5 | 16.0 | 0M1 | 2000 |
| | RDE5C2A7R0D0M1H03A | COG | 100 | 7pF | ±0.5pF | 4.0 | 3.5 | 6.0 | 5.0 | 2.5 | 16.0 | 0M1 | 2000 |
| | RDE5C2A8R0D0M1H03A | COG | 100 | 8pF | ±0.5pF | 4.0 | 3.5 | 6.0 | 5.0 | 2.5 | 16.0 | 0M1 | 2000 |
| | RDE5C2A9R0D0M1H03A | COG | 100 | 9pF | ±0.5pF | 4.0 | 3.5 | 6.0 | 5.0 | 2.5 | 16.0 | 0M1 | 2000 |
| | RDE5C2A100J0M1H03A | COG | 100 | 10pF | ±5% | 4.0 | 3.5 | 6.0 | 5.0 | 2.5 | 16.0 | 0M1 | 2000 |
| | RDE5C2A120J0M1H03A | COG | 100 | 12pF | ±5% | 4.0 | 3.5 | 6.0 | 5.0 | 2.5 | 16.0 | 0M1 | 2000 |
| | RDE5C2A150J0M1H03A | COG | 100 | 15pF | ±5% | 4.0 | 3.5 | 6.0 | 5.0 | 2.5 | 16.0 | 0M1 | 2000 |
| | RDE5C2A180J0M1H03A | COG | 100 | 18pF | ±5% | 4.0 | 3.5 | 6.0 | 5.0 | 2.5 | 16.0 | 0M1 | 2000 |
| | RDE5C2A220J0M1H03A | COG | 100 | 22pF | ±5% | 4.0 | 3.5 | 6.0 | 5.0 | 2.5 | 16.0 | 0M1 | 2000 |
| | RDE5C2A270J0M1H03A | COG | 100 | 27pF | ±5% | 4.0 | 3.5 | 6.0 | 5.0 | 2.5 | 16.0 | 0M1 | 2000 |
| | RDE5C2A330J0M1H03A | COG | 100 | 33pF | ±5% | 4.0 | 3.5 | 6.0 | 5.0 | 2.5 | 16.0 | 0M1 | 2000 |
| | RDE5C2A390J0M1H03A | COG | 100 | 39pF | ±5% | 4.0 | 3.5 | 6.0 | 5.0 | 2.5 | 16.0 | 0M1 | 2000 |
| | RDE5C2A470J0M1H03A | COG | 100 | 47pF | ±5% | 4.0 | 3.5 | 6.0 | 5.0 | 2.5 | 16.0 | 0M1 | 2000 |
| | RDE5C2A560J0M1H03A | COG | 100 | 56pF | ±5% | 4.0 | 3.5 | 6.0 | 5.0 | 2.5 | 16.0 | 0M1 | 2000 |
| | RDE5C2A680J0M1H03A | COG | 100 | 68pF | ±5% | 4.0 | 3.5 | 6.0 | 5.0 | 2.5 | 16.0 | 0M1 | 2000 |
| | RDE5C2A820J0M1H03A | COG | 100 | 82pF | ±5% | 4.0 | 3.5 | 6.0 | 5.0 | 2.5 | 16.0 | 0M1 | 2000 |
| | RDE5C2A101J0M1H03A | COG | 100 | 100pF | ±5% | 4.0 | 3.5 | 6.0 | 5.0 | 2.5 | 16.0 | 0M1 | 2000 |
| | RDE5C2A121J0M1H03A | COG | 100 | 120pF | ±5% | 4.0 | 3.5 | 6.0 | 5.0 | 2.5 | 16.0 | 0M1 | 2000 |
| | RDE5C2A151J0M1H03A | COG | 100 | 150pF | ±5% | 4.0 | 3.5 | 6.0 | 5.0 | 2.5 | 16.0 | 0M1 | 2000 |
| | RDE5C2A181J0M1H03A | COG | 100 | 180pF | ±5% | 4.0 | 3.5 | 6.0 | 5.0 | 2.5 | 16.0 | 0M1 | 2000 |
| | RDE5C2A221J0M1H03A | COG | 100 | 220pF | ±5% | 4.0 | 3.5 | 6.0 | 5.0 | 2.5 | 16.0 | 0M1 | 2000 |
| | RDE5C2A271J0M1H03A | COG | 100 | 270pF | ±5% | 4.0 | 3.5 | 6.0 | 5.0 | 2.5 | 16.0 | 0M1 | 2000 |
| | RDE5C2A331J0M1H03A | COG | 100 | 330pF | ±5% | 4.0 | 3.5 | 6.0 | 5.0 | 2.5 | 16.0 | 0M1 | 2000 |
| | RDE5C2A391J0M1H03A | COG | 100 | 390pF | ±5% | 4.0 | 3.5 | 6.0 | 5.0 | 2.5 | 16.0 | 0M1 | 2000 |
| | RDE5C2A471J0M1H03A | COG | 100 | 470pF | ±5% | 4.0 | 3.5 | 6.0 | 5.0 | 2.5 | 16.0 | 0M1 | 2000 |
| | RDE5C2A561J0M1H03A | COG | 100 | 560pF | ±5% | 4.0 | 3.5 | 6.0 | 5.0 | 2.5 | 16.0 | 0M1 | 2000 |
| | RDE5C2A681J0M1H03A | COG | 100 | 680pF | ±5% | 4.0 | 3.5 | 6.0 | 5.0 | 2.5 | 16.0 | 0M1 | 2000 |
| | RDE5C2A821J0M1H03A | COG | 100 | 820pF | ±5% | 4.0 | 3.5 | 6.0 | 5.0 | 2.5 | 16.0 | 0M1 | 2000 |
| | RDE5C2A102J0M1H03A | COG | 100 | 1000pF | ±5% | 4.0 | 3.5 | 6.0 | 5.0 | 2.5 | 16.0 | 0M1 | 2000 |

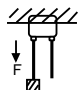
• Inside Crimp Taping
(Lead Style: M*)



Unit : mm

| Customer Part Number | Murata Part Number | T.C. | DC Rated Volt. (V) | Cap. | Cap. Tol. | Dimension (mm) | | | | | | Dimension (LxW) Lead Style | Pack qty. (pcs) |
|----------------------|--------------------|------|--------------------|---------|-----------|----------------|-----|-----|-----|------|------|----------------------------|-----------------|
| | | | | | | L | W | W1 | F | T | H/H0 | | |
| | RDE5C2A122J0M1H03A | C0G | 100 | 1200pF | ±5% | 4.0 | 3.5 | 6.0 | 5.0 | 2.5 | 16.0 | 0M1 | 2000 |
| | RDE5C2A152J0M1H03A | C0G | 100 | 1500pF | ±5% | 4.0 | 3.5 | 6.0 | 5.0 | 2.5 | 16.0 | 0M1 | 2000 |
| | RDE5C2A182J1M1H03A | C0G | 100 | 1800pF | ±5% | 4.5 | 3.5 | 5.0 | 5.0 | 3.15 | 16.0 | 1M1 | 2000 |
| | RDE5C2A222J1M1H03A | C0G | 100 | 2200pF | ±5% | 4.5 | 3.5 | 5.0 | 5.0 | 3.15 | 16.0 | 1M1 | 2000 |
| | RDE5C2A272J1M1H03A | C0G | 100 | 2700pF | ±5% | 4.5 | 3.5 | 5.0 | 5.0 | 3.15 | 16.0 | 1M1 | 2000 |
| | RDE5C2A332J1M1H03A | C0G | 100 | 3300pF | ±5% | 4.5 | 3.5 | 5.0 | 5.0 | 3.15 | 16.0 | 1M1 | 2000 |
| | RDE5C2A392J2M1H03A | C0G | 100 | 3900pF | ±5% | 5.5 | 4.0 | 6.0 | 5.0 | 3.15 | 16.0 | 2M1 | 2000 |
| | RDE5C2A472J2M1H03A | C0G | 100 | 4700pF | ±5% | 5.5 | 4.0 | 6.0 | 5.0 | 3.15 | 16.0 | 2M1 | 2000 |
| | RDE5C2A562J2M1H03A | C0G | 100 | 5600pF | ±5% | 5.5 | 4.0 | 6.0 | 5.0 | 3.15 | 16.0 | 2M1 | 2000 |
| | RDE5C2A682J2M1H03A | C0G | 100 | 6800pF | ±5% | 5.5 | 4.0 | 6.0 | 5.0 | 3.15 | 16.0 | 2M1 | 2000 |
| | RDE5C2A822J2M1H03A | C0G | 100 | 8200pF | ±5% | 5.5 | 4.0 | 6.0 | 5.0 | 3.15 | 16.0 | 2M1 | 2000 |
| | RDE5C2A103J2M1H03A | C0G | 100 | 10000pF | ±5% | 5.5 | 4.0 | 6.0 | 5.0 | 3.15 | 16.0 | 2M1 | 2000 |
| | RDE5C2A123J2M1H03A | C0G | 100 | 12000pF | ±5% | 5.5 | 4.0 | 6.0 | 5.0 | 3.15 | 16.0 | 2M1 | 2000 |
| | RDE5C2A153J2M1H03A | C0G | 100 | 15000pF | ±5% | 5.5 | 4.0 | 6.0 | 5.0 | 3.15 | 16.0 | 2M1 | 2000 |
| | RDE5C2A183J2M1H03A | C0G | 100 | 18000pF | ±5% | 5.5 | 4.0 | 6.0 | 5.0 | 3.15 | 16.0 | 2M1 | 2000 |
| | RDE5C2A223J2M1H03A | C0G | 100 | 22000pF | ±5% | 5.5 | 4.0 | 6.0 | 5.0 | 3.15 | 16.0 | 2M1 | 2000 |

Reference only

| 5.Specification | | | | | | | | | | | | | | | | |
|------------------------|---|--------------------------------|--|---|--------------|-----------------|---------|------------------------|-----------------------|---------------------|---------------------|-----------------------|--------------------------------|-------------|---|------------|
| No. | Test Item | | Specification | Test Method (Ref. Standard:JIS C 5101(all parts), IEC60384(all parts)) | | | | | | | | | | | | |
| 1 | Appearance | | No defects or abnormalities. | Visual inspection. | | | | | | | | | | | | |
| 2 | Dimension and Marking | | Within the specified dimensions and Marking | Visual inspection, Using Caliper. | | | | | | | | | | | | |
| 3 | Dielectric Strength | Between Terminals | No defects or abnormalities. | The capacitor should not be damaged when DC voltage of 300% of the rated voltage is applied between the terminations for 1 to 5 seconds. (Charge/Discharge current $\leq 50\text{mA}$.) | | | | | | | | | | | | |
| | | Terminal To External Resin | No defects or abnormalities. | The capacitor is placed in a container with metal balls of 1mm diameter so that each terminal, short-circuit, is kept approximately 2mm from the balls, and 250% of the rated DC voltage is impressed for 1 to 5 seconds between capacitor terminals and metal balls. (Charge/Discharge current $\leq 50\text{mA}$.) | | | | | | | | | | | | |
| 4 | Insulation Resistance (I.R.) | Between Terminals | 10,000M Ω or 500M Ω · μF min. (Whichever is smaller) | The insulation resistance should be measured with a DC voltage not exceeding the rated voltage at normal temperature and humidity and within 2 minutes of charging. (Charge/Discharge current $\leq 50\text{mA}$.) | | | | | | | | | | | | |
| 5 | Capacitance | | Within the specified tolerance. | The capacitance, Q should be measured at 25°C at the frequency and voltage shown in the table. | | | | | | | | | | | | |
| 6 | Q | | $30\text{pF} \leq C : Q \geq 1,000$ $30\text{pF} > C : Q \geq 400+20C$ C : Nominal Capacitance (pF) | | | | | | | | | | | | | |
| | | | | <table border="1"> <thead> <tr> <th>Nominal Cap.</th> <th>Frequency</th> <th>Voltage</th> </tr> </thead> <tbody> <tr> <td>$C \leq 1000\text{pF}$</td> <td>$1 \pm 0.1\text{MHz}$</td> <td>AC0.5 to 5V(r.m.s.)</td> </tr> <tr> <td>$C > 1000\text{pF}$</td> <td>$1 \pm 0.1\text{kHz}$</td> <td>AC1$\pm 0.2\text{V}$(r.m.s.)</td> </tr> </tbody> </table> | Nominal Cap. | Frequency | Voltage | $C \leq 1000\text{pF}$ | $1 \pm 0.1\text{MHz}$ | AC0.5 to 5V(r.m.s.) | $C > 1000\text{pF}$ | $1 \pm 0.1\text{kHz}$ | AC1 $\pm 0.2\text{V}$ (r.m.s.) | | | |
| Nominal Cap. | Frequency | Voltage | | | | | | | | | | | | | | |
| $C \leq 1000\text{pF}$ | $1 \pm 0.1\text{MHz}$ | AC0.5 to 5V(r.m.s.) | | | | | | | | | | | | | | |
| $C > 1000\text{pF}$ | $1 \pm 0.1\text{kHz}$ | AC1 $\pm 0.2\text{V}$ (r.m.s.) | | | | | | | | | | | | | | |
| 7 | Capacitance Temperature Characteristics | | Within the specified Tolerance. 25°C to 125°C : 0 ± 30 ppm/°C -55°C to 25°C : 0+30/-72 ppm/°C | The capacitance change should be measured after 5 minutes at each specified temperature stage. The temperature coefficient is determined using the capacitance measured in step 3 as a reference. When cycling the temperature sequentially from step 1 through 5 (-55°C to 125°C) the capacitance should be within the specified tolerance for the temperature coefficient and capacitance change as Table A. The capacitance drift is calculated by dividing the differences between the maximum and minimum measured values in the step 1, 3 and 5 by the capacitance value in step 3. | | | | | | | | | | | | |
| | | | | <table border="1"> <thead> <tr> <th>Step</th> <th>Temperature(°C)</th> </tr> </thead> <tbody> <tr> <td>1</td> <td>25± 2</td> </tr> <tr> <td>2</td> <td>-55± 3</td> </tr> <tr> <td>3</td> <td>25± 2</td> </tr> <tr> <td>4</td> <td>125± 3</td> </tr> <tr> <td>5</td> <td>25± 2</td> </tr> </tbody> </table> | Step | Temperature(°C) | 1 | 25 ± 2 | 2 | -55 ± 3 | 3 | 25 ± 2 | 4 | 125 ± 3 | 5 | 25 ± 2 |
| Step | Temperature(°C) | | | | | | | | | | | | | | | |
| 1 | 25 ± 2 | | | | | | | | | | | | | | | |
| 2 | -55 ± 3 | | | | | | | | | | | | | | | |
| 3 | 25 ± 2 | | | | | | | | | | | | | | | |
| 4 | 125 ± 3 | | | | | | | | | | | | | | | |
| 5 | 25 ± 2 | | | | | | | | | | | | | | | |
| 8 | Terminal Strength | Tensile Strength | Termination not to be broken or loosened | As in the figure, fix the capacitor body, apply the force gradually to each lead in the radial direction of the capacitor until reaching 10N and then keep applied the force for 10 ± 1 seconds. | | | | | | | | | | | | |
| | | Bending Strength | Termination not to be broken or loosened | Each lead wire should be subjected to a force of 2.5N and then be bent 90° at the point of egress in one direction. Each wire is then returned to the original position and bent 90° in the opposite direction at the rate of one bend per 2 to 3 seconds. | | | | | | | | | | | | |
| | | | |  | | | | | | | | | | | | |
| 9 | Vibration Resistance | Appearance | No defects or abnormalities. | The capacitor should be subjected to a simple harmonic motion having a total amplitude of 1.5mm, the frequency being varied uniformly between the approximate limits of 10Hz and 55Hz. The frequency range, from 10Hz to 55Hz and return to 10Hz, shall be traversed in approximately 1 minute. This motion shall be applied for a period of 2 hours in each 3 mutually perpendicular directions (total of 6 hours). | | | | | | | | | | | | |
| | | Capacitance | Within the specified tolerance. | | | | | | | | | | | | | |
| | | Q | $30\text{pF} \leq C : Q \geq 1,000$ $30\text{pF} > C : Q \geq 400+20C$ C : Nominal Capacitance (pF) | | | | | | | | | | | | | |
| 10 | Solderability | | Solder is deposited on unintermittingly immersed portion in axial direction covering 3/4 or more in circumferential direction of lead wires. | The terminal of capacitor is dipped into a solution of rosin ethanol (25% rosin in weight proportion). Immerse in solder solution for 2 ± 0.5 seconds. In both cases the depth of dipping is up to about 1.5 to 2mm from the terminal body. Temp. of solder : 245 ± 5 °C (Sn-3.0Ag-0.5Cu) | | | | | | | | | | | | |

Reference only

| No. | Test Item | | Specification | Test Method (Ref. Standard:JIS C 5101(all parts), IEC60384(all parts)) | | | | | | | | | | | | | | | |
|-------------|--|---|--|--|------|---|---|---|---|------------|-------------------------|------------|-------------------------|------------|-------------|------|--------|------|--------|
| 11-1 | Resistance to Soldering Heat (Non-Preheat) | Appearance | No defects or abnormalities. | The lead wires should be immersed in the melted solder 1.5 to 2.0mm from the root of terminal at 260±5°C for 10±1 seconds. • Post-treatment Capacitor should be stored for 24±2 hours at *room condition. | | | | | | | | | | | | | | | |
| | | Capacitance Change | Within ±2.5% or ±0.25pF (Whichever is larger) | | | | | | | | | | | | | | | | |
| | | Dielectric Strength (Between terminals) | No defects | | | | | | | | | | | | | | | | |
| | | | | | | | | | | | | | | | | | | | |
| 11-2 | Resistance to Soldering Heat (On-Preheat) | Appearance | No defects or abnormalities. | First the capacitor should be stored at 120+0/-5°C for 60+0/-5 seconds. Then, the lead wires should be immersed in the melted solder 1.5 to 2.0mm from the root of terminal at 260±5°C for 7.5+0/-1 seconds. • Post-treatment Capacitor should be stored for 24±2 hours at *room condition. | | | | | | | | | | | | | | | |
| | | Capacitance Change | Within ±2.5% or ±0.25pF (Whichever is larger) | | | | | | | | | | | | | | | | |
| | | Dielectric Strength (Between terminals) | No defects | | | | | | | | | | | | | | | | |
| | | | | | | | | | | | | | | | | | | | |
| 11-3 | Resistance to Soldering Heat (soldering iron method) | Appearance | No defects or abnormalities. | Test condition Temperature of iron-tip : 350±10°C Soldering time : 3.5±0.5 seconds Soldering position Straight Lead : 1.5 to 2.0mm from the root of terminal. Crimp Lead : 1.5 to 2.0mm from the end of lead bend. • Post-treatment Capacitor should be stored for 24±2 hours at *room condition. | | | | | | | | | | | | | | | |
| | | Capacitance Change | Within ±2.5% or ±0.25pF (Whichever is larger) | | | | | | | | | | | | | | | | |
| | | Dielectric Strength (Between terminals) | No defects | | | | | | | | | | | | | | | | |
| | | | | | | | | | | | | | | | | | | | |
| 12 | Temperature Cycle | Appearance | No defects or abnormalities. | Repeat 5 cycles according to the 4 heat treatments listed in the following table. Set at *room condition for 24±2 hours, then measure. | | | | | | | | | | | | | | | |
| | | Capacitance Change | Within ±5% or ±0.5pF (Whichever is larger) | | | | | | | | | | | | | | | | |
| | | Q | 30pF ≤ C : Q ≥ 350 10pF ≤ C < 30pF : Q ≥ 275+5C/2 10pF > C : Q ≥ 200+10C C : Nominal Capacitance (pF) | | | | | | | | | | | | | | | | |
| | | I.R. | 1,000MΩ or 50MΩ·μF min. (Whichever is smaller) | | | | | | | | | | | | | | | | |
| | | Dielectric Strength (Between Terminals) | No defects or abnormalities. | | | | | | | | | | | | | | | | |
| | | | | | | | | | | | | | | | | | | | |
| | | <table border="1"> <thead> <tr> <th>Step</th> <th>1</th> <th>2</th> <th>3</th> <th>4</th> </tr> </thead> <tbody> <tr> <td>Temp. (°C)</td> <td>Min. Operating Temp. ±3</td> <td>Room Temp.</td> <td>Max. Operating Temp. ±3</td> <td>Room Temp.</td> </tr> <tr> <td>Time (min.)</td> <td>30±3</td> <td>3 max.</td> <td>30±3</td> <td>3 max.</td> </tr> </tbody> </table> | | | Step | 1 | 2 | 3 | 4 | Temp. (°C) | Min. Operating Temp. ±3 | Room Temp. | Max. Operating Temp. ±3 | Room Temp. | Time (min.) | 30±3 | 3 max. | 30±3 | 3 max. |
| Step | 1 | 2 | 3 | 4 | | | | | | | | | | | | | | | |
| Temp. (°C) | Min. Operating Temp. ±3 | Room Temp. | Max. Operating Temp. ±3 | Room Temp. | | | | | | | | | | | | | | | |
| Time (min.) | 30±3 | 3 max. | 30±3 | 3 max. | | | | | | | | | | | | | | | |
| 13 | Humidity (Steady State) | Appearance | No defects or abnormalities. | Set the capacitor at 40±2°C and relative humidity 90 to 95% for 500+24/-0 hours. Remove and set for 24±2 hours at *room condition, then measure. | | | | | | | | | | | | | | | |
| | | Capacitance Change | Within ±5% or ±0.5pF (Whichever is larger) | | | | | | | | | | | | | | | | |
| | | Q | 30pF ≤ C : Q ≥ 350 10pF ≤ C < 30pF : Q ≥ 275+5C/2 10pF > C : Q ≥ 200+10C C : Nominal Capacitance (pF) | | | | | | | | | | | | | | | | |
| | | I.R. | 1,000MΩ or 50MΩ·μF min. (Whichever is smaller) | | | | | | | | | | | | | | | | |
| | | | | | | | | | | | | | | | | | | | |
| 14 | Humidity Load | Appearance | No defects or abnormalities. | Apply the rated voltage at 40±2°C and relative humidity of 90 to 95% for 500+24/-0 hours. Remove and set for 24±2 hours at *room condition, then measure. (Charge/Discharge current ≤ 50mA) | | | | | | | | | | | | | | | |
| | | Capacitance Change | Within ±5% or ± 0.5pF (Whichever is larger) | | | | | | | | | | | | | | | | |
| | | Q | 30pF ≤ C : Q ≥ 200 30pF > C : Q ≥ 100+10C/3 C : Nominal Capacitance(pF) | | | | | | | | | | | | | | | | |
| | | I.R. | 500MΩ or 25MΩ·μF min. (Whichever is smaller) | | | | | | | | | | | | | | | | |
| | | | | | | | | | | | | | | | | | | | |

* "room condition" Temperature : 15 to 35°C, Relative humidity : 45 to 75%, Atmosphere pressure : 86 to 106kPa

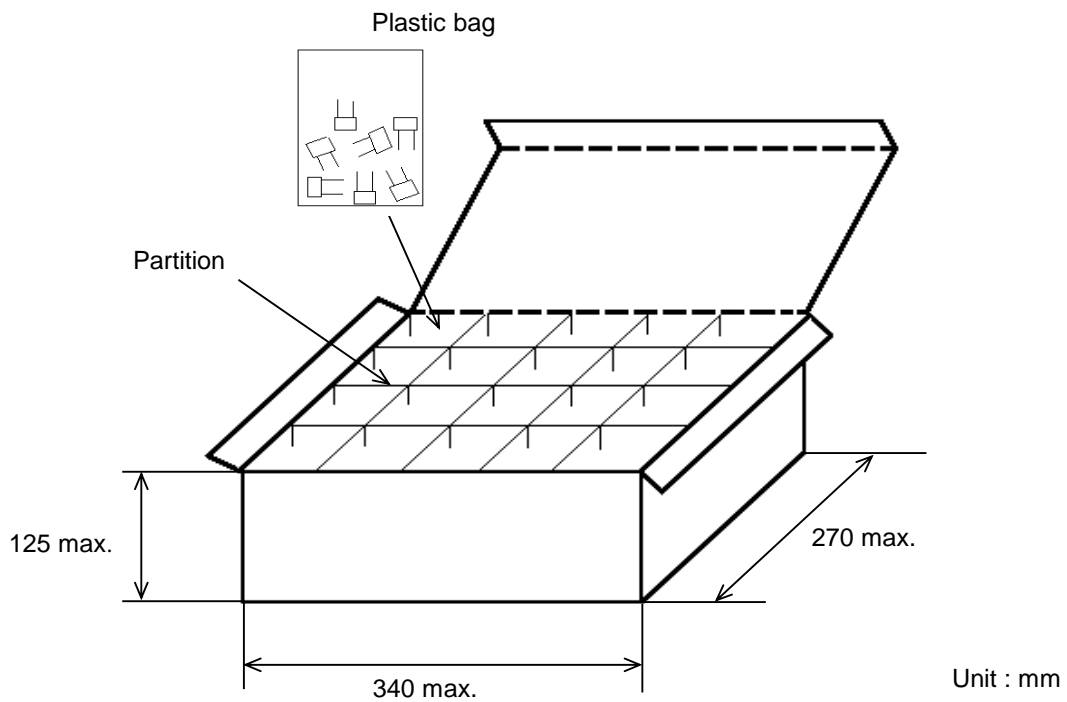
Reference only

| No. | Test Item | Specification | Test Method (Ref. Standard:JIS C 5101(all parts), IEC60384(all parts)) |
|--|-----------------------|--------------------|---|
| 15 | High Temperature Load | Appearance | No defects or abnormalities. |
| | | Capacitance Change | Within $\pm 3\%$ or $\pm 0.3\text{pF}$ (Whichever is larger) |
| | | Q | $30\text{pF} \leq C : Q \geq 350$ $10\text{pF} \leq C < 30\text{pF} : Q \geq 275+5C/2$ $10\text{pF} > C : Q \geq 200+10C$ C : Nominal Capacitance (pF) |
| | | I.R. | $1,000\text{M}\Omega$ or $50 \text{M}\Omega \cdot \mu\text{F}$ min. (Whichever is smaller) |
| | | Marking | Legible |
| | | | Apply 150% of the rated voltage at the maximum operating temperature $\pm 3^\circ\text{C}$ for 1000+48/-0 hours. Remove and set for 24 \pm 2 hours at *room condition, then measure. (Charge/Discharge current $\leq 50\text{mA}$) |
| 16 | Solvent Resistance | Appearance | No defects or abnormalities. |
| | | Marking | Legible |
| | | | The capacitor should be fully immersed, unagitated, in reagent at 20 to 25°C for 30 \pm 5 seconds and then remove gently. Marking on the surface of the capacitor shall immediately be visually examined. Regent : Isopropyl alcohol |
| * "room condition" Temperature : 15 to 35°C, Relative humidity : 45 to 75%, Atmosphere pressure : 86 to 106kPa | | | |

6. Packing specification

- Bulk type (Packing style code : B)

The size of packing case and packing way



The number of packing = ^{*1} Packing quantity × ^{*2} n

*1 : Please refer to [Part number list].

*2 : Standard n = 20 (bag)

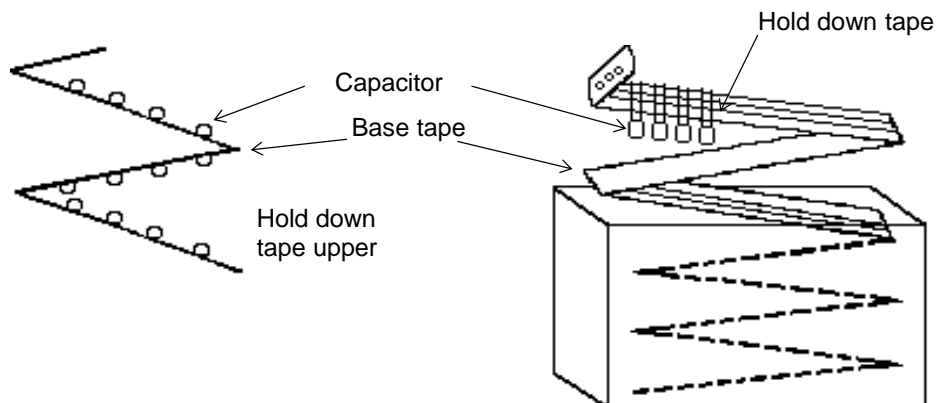
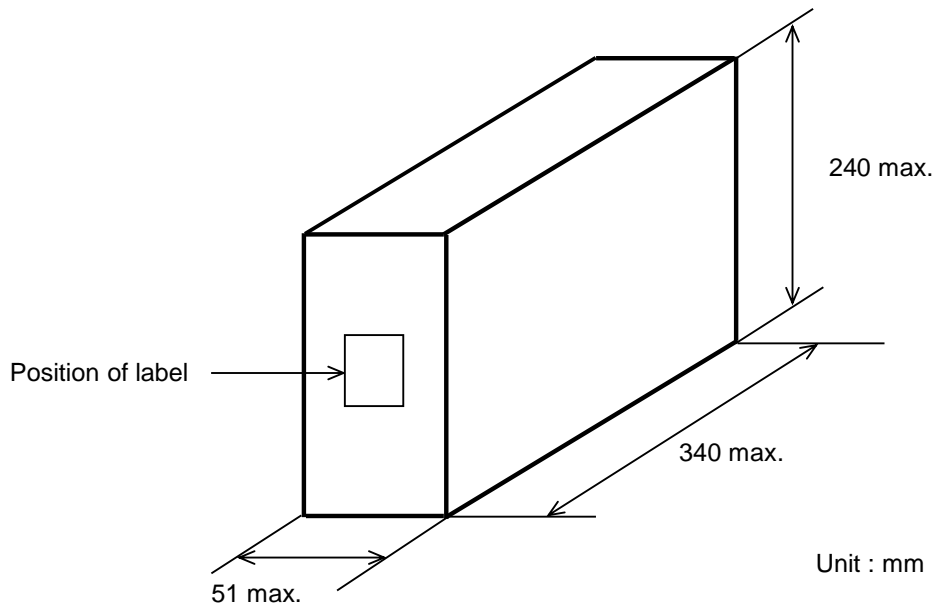
Note)

The outer package and the number of outer packing be changed by the order getting amount.

• Ammo pack taping type (Packing style code : A)

A crease is made every 25 pitches, and the tape with capacitors is packed zigzag into a case. When body of the capacitor is piled on other body under it.

The size of packing case and packing way

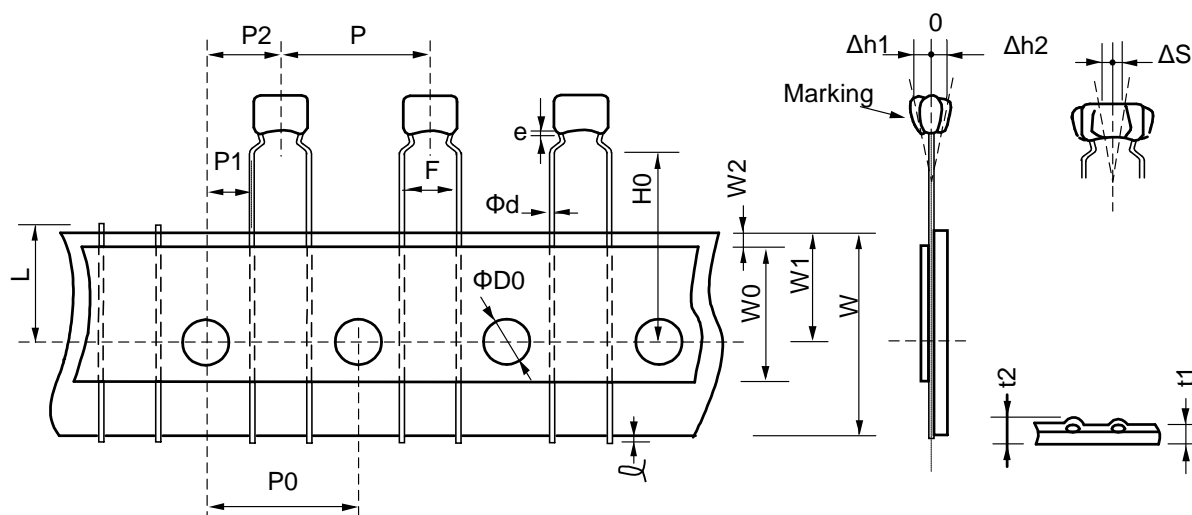


7. Taping specification

7-1. Dimension of capacitors on tape

Inside crimp taping type < Lead Style : M1 >

Pitch of component 12.7mm / Lead spacing 5.0mm

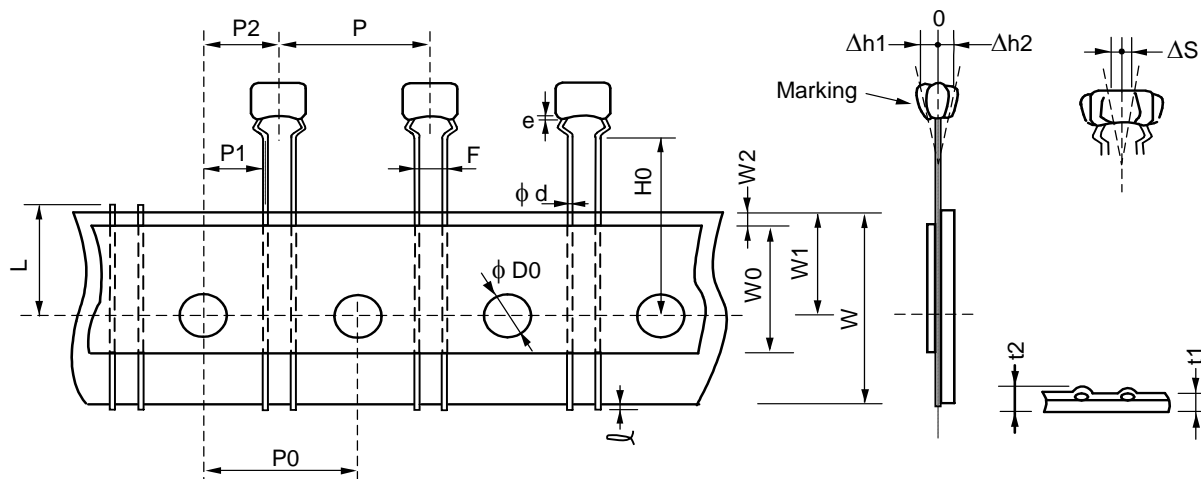


Unit : mm

| Item | Code | Dimensions | Remarks |
|--|------|-------------------------------|---------------------------------------|
| Pitch of component | P | 12.7+/-1.0 | |
| Pitch of sprocket hole | P0 | 12.7+/-0.2 | |
| Lead spacing | F | 5.0+0.6/-0.2 | |
| Length from hole center to component center | P2 | 6.35+/-1.3 | Deviation of progress direction |
| Length from hole center to lead | P1 | 3.85+/-0.7 | |
| Deviation along tape, left or right defect | ΔS | 0+/-2.0 | They include deviation by lead bend |
| Carrier tape width | W | 18.0+/-0.5 | |
| Position of sprocket hole | W1 | 9.0+0/-0.5 | Deviation of tape width direction |
| Lead distance between reference and bottom plane | H0 | 16.0+/-0.5 | |
| Protrusion length | ℓ | 0.5 max. | |
| Diameter of sprocket hole | ΦD0 | 4.0+/-0.1 | |
| Lead diameter | Φd | 0.5+/-0.05 | |
| Total tape thickness | t1 | 0.6+/-0.3 | They include hold down tape thickness |
| Total thickness of tape and lead wire | t2 | 1.5 max. | |
| Deviation across tape | Δh1 | 2.0 max. (Dimension code : W) | |
| | Δh2 | 1.0 max. (except as above) | |
| Portion to cut in case of defect | L | 11.0+0/-1.0 | |
| Hold down tape width | W0 | 9.5 min. | |
| Hold down tape position | W2 | 1.5+/-1.5 | |
| Coating extension on lead | e | Up to the end of crimp | |

Outside crimp taping type < Lead Style : S1 >

Pitch of component 12.7mm / Lead spacing 2.5mm

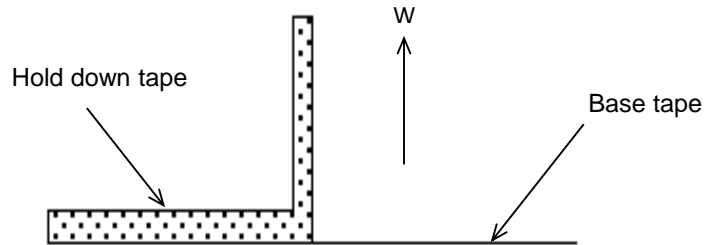


Unit : mm

| Item | Code | Dimensions | Remarks |
|--|------|------------------------|---------------------------------------|
| Pitch of component | P | 12.7+/-1.0 | |
| Pitch of sprocket hole | P0 | 12.7+/-0.2 | |
| Lead spacing | F | 2.5+0.4/-0.2 | |
| Length from hole center to component center | P2 | 6.35+/-1.3 | Deviation of progress direction |
| Length from hole center to lead | P1 | 5.1+/-0.7 | |
| Deviation along tape, left or right defect | ΔS | 0+/-2.0 | They include deviation by lead bend |
| Carrier tape width | W | 18.0+/-0.5 | |
| Position of sprocket hole | W1 | 9.0+0/-0.5 | Deviation of tape width direction |
| Lead distance between reference and bottom plane | H0 | 16.0+/-0.5 | |
| Protrusion length | ℓ | 0.5 max. | |
| Diameter of sprocket hole | ΦD0 | 4.0+/-0.1 | |
| Lead diameter | Φd | 0.5+/-0.05 | |
| Total tape thickness | t1 | 0.6+/-0.3 | They include hold down tape thickness |
| Total thickness of tape and lead wire | t2 | 1.5 max. | |
| Deviation across tape | Δh1 | 1.0 max. | |
| | Δh2 | | |
| Portion to cut in case of defect | L | 11.0+0/-1.0 | |
| Hold down tape width | W0 | 9.5 min. | |
| Hold down tape position | W2 | 1.5+/-1.5 | |
| Coating extension on lead | e | Up to the end of crimp | |

7-2. Splicing way of tape

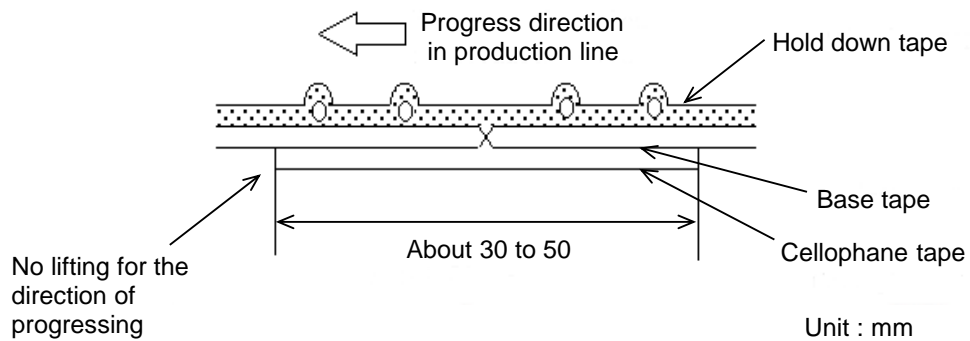
- 1) Adhesive force of tape is over 3N at test condition as below.



- 2) Splicing of tape

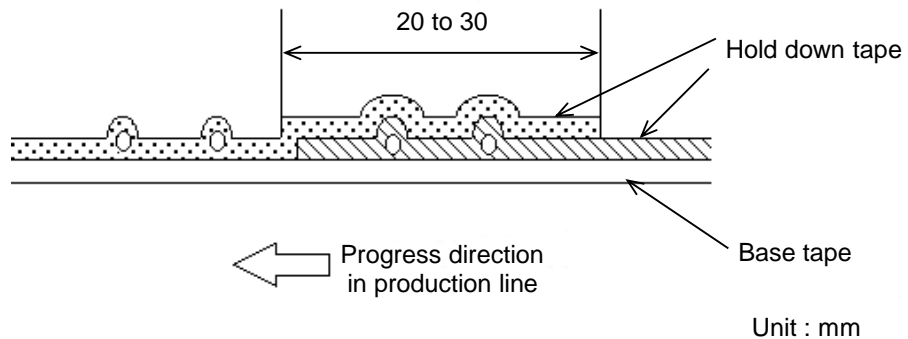
- a) When base tape is spliced

- Base tape shall be spliced by cellophane tape.
- (Total tape thickness shall be less than 1.05mm.)



- b) When hold down tape is spliced

- Hold down tape shall be spliced with overlapping.
- (Total tape thickness shall be less than 1.05mm.)



- c) When both tape are spliced

- Base tape and hold down tape shall be spliced with splicing tape.