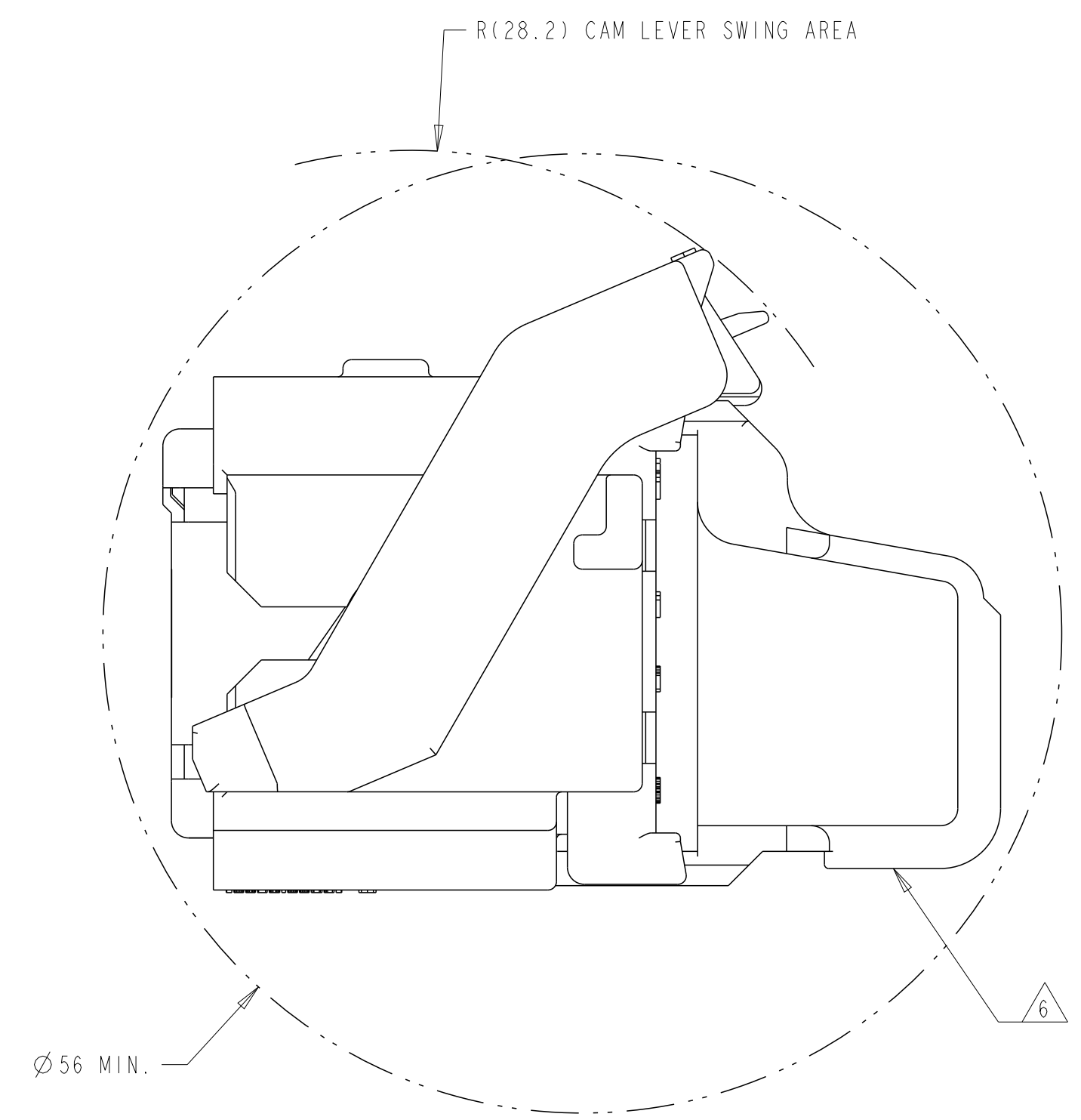
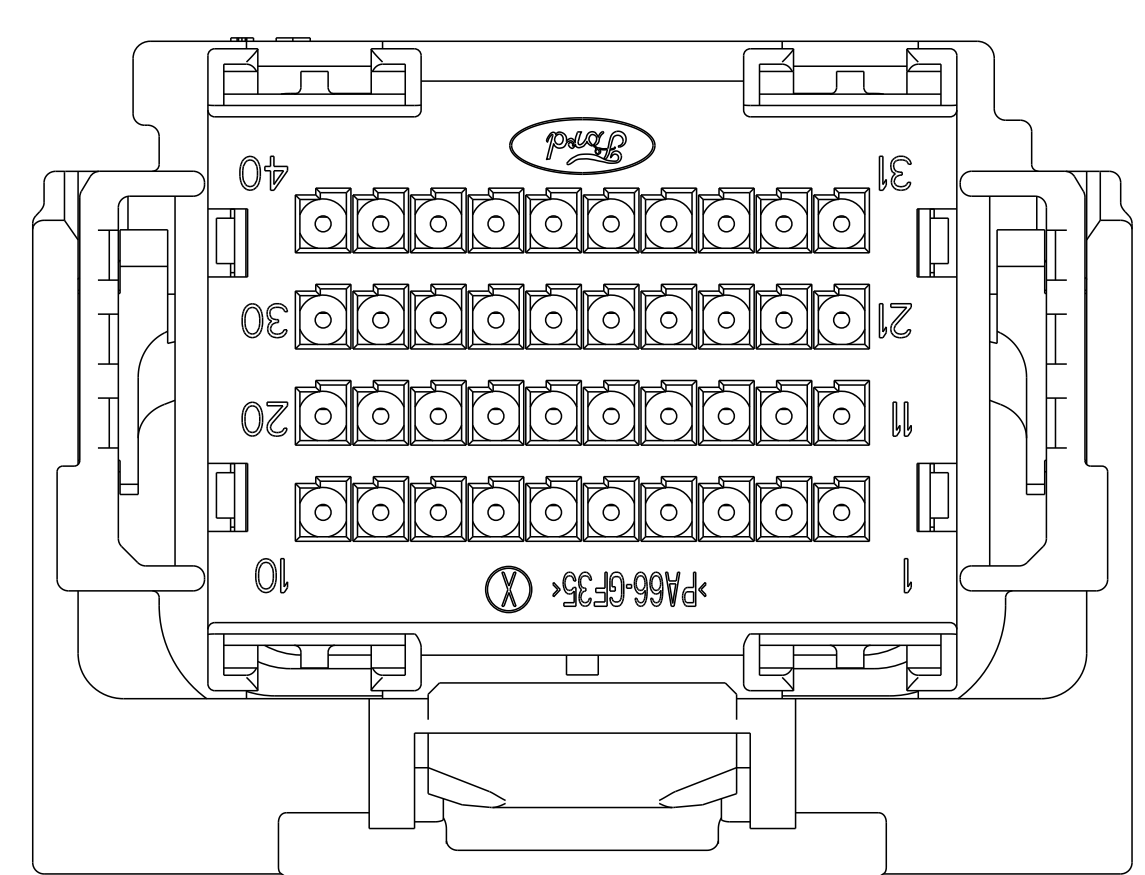
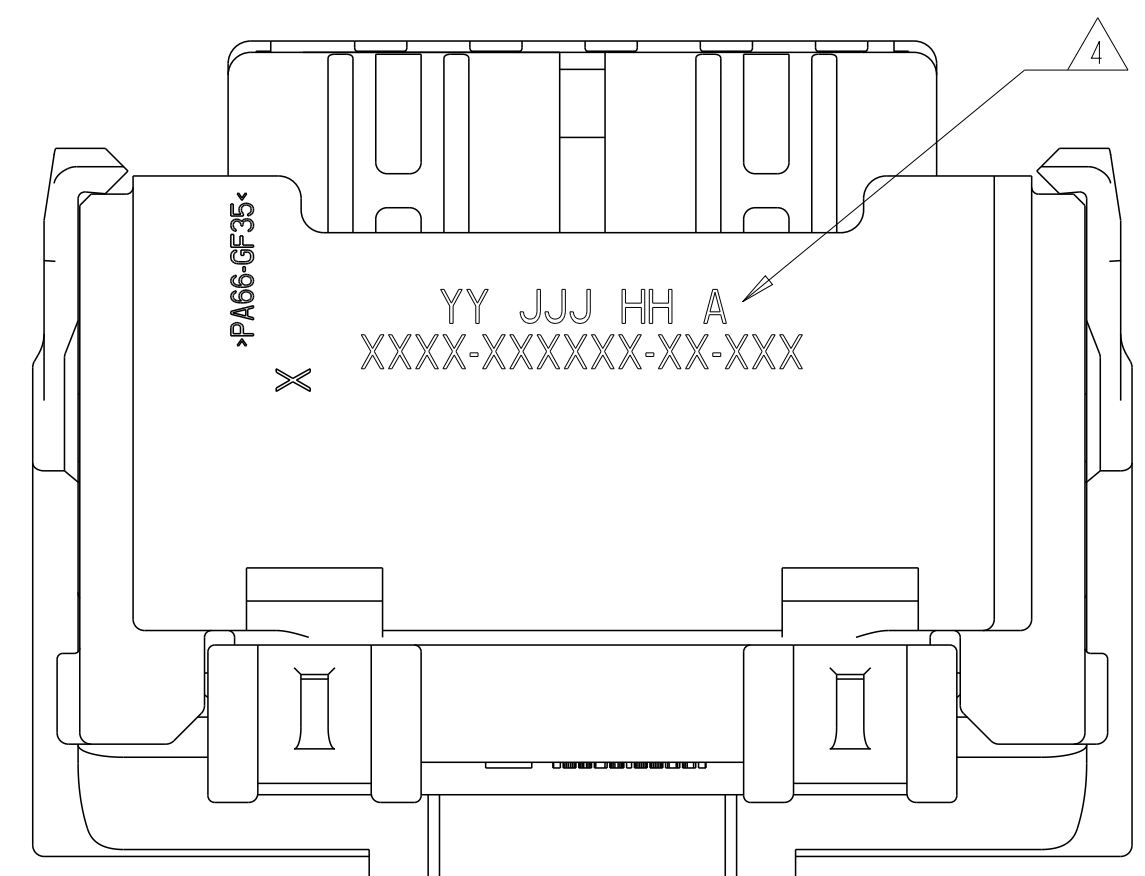
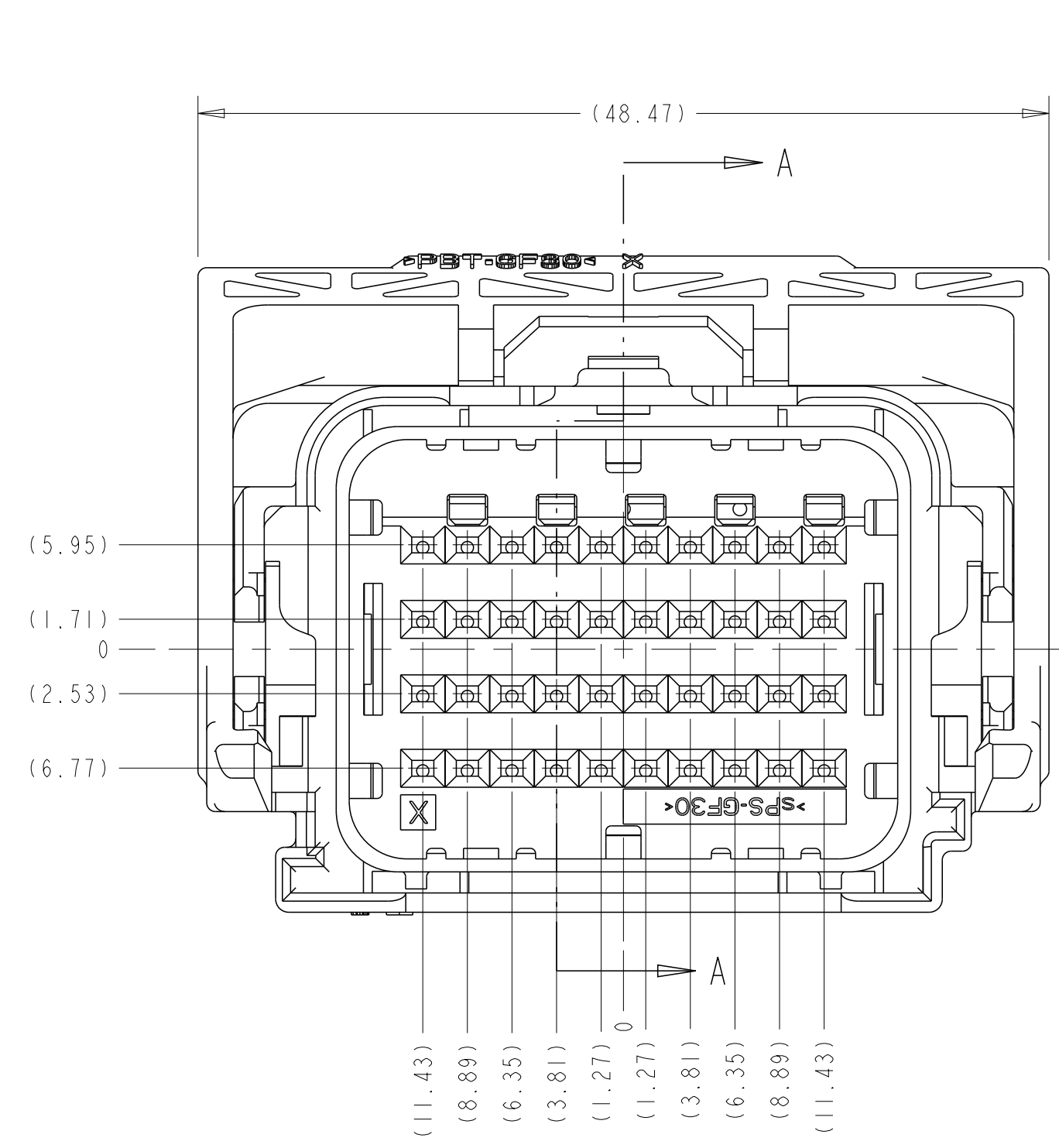
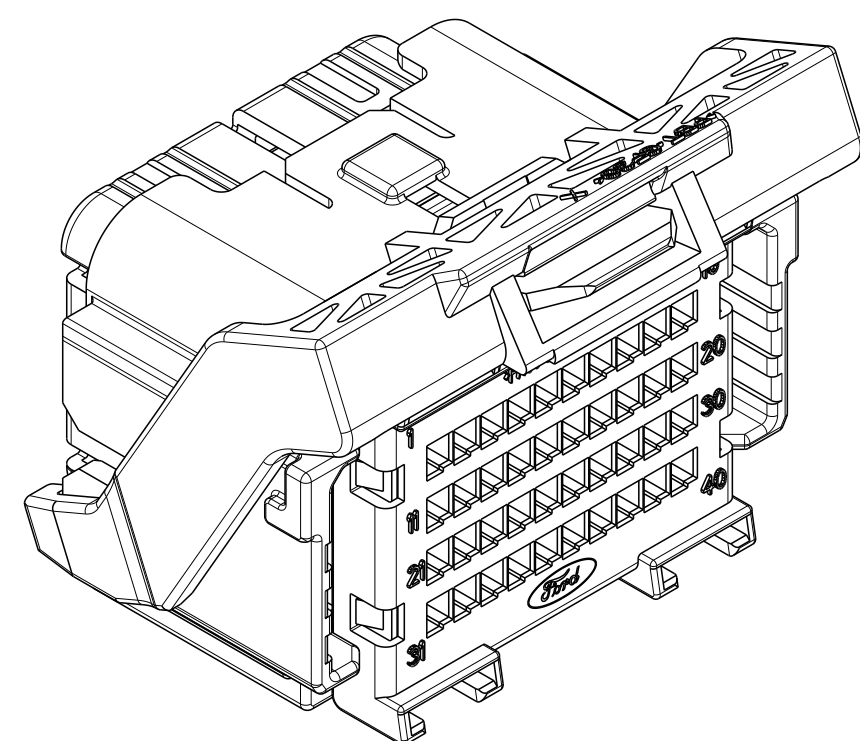


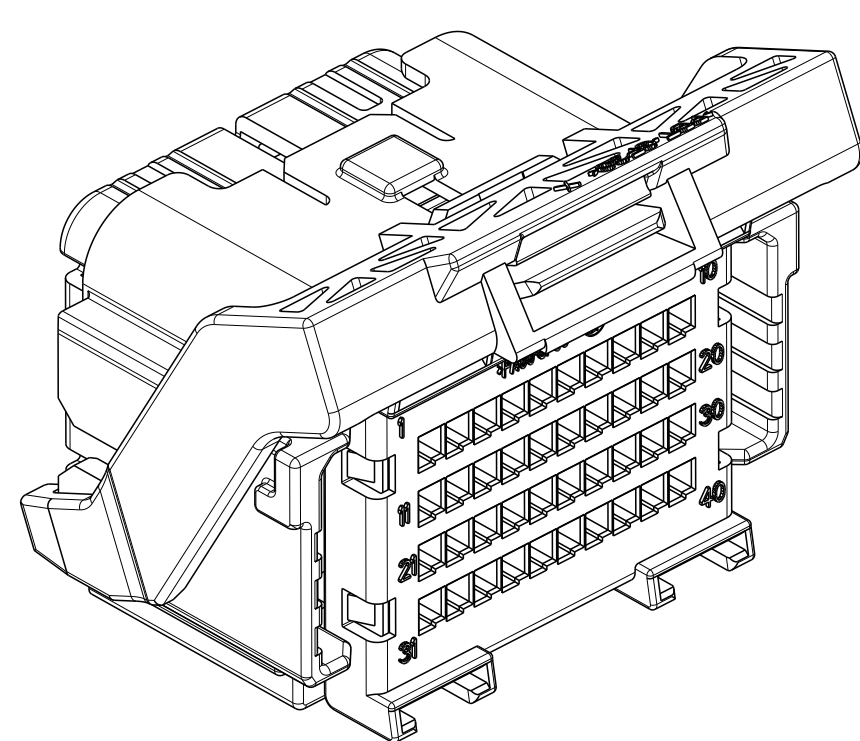
SECTION A-A  
 SHOWN WITH CAM LEVER  
 AND TPA IN THEIR  
 PRE-LOADED POSITIONS  
 (DELIVERY CONDITION)



MINIMUM FEED THROUGH CONDITION  
 WITH 1mm CLEARANCE ALL AROUND  
 SHOWN WITH OPTION WIRESHIELD  
 TPA IS IN IT'S LOADED POSITION  
 CAM LEVER IS IN IT'S PRE-LOADED POSITION



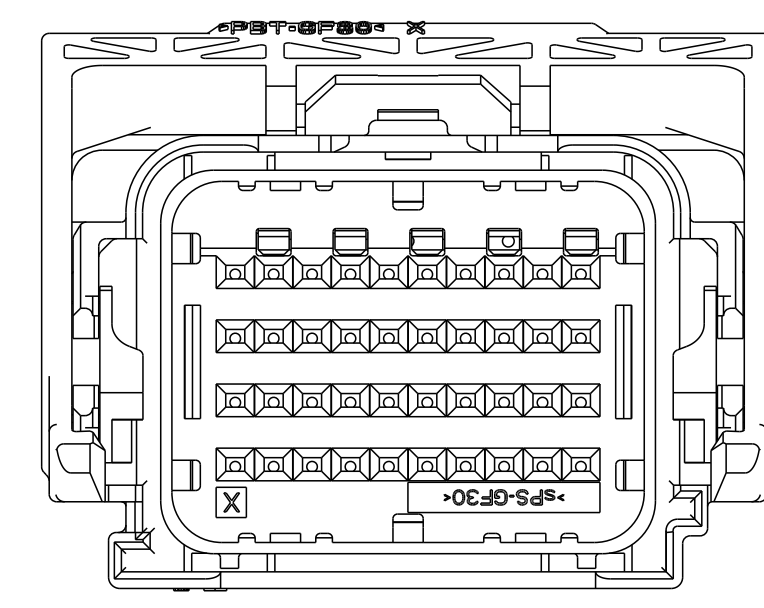
SCALE 2:1



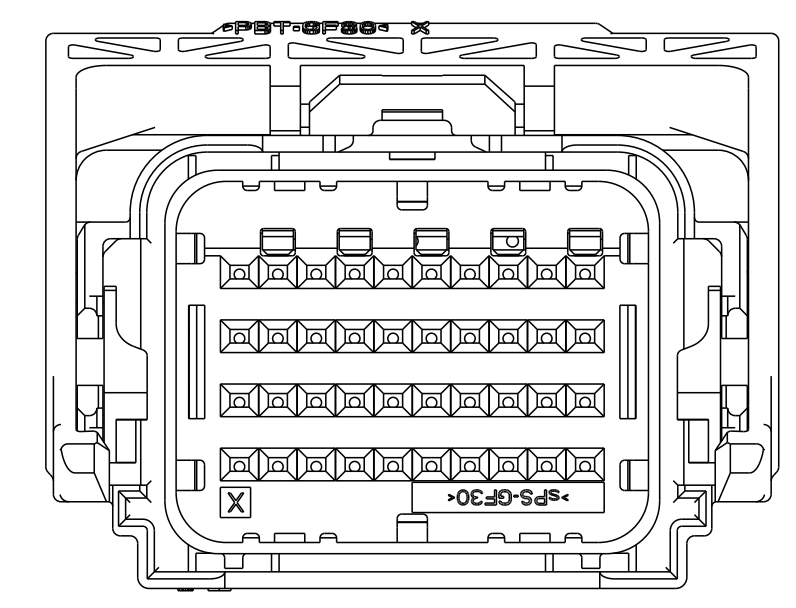
THIS VIEW SHOWS THE  
 OPTIONAL CAM LEVER

REVISIONS				
P	LTN	DESCRIPTION	DATE	OWN APVD
CJ		REVISED PER ECO-18-013531	30AUG2018	JMS WW
CK		REV PER ECO-19-007173	17MAY2019	RGV WW
CK1		REVISED PER ECO-20-012739	05OCT2020	AP WW
CK2		REV PER ECN-22-168671	18AUG2022	SMR WW

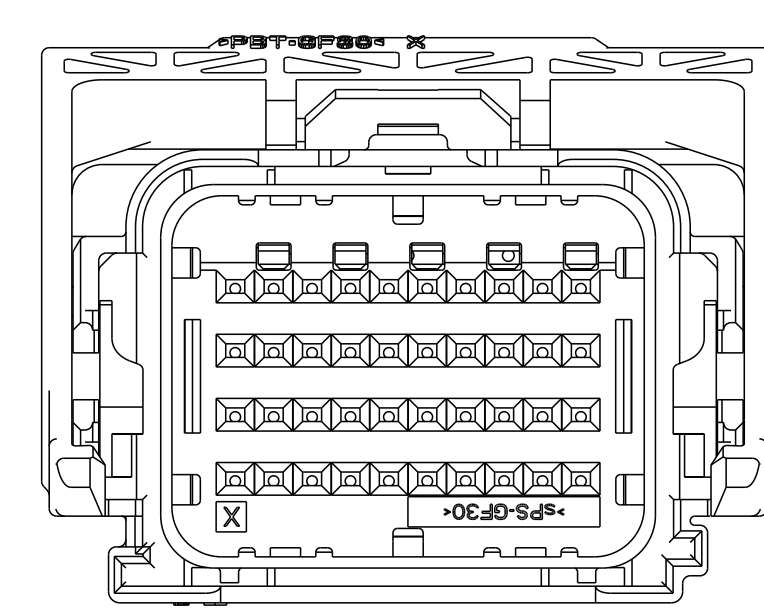
KEYING OPTIONS  
 SCALE 2:1



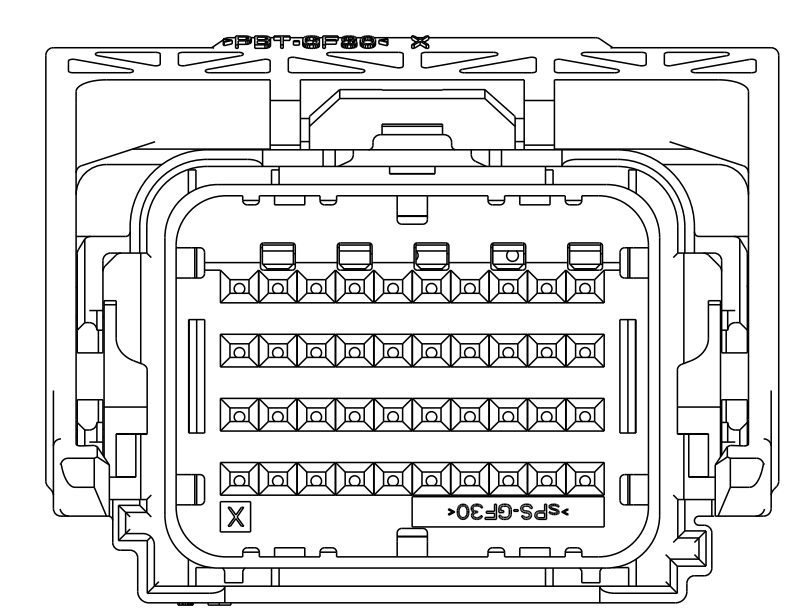
OPTION "G"



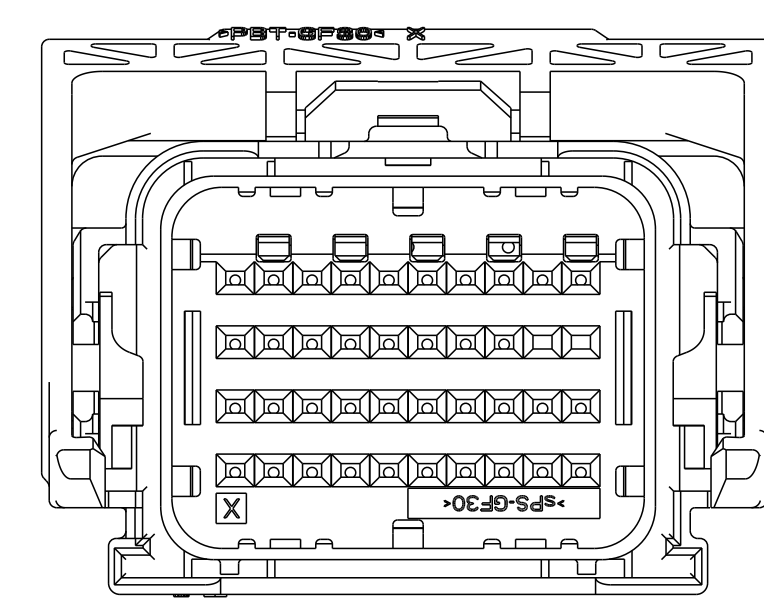
OPTION "H"



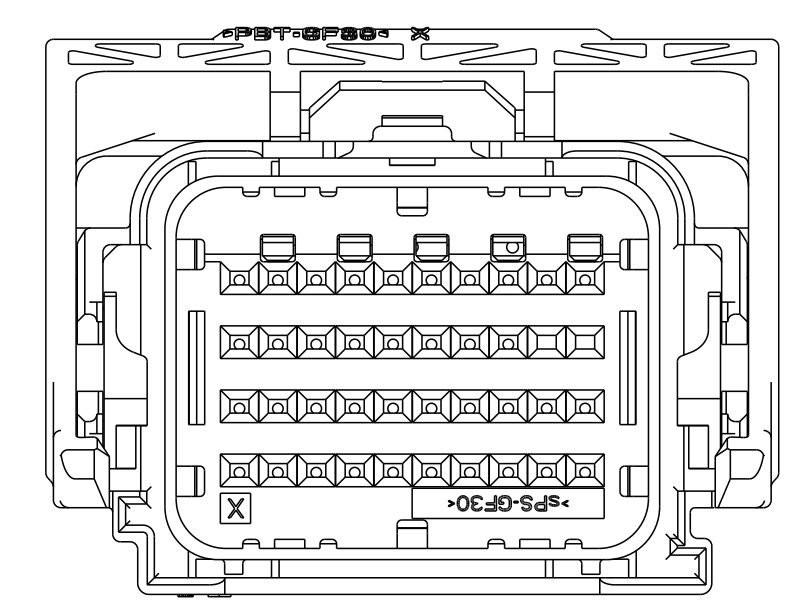
OPTION "J"



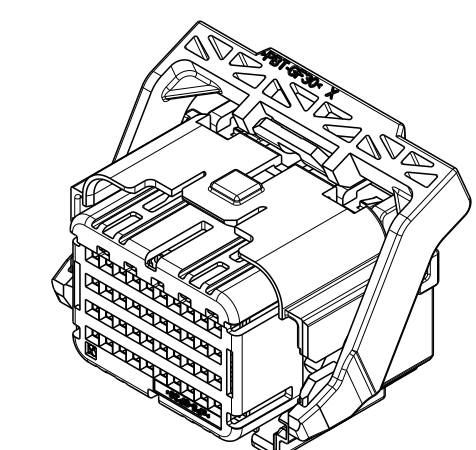
OPTION "K"



OPTION "L"



OPTION "M"



SCALE 1:1

KEYING OPTION "G" SHOWN  
 SEE SHEET 2 FOR BILL OF  
 MATERIAL AND PIN-OUT CHARTS

- APPLICABLE TERMINAL PART NUMBERS (SOLD SEPARATELY):  
 FOR TIN APPLICATIONS: 1393367 AND 1393366,  
 FOR GOLD APPLICATIONS: 1393365 AND 1393364,  
 FOR TERMINATION AND REELING OPTIONS  
 SEE DRAWINGS 1393367, 1393366, 1393365, AND 1393364.
- COMPATIBLE WIRE SIZES FOR MAT SEAL DESIGN 1.19 TO 2.06 O.D.  
 (22-18 AWG, 0.35-0.75 mm<sup>2</sup>)
- TPA AND CAM LEVER ARE SHIPPED IN THEIR PRE-LOADED POSITION.  
 ALL ASSEMBLIES ARE TO BE TRAY PACKAGED.
- CUSTOMER PART NUMBER AND TRACEABILITY CODE (YY = TWO DIGIT YEAR,  
 JJJ = JULIAN DAY, HH = TWO DIGIT MILITARY HOUR, A = ASSEMBLY PROCESS  
 USED) ARE PRINTED IN THIS LOCATION.
- PART ASSEMBLY WEIGHT WITHOUT TERMINALS AND WITH STANDARD PIN-OUT  
 CONFIGURATION IS 24.71 GRAMS.
- OPTIONAL WIRESHIELD P/N 8-1419157-8 (SOLD SEPARATELY). PLEASE CONTACT  
 YOUR TE SALES REPRESENTATIVE FOR AVAILABILITY AND PRICING.
- OBSOLETE PART.

THIS DRAWING IS A CONTROLLED DOCUMENT.		OWN M. FORLSKA 19APR2002	
DIMENSIONS: mm		CHK M. FORLSKA 19APR2002	
TOLERANCES UNLESS OTHERWISE SPECIFIED:		APVD A. VALASEK 19APR2002	NAME 40 WAY ARM, PLUG ASSEMBLY WITHOUT SHORTING BARS, CUSTOMER SPEC.
0 PLC ±		PRODUCT SPEC	
1 PLC ±0.3		APPLICATION SPEC	SIZE CAGE CODE DRAWING NO RESTRICTED TO A1 00779 C=8-1419157-7
2 PLC ±0.10		WEIGHT SEE NOTE 5	
3 PLC ±		CUSTOMER DRAWING	SCALE 3:1 SHEET 1 OF 5
4 PLC ±			REV CK2
ANGLES ±			
FINISH			





PIN-OUT CHART table with columns for terminal positions (1-40) and descriptions (KEY 'J', KEY 'H', KEY 'L', KEY 'G'). Includes assembly part numbers and keying options.

PIN-OUT CHART table for part 2098034-1 with columns for terminal positions (1-40) and descriptions (KEY 'H', KEY 'L', KEY 'J'). Includes assembly part numbers and keying options.

TERMINAL HOLE POSITION. CAVITIES WITH A NUMERIC SYMBOL INDICATE CLOSED TERMINAL HOLE POSITIONS. BLANK CAVITIES INDICATE OPEN TERMINAL HOLE POSITIONS.

Technical drawing details including dimensions, tolerances, material, weight, and customer drawing information. Includes a drawing of a terminal hole and a note about cavities.



