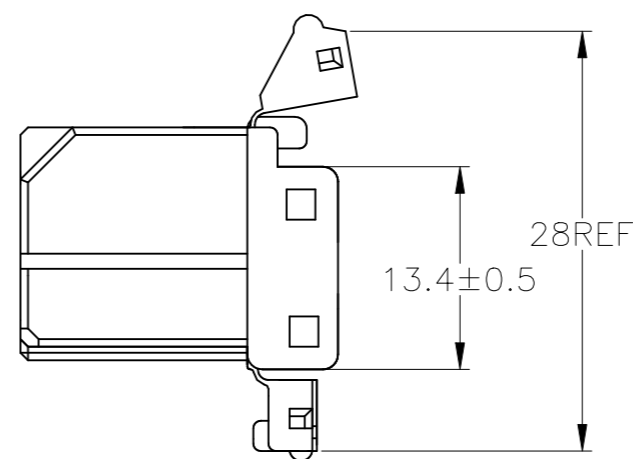
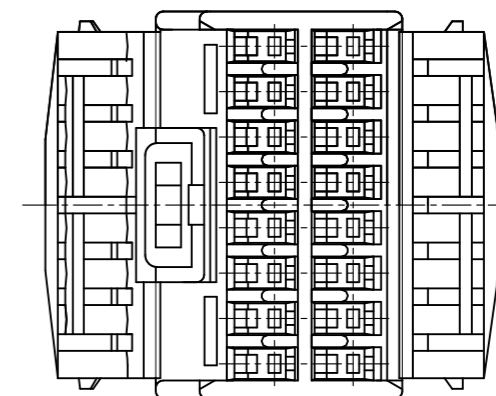
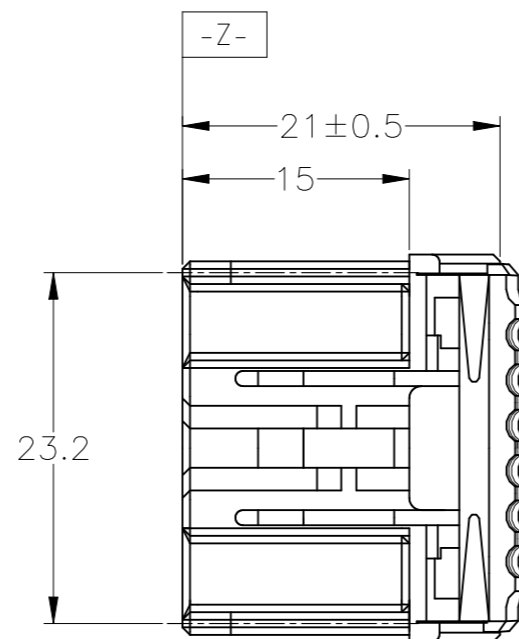
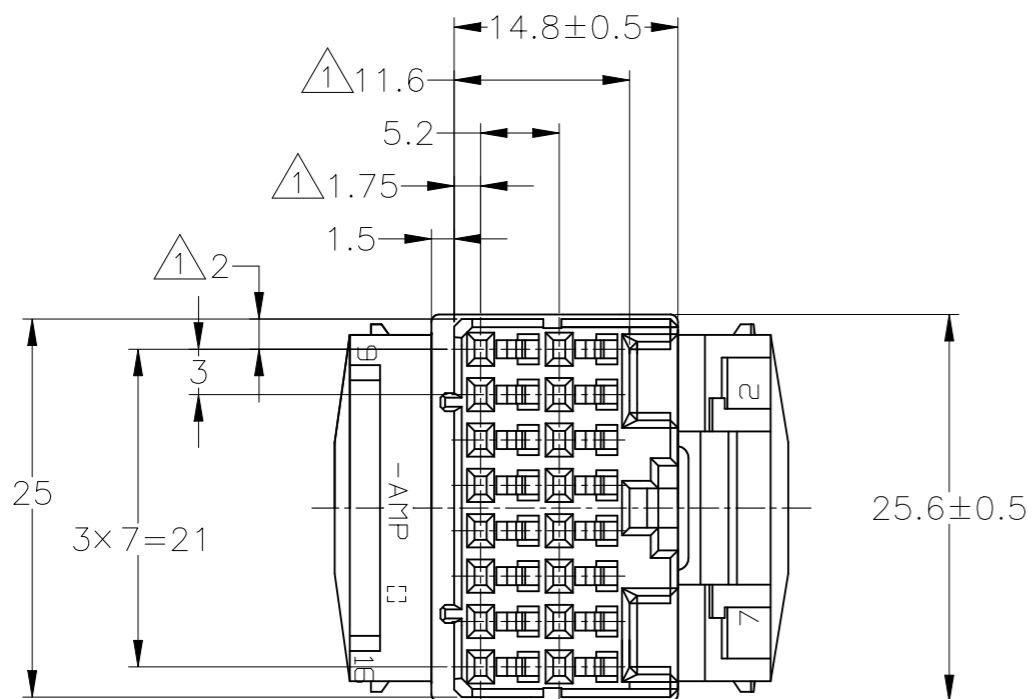


REVISIONS					
P	LTR	DESCRIPTION	DATE	DWN	APVD
B1		REDRAWN W/CHANGE	06SEP10	TS	KB
B2		REVISED PER ECR-22-154840	06DEC2022	RK	MT



- ①. MUST BE KEPT BETWEEN [-Z-] AND 2mm
- 2. THE MATING CAP HOUSING PART NUMBER; 176242
- 3. APPLIED CONTACT PART NUMBER; 173716, 175094
- 4. APPLICABLE PRODUCT SPEC NO. 108-5280

- ①. [-Z-] 面より 2mm の範囲で測定。
- 2. 嵌合相手ハウジング型番; 176242
- 3. 内装するリセプタクルコンタクト型番; 173716, 175094
- 4. 適用製品規格番号; 108-5280

	黄 YELLOW	176243-7
OBSOLETE	灰 GRAY	176243-6
OBSOLETE	青 BLUE	176243-5
	白 WHITE	176243-1
	色 COLOR	PART NUMBER

TOLERANCE UNLESS OTHERWISE SPECIFIED: 一般公差	
0 < x ≤ 10	: ±0.2
10 < x ≤ 30	: ±0.25
30 < x ≤ 100	: ±0.3
ANGLE ; 角度	: ±3°

THIS DRAWING IS A CONTROLLED DOCUMENT.		DWN T.SHINOHARA 06SEP10			
DIMENSIONS: mm		CHK K.BETSUI 06SEP10			
		TOLERANCES UNLESS OTHERWISE SPECIFIED:		APVD K.BETSUI 06SEP10 NAME	
		0 PLC ± - 1 PLC ± - 2 PLC ± - 3 PLC ± - 4 PLC ± - ANGLES ± - FINISH -		PRODUCT SPEC SEE NOTE 4	
MATERIAL PBT		APPLICATION SPEC -		HYBRID I/O CONNECTOR 16 POSITION PLUG HOUSING	
		WEIGHT -		SIZE A3	CAGE CODE 00779
		CUSTOMER DRAWING		DRAWING NO C-176243	RESTRICTED TO -
				SCALE 2:1	SHEET 1 OF 1
				REV B2	