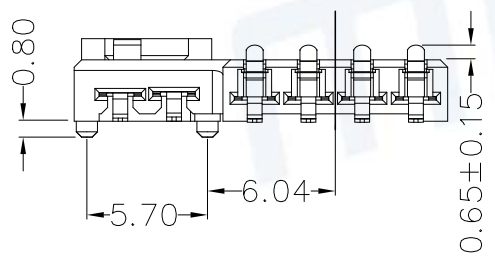
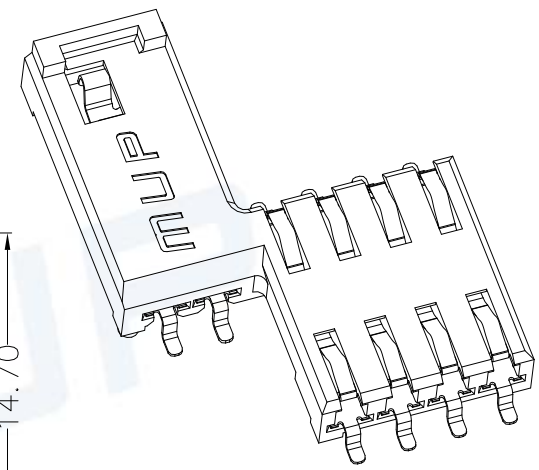
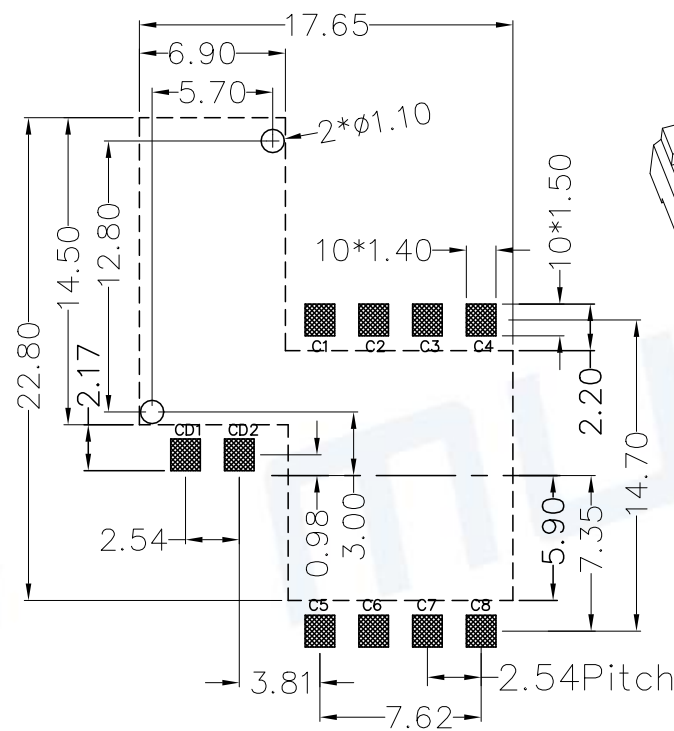
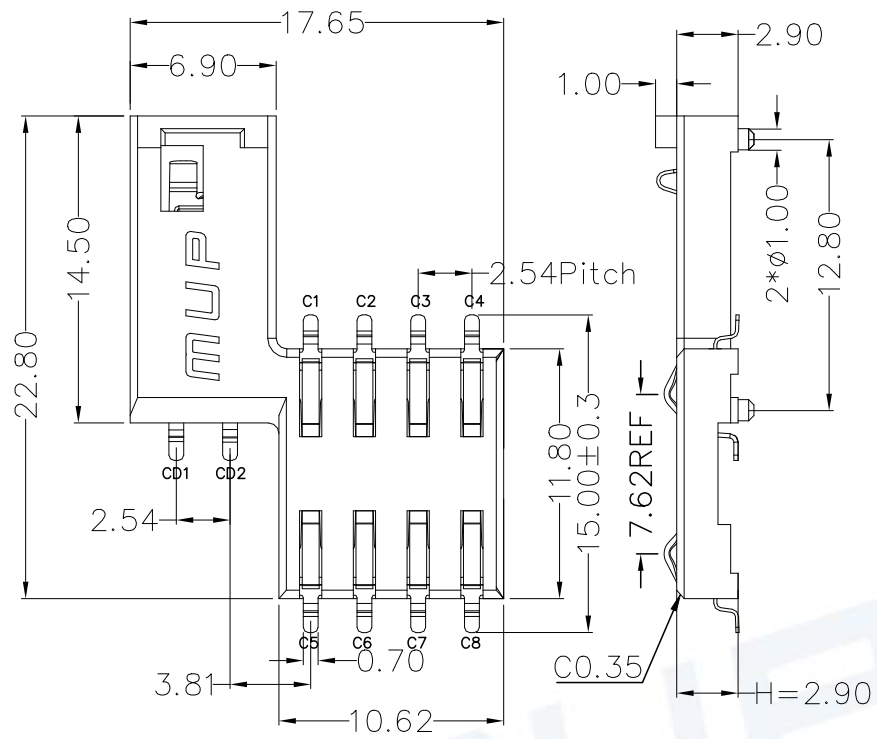


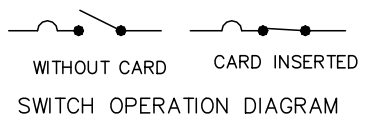
REV.	DESCRIPTION OF REVISIONS	APPR.	CHEC.	DRAW.	DATE
△	NEW			Zoey	2019/02/26
△	Original Model C7305-1			Keyy	2023/10/19



**TECHNICAL CHARACTERISTICS**

- General Characteristics**  
 Dimensions: 22.8LX17.65WX2.9H mm  
 Weight: Approx 0.67±0.1g  
 Durability: 100,000 cycles min. (The height of the bayonet directly affects the service life)
- Electrical Characteristics**  
 Contact resistance: 50mΩ typical, 100mΩ max  
 Insulation resistance: >1000MΩ/500V DC  
 Switch Contact resistance: 100mΩ typical, 200mΩ max  
 Switch Insulation resistance: 100MΩ min
- Solderability**  
 Vapor phase: 215°C.30sec.Max  
 IR reflow: 250°C.5sec.Max  
 Manual soldering: 370°C, 3sec.Max
- Environmental Characteristics**  
 Operating temperature: -40°C~+85°C  
 Operating humidity: 10%~+95%RH

ELECTRIC FUNCTION	DETECT SWITCH
WITHOUT CARD	OPEN
CARD INSERTED	CLOSED



**RECOMMENDED P.C.B LAYOUT**  
**COMPONENT SIDE (TOLERANCE ±0.05)**  
 Coplanarity of metal solder pins 0.15mm  
 Recommending of solder paste thickness > 0.15mm

ITEM	PART NAME	Q'TY	MATERIAL	FINISH
1	BASE	1	Hi-temp Thermoplastic	Black UL94V-0
2	DATA CONTACT	8	Copper Alloy	Contact area: Gold plated
3	SWITCH CONTACT 2	1	Copper Alloy	Contact area: Gold plated
4	SWITCH CONTACT 1	1	Copper Alloy	Contact area: Gold plated

Unless otherwise specified, other tolerance are:  
**MUP** MUP INDUSTRIAL CO.,LTD.

X ±0.45		X* ±5*	NAME: <b>Smart Card Acceptor</b>	
X.X ±0.35		X.X* ±4*	MODEL NO: <b>MUP-C7305-01</b>	
X.XX ±0.25		X.XX* ±3*	TYPE: <b>Normally open H2.90mm</b>	
X.XXX ±0.10		X.XXX* ±2*		
PROJ.	UNIT	SCALE	DRAWN	DWG NO.:
①	mm	1:1	Zoey	2019.02.26
CUSTOMER DRAWING			CHECKED	DWG-C7305-01-01
			APPROVAL	SHEET
			Simon	1/1
			2019.02.26	REVISION
				2

