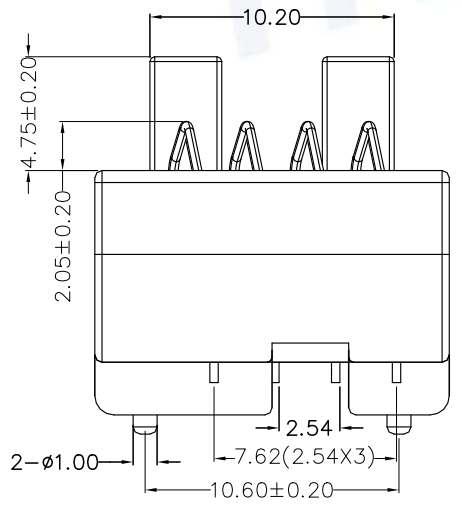
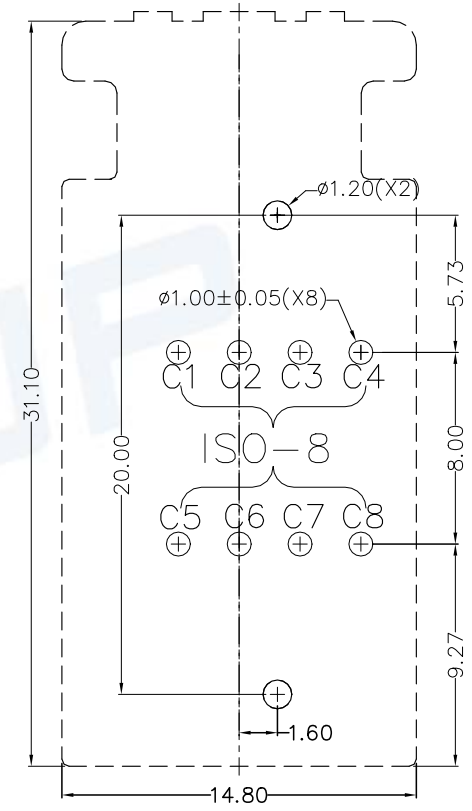
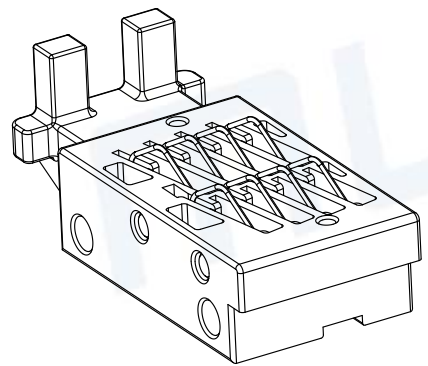
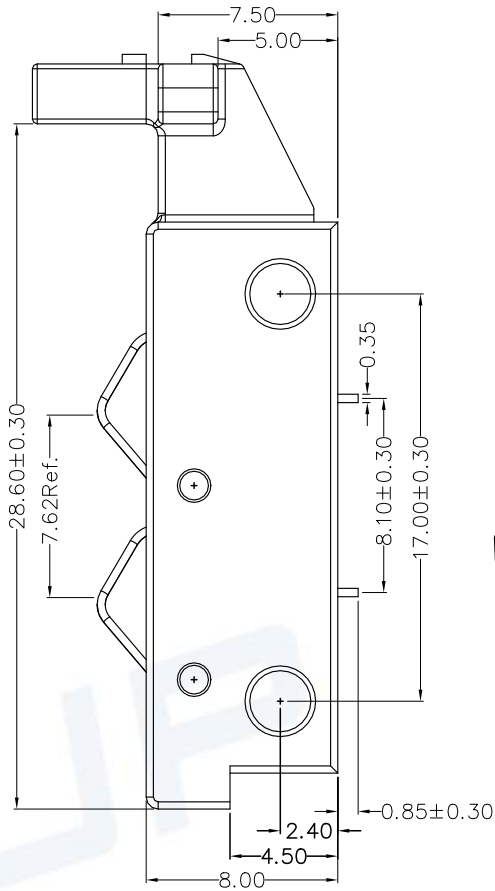
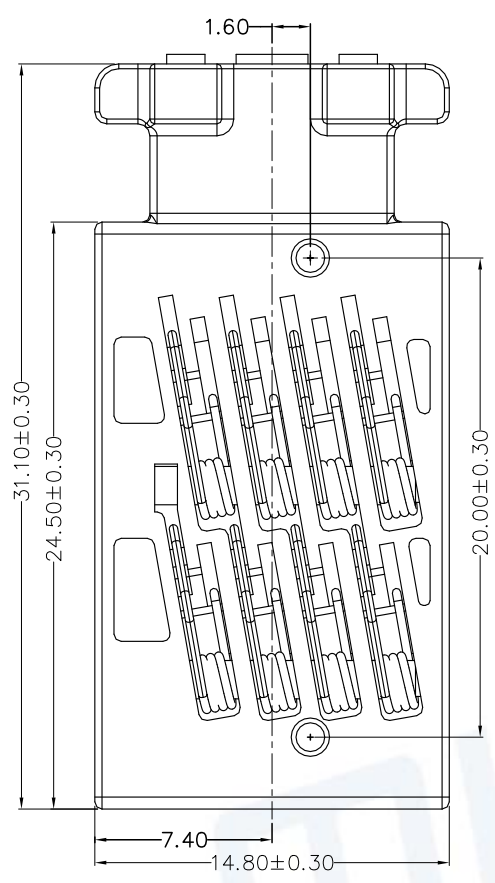


REV.	DESCRIPTION OF REVISIONS	APPR.	CHEC.	DRAW.	DATE
△	NEW			Zoey	2018/09/10
△	Original Model C7304-1			Xufang	2023/12/06



TECHNICAL CHARACTERISTICS

1.General Characteristics
 Dimensions: 31.10LX14.80WX14.95H mm
 Weight: Approx3.10±0.2g
 Durability: 500,000 cycles min.

2.Electrical Characteristics
 Contact resistance: 50mΩ typical, 100mΩ max
 Insulation resistance: >1000MΩ/500V DC

3.Solderability
 Manual soldering : 370°C, 3sec.Max

4.Environmental Characteristics
 Operating temperature: -40°C~+85°C
 Operating humidity: 10%~+95%RH

ITEM	PART NAME	Q'TY	MATERIAL	FINISH
1	HOUSING	1	Hi-temp Thermoplastic	Black UL94V-0
2	BOLT	1	PPS	Black UL94V-0
3	DATA CONTACT	8	Copper Alloy	Contact area:Gold plated

Unless otherwise specified, other tolerance are:

X ±0.35	X* ±5°	MUP [®] MUP INDUSTRIAL CO.,LTD. Smart Card Connector MUP-C7304-01 without post(DIP)
X.X ±0.25	X.X* ±4°	
X.XX ±0.15	X.XX* ±3°	
X.XXX ±0.10	X.XXX* ±2°	

NAME: **Smart Card Connector**
 MODEL NO: **MUP-C7304-01**
 TYPE: **without post(DIP)**

PROJ.	UNIT	SCALE	DRAWN	Zoey Sep.10.2018	DWG NO.:	DWG-C7304-01-01	
APPROVAL	CUSTOMER DRAWING	mm	1:1	Checked	Jimmy Sep.10.2018	SHEET	1/1
				APPROVAL	Simon Sep.12.2018	REVISION	2

